



Grand Piano Carrier CGP-III

Safety Guide

Thank you for purchasing the Yamaha grand piano carrier.
Before using the carrier, please read this guide thoroughly and retain it for future reference.

Safety Instructions

Please read carefully before using the carrier, and always follow the basic precautions listed below.

■ Using the carrier safely

Please be careful to use the carrier safely.

- * Moving a grand piano is very dangerous and should only be done by adults.
- * Do not allow children to go near a grand piano when moving it.

■ Warnings and cautions

The classifications "WARNING" and "CAUTION" are used throughout this guide to indicate the degree and urgency of injury and damage that could occur as a result of incorrect handling of this piano. Read this information carefully in order to use your piano safely.



WARNING

Incorrect handling could result in a life-threatening accident or serious injury up to death.



CAUTION

Incorrect handling could result in minor injury or damage.

 **WARNING**

■ Operation of the carrier

- **Do not raise the piano, exceeding the range of 1 to 2 cm (0.4 to 0.8 in.) from the floor.**
Raising the grand piano too high may cause it to become unstable, and cause unexpected accidents or injury.
- **Do not leave items on top of the carrier.**
Such items may fall and cause breakage or injury.
- **Follow the directions for using the carrier. 2 or 3 adults should use both hands to operate it slowly and smoothly.**
Take care not to catch your hands, fingers, and feet or those of other people, in the mechanism of the carrier when using it.

■ Move of the piano

- **Do not place hands or feet in the moving parts of the carrier.**
Internal parts may rotate, injuring hands, fingers, or feet.
- **Do not place feet near the casters of the piano and the carrier, or the pedals of the piano.**
Doing so may cause injury on feet.
- **Be sure to have 2 to 3 adults move the piano. Use both hands to move it slowly and smoothly.**
Grand pianos are very heavy, weighing more than 300 kg (660 lbs). Small children cannot perform this operation. Attempting to have them do so may result in a serious accident. Make sure that there are no children around the piano when moving it.
- **Be careful when moving the piano on the uneven surface or the slope.**
The carrier may become unbalanced and cause the piano to tumble.

■ Cautions regarding use of the carrier

- **Do not play on or around the carrier.**
Do not allow children to climb on the carrier, or play underneath the carrier. Otherwise, they could slide off, hit their head, and be seriously injured.
- **Do not lean or sit on the piano carrier.**
The carrier may tumble or move unexpectedly, causing injury.
- **In the event of an earthquake, stay away from the carrier.**
The strong jolts of an earthquake may cause the carrier to move or tumble, causing damage or loss to part or all of it.
- **Use the carrier on a level surface.**
Using the carrier on a non-level surface may cause it to become unstable, unbalanced, or move unexpectedly.
- **Store the carrier on a flat and durable surface.**
Fasten the locks on the casters when storing the carrier. A loose lock may cause the carrier to become unstable, unbalanced, or move unexpectedly.

■ Disassemble of the carrier

- **Do not touch or modify the internal parts of the carrier.**
Such actions may damage or impair the functioning of the carrier and cause a serious accident.

 **CAUTION**

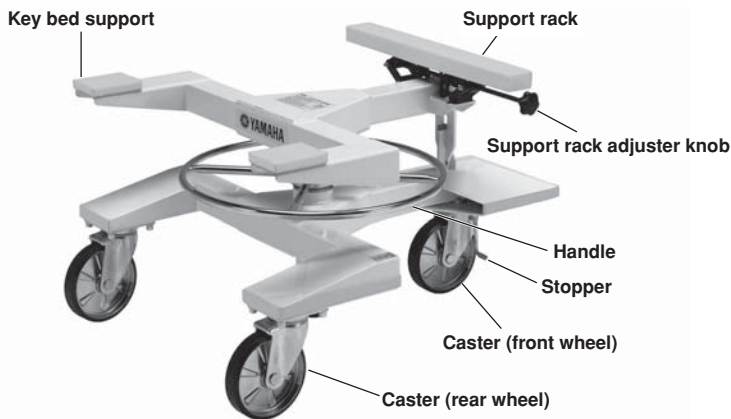
■ Move of the piano

- **Do not leave items on top of a grand piano when moving it.**
Such items may fall and cause breakage or injury.
- **Be sure to close top lid before attempting to move a grand piano.**
The lid may fall down while moving, causing injury.
- **Remove a piano cover when moving a grand piano.**
The piano cover may be caught in the caster of the carrier while moving.

■ Cautions regarding use of the carrier

- **Do not store the grand piano while it is raised.**
Doing so places a load on the grand piano and may cause faults or flaws in it. Moreover, the piano carrier may move and cause a serious accident.
- **Do not use the carrier if the screws are loose.**
The parts of the carrier may come off. If you find any problems, consult your Yamaha piano dealer.
- **Store the carrier in a location out of sight of small children.**
A sudden accident may occur, causing small children to get injured.

Names of Parts and Their Functions



Support rack

Supports the bracing.

Key bed support

Supports the key bed.

Support rack adjuster knob

Adjusts the height of the support after you have supported the key bed.

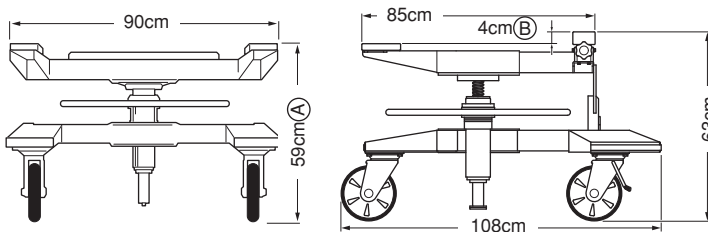
Handle

Raises the key bed support and the support rack.

Stopper

Locks the front wheel of the caster.

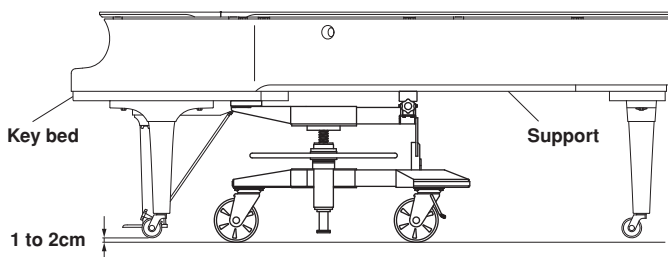
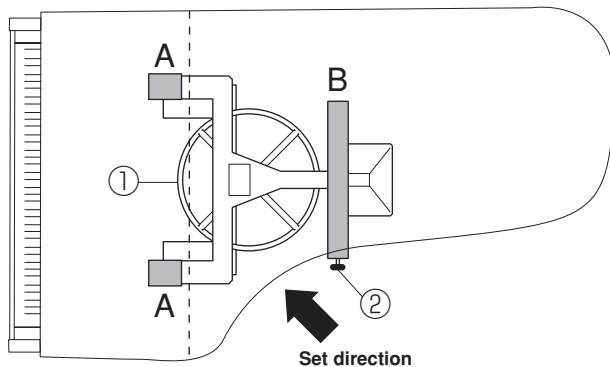
Specifications



You can raise height (A) indicated above a maximum of 11 cm (4.3 in.).
 You can raise height (B) indicated above a maximum of 5 cm (2 in.).

Applicable Models.....Yamaha grand pianos size C2 and above, C6 and above for playback grands (You cannot use this carrier with S4 playback grands)
 Weight.....93 kg (205 lbs)
 Length..... 108 cm (42.5 in.)
 Lifting Range..... 11 cm (4.3 in.)
 Difference between key bed support and support rack 4 to 9 cm (1.6 to 3.5 in.)
 Wheel..... Urethane rubber caster (free-moving) (includes front wheel stopper)

How to Handle



- 1** Turn handle ① and the support rack adjuster knob ② so that the key bed supports (A) and support rack (B) are at their lowest setting. Paying attention to the components on the underside of the key bed, set the support rack in place from the direction indicated by the arrow (➡).
 * When transporting playback grands, set the piano carrier under the grand piano so that the cords on the underside of the key bed are not caught between the grand piano and the carrier.
- 2** Rotate ① until (A) comes into contact with the grand piano key bed, then rotate ② until (B) is also in contact with the piano.
- 3** Rotate ① in the direction marked "UP" until the piano is 1 to 2 cm above the floor.
 Now check that the three legs of the grand piano are being raised off the floor simultaneously. If they are not, return to step 1.
- 4** Have 2 to 3 people place their hands under the body of the grand piano, and move it.
 * When moving the grand piano, be careful of any bumps on the floor or variations in its height. Do not place feet near the casters of the piano and the carrier, or the pedals of the piano.
 * After moving the grand piano, perform steps 1 to 3 in reverse order, and remove the piano carrier.
 * When storing the piano carrier, use the stoppers, and lock the front caster so that the piano carrier cannot move. Do not store the piano carrier vertically.
 * You may need to set the piano carrier at an angle of the grand piano to raise the three legs simultaneously, depending on the model of the grand piano you are transporting.

