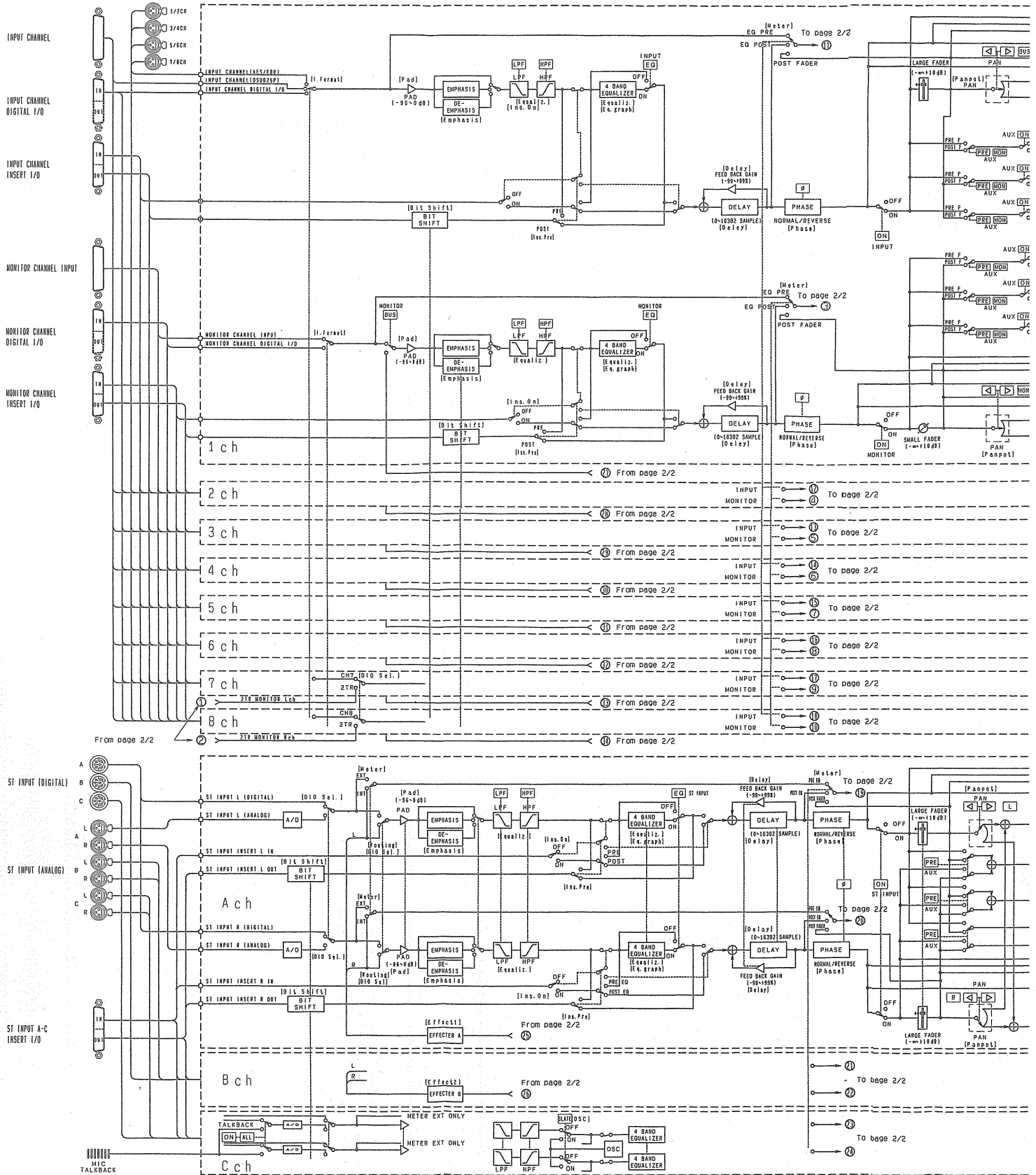


# Block Diagram (1/2)

# Schéma de principe (1/2)

# Blockschaltbild (1/2)

Note 1: Digital audio formats are not shown.  
2: Parameter names enclosed in brackets such as [Balance] refer to the LCD function where that parameter can be set.  
3: Names that appear in a box as [PRE] indicate console keys.



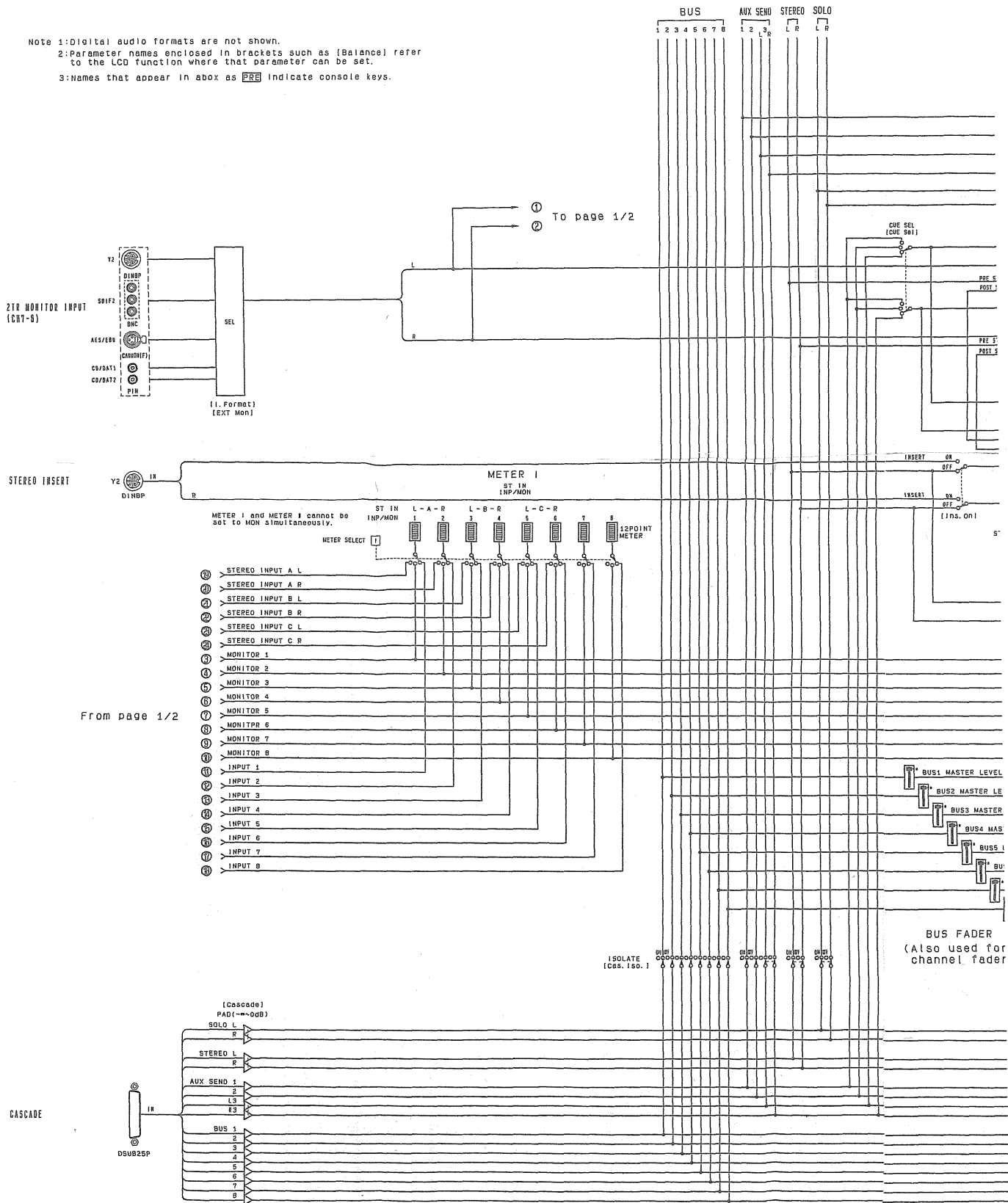


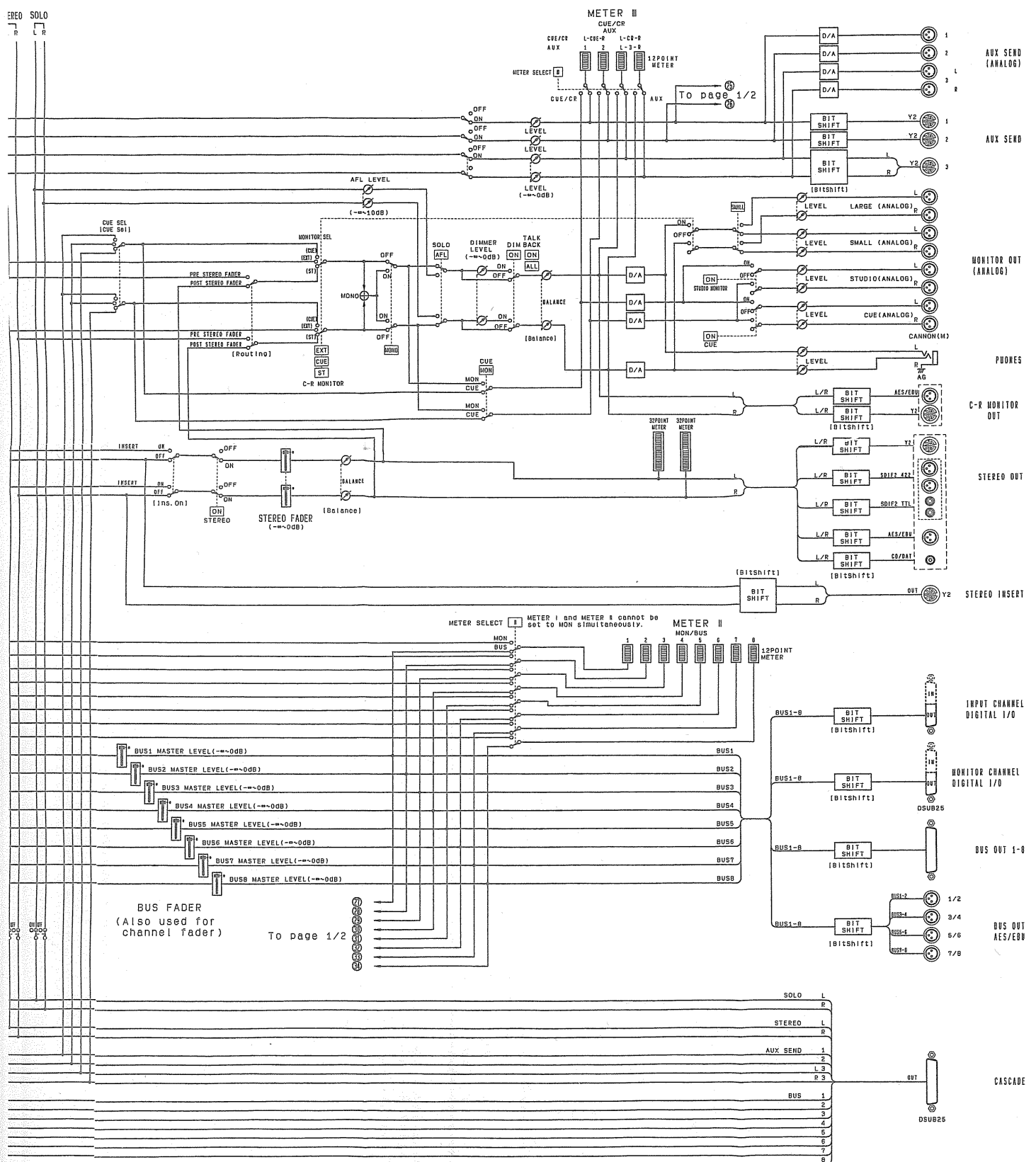
# Block Diagram (2/2)

## Schéma de principe (2/2)

### Blockschaltbild (2/2)

Note 1: Digital audio formats are not shown.  
 2: Parameter names enclosed in brackets such as [Balance] refer to the LCD function where that parameter can be set.  
 3: Names that appear in a box as **PRE** indicate console keys.





METER I and METER II cannot be set to MON simultaneously.

BUS FADER  
(Also used for channel fader)

To page 1/2

