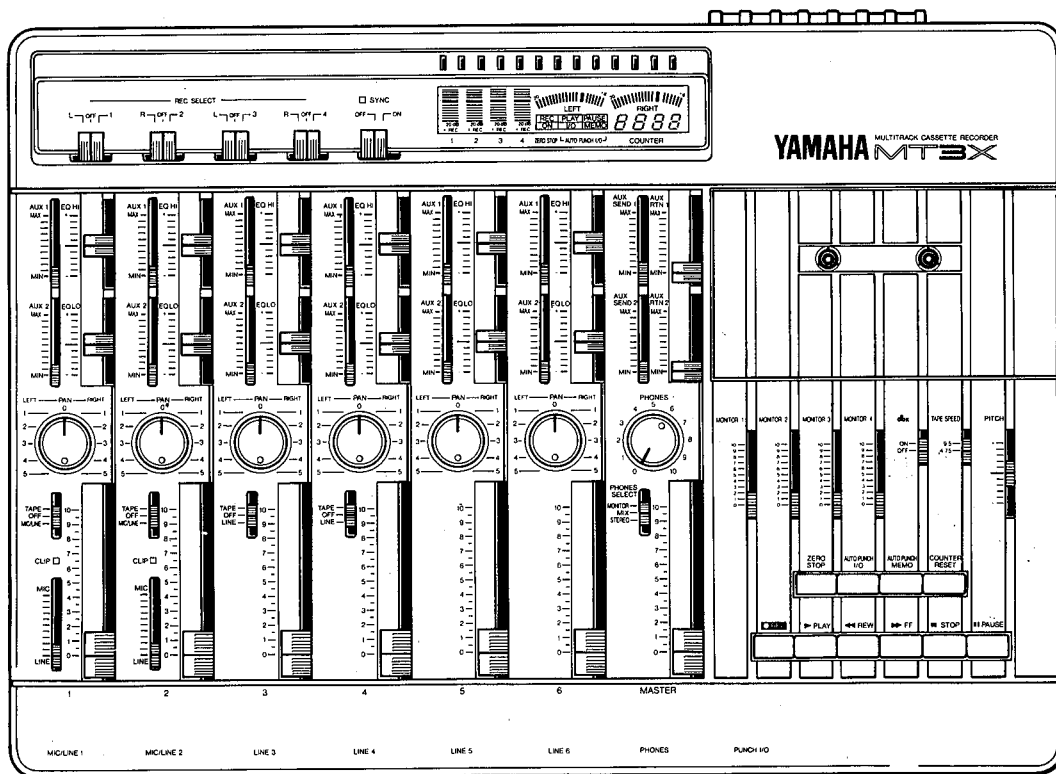


# YAMAHA

## MULTITRACK CASSETTE RECORDER ENREGISTREUR DE CASSETTE MULTIPISTE MEHRSPUR-KASSETTENDECK

# MT3X

### OPERATION MANUAL MANUEL D'INSTRUCTIONS BEDIENUNGSANLEITUNG



# CONGRATULATIONS!

*Your MT3X Multitrack Cassette Recorder is a fine creative tool that will enable you to work with sound in many ways. Whether you need to record acoustic instruments or voice using microphones, electronic instruments and sources via direct line, or a creative blend of the two, the MT3X makes the process of building up your own sound extraordinarily smooth and simple. You can simply record and remix four tracks, or use the multitrack "ping-pong" recording technique to individually record up to ten independent parts — adding sound layer by layer until you create exactly the arrangement and texture your imagination demands. There's even a sophisticated auto punch-in/out feature that lets you re-record a section of a previously recorded track with automated convenience. The MT3X is just as easy to use alone or with a band. And, because it's a YAMAHA, you know that the MT3X will give you the very finest sound quality and overall performance available.*

*In order to make use of the MT3X's many features and obtain maximum performance, we urge you to read this operation manual thoroughly — and keep it in a safe place for later reference.*

---

## CONTENTS

---

PRECAUTIONS .....	2
BEFORE OPERATION .....	3
THE CONTROLS AND CONNECTORS .....	5
CONNECTION EXAMPLES .....	13
THE RECORDING PROCESS .....	14
RECORDING THE FIRST TRACK .....	15
STEP 1: CHANNEL-TO-TRACK ASSIGNMENT .....	15
STEP 2: MONITOR SETUP .....	16
STEP 3: SETTING RECORDING LEVELS .....	17
STEP 4: RECORD .....	17
OVERDUBBING .....	18
PING-PONG RECORDING .....	19
A PING-PONG RECORDING EXAMPLE .....	20
MIXDOWN .....	21
USING THE AUX SEND/RTN LOOPS .....	22
PUNCH-IN/OUT RECORDING .....	23
Manual Punch-in/out Using the REC SELECT Switches .....	23
Footswitch Punch-in/out .....	23
Automatic Punch-in/out .....	24
MIDI SYNC OPERATION .....	25
MAINTENANCE .....	26
SPECIFICATIONS .....	27
BLOCK DIAGRAM .....	28

# PRECAUTIONS

## 1. AVOID EXCESSIVE HEAT, HUMIDITY, DUST AND VIBRATION

Keep the unit away from locations where it is likely to be exposed to high temperatures or humidity — such as near radiators, stoves, etc. Also avoid locations which are subject to excessive dust accumulation or vibration which could cause mechanical damage.

## 2. AVOID PHYSICAL SHOCKS

Strong physical shocks to the unit can cause damage. Handle it with care.

## 3. DO NOT OPEN THE CASE OR ATTEMPT REPAIRS OR MODIFICATIONS YOURSELF

This product contains no user-serviceable parts. Refer all maintenance to qualified YAMAHA service personnel. Opening the case and/or tampering with the internal circuitry will void the warranty.

## 4. MAKE SURE POWER IS OFF BEFORE MAKING OR REMOVING CONNECTIONS

Always turn the power OFF prior to connecting or disconnecting cables. This is important to prevent damage to the unit itself as well as other connected equipment.

## 5. HANDLE CABLES CAREFULLY

Always plug and unplug cables — including the AC cord — by gripping the connector, not the cord.

## 6. CLEAN WITH A SOFT DRY CLOTH

Never use solvents such as benzine or thinner to clean the unit. Wipe clean with a soft, dry cloth.

## 7. ALWAYS USE THE CORRECT POWER SUPPLY

The MT3X is sold with the appropriate power specifications for the local area (power supply voltage and power consumption are listed on the bottom panel). If you move to a different area that might have a different AC mains voltage, however, be sure to check with your nearest YAMAHA dealer before using your MT3X.

## 8. KEEP THE HEADS AND TAPE PATH CLEAN

To ensure consistent high performance and sound quality from your MT3X, it is important to clean the head and tape path regularly (ideally before each recording session). To do this, use a cleaning kit specifically designed for use with cassette tape equipment.

## 9. USE ONLY HIGH-QUALITY CHROME CASSETTE TAPE

The MT3X is designed for use with CrO<sub>2</sub> (chrome) formulation tape, and will not provide proper performance with any other type of tape. Always choose cassette tapes from a reliable manufacturer.

### FCC CERTIFICATION (USA)

This equipment generates and uses radio frequency energy and if not installed and used properly, that is, in strict accordance with the manufacturer's instructions, may cause interference to radio and television reception. It has been type tested and found to comply with the limits for a Class B computing device in accordance with the specifications in Subpart J of Part 15 of FCC Rules, which are designed to provide reasonable protection against such interference in a residential installation. However, there is no guarantee that interference will not occur in a particular installation. If this equipment does cause interference to radio or television reception, which can be determined by turning the equipment off and on, the user is encouraged to try to correct the interference by one or more of the

following measures:

Reorient the receiving antenna.

Relocate the computer with respect to the receiver.

Move the computer away from the receiver.

Plug the computer into a different outlet so that computer and receiver are on different branch circuits.

If necessary, the user should consult the dealer or an experienced radio/television technician for additional suggestions. The user may find the following booklet prepared by the Federal Communications Commission helpful;

"How to identify and Resolve Radio-TV interference problem". This booklet is available from the U.S. Government Printing Office, Washington, DC 20402, Stock No. 004-000-00345-4.

This information on safety is provided to comply with U.S.A. laws, but should be observed by users in all countries.

# BEFORE OPERATION

## ■ THE DIFFERENCE BETWEEN TRACKS AND CHANNELS

The words "track" and "channel" are often confused. In order to properly operate this unit, it is necessary to understand the meanings of these terms.

### TRACK:

The "band" on the tape itself where a certain signal is recorded. The tape inside a cassette has four different tracks, enabling the recording of four distinct signals. For conventional recordings, there are two tracks (stereo left and right) on each of the tape.

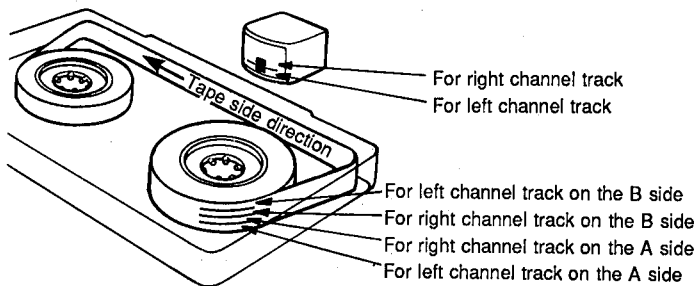
### CHANNEL:

The route of a signal input or output. In the input side, this unit has six INPUT channels and two AUX channels. The output side consists of one stereo channel (made up of two mono channels) and an AUX channel.

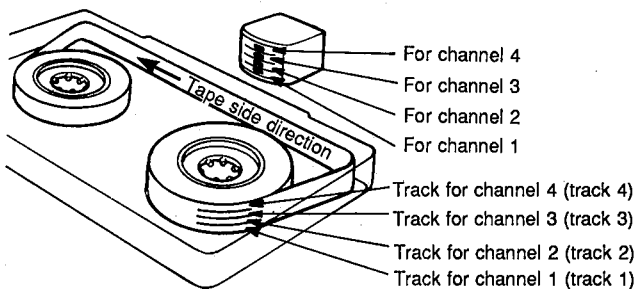
## ■ WHAT IS A MULTITRACK CASSETTE RECORDER ?

The difference between the MT3X multitrack cassette recorder and a conventional stereo cassette deck is shown below.

### CONVENTIONAL STEREO CASSETTE DECK



### MT3X MULTITRACK CASSETTE RECORDER



The diagram shows how a conventional stereo cassette deck records and plays back music. The four tracks on a cassette tape represent the left and right (for stereo) sound for each side of the tape. The MT3X uses these four tracks for single-direction recording and playback on only one side of a cassette tape.

Conventional stereo cassette recorders always record and play back in the same mode, with the tape side (direction) determining which two tracks will be used. These recorders do not allow separate selection of tracks for recording and playback.

Multitrack recorders, however, allow you to record or playback tracks separately as you choose. This enables a degree of recording and playback freedom not possible with conventional cassette recorders.



## ■ ABOUT CASSETTE TAPES

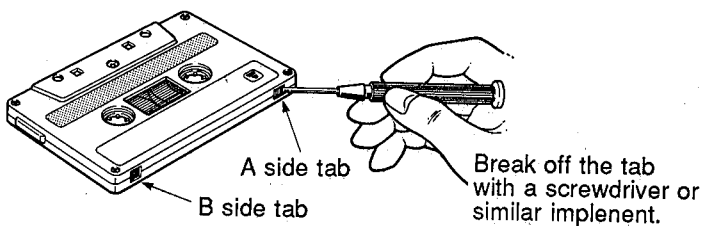
This unit is designed to be used **only with Chromeposition tape**, and will not work properly with Ferrichrome tape formulations. CrO<sub>2</sub> tape (Bias: HIGH; EQ: 70μs) should be used. Also, the use of C-120 tapes is not recommended because they exhibit poorer performance, and can be the cause of equipment failure.

### ● Preventing accidental erasure of recordings

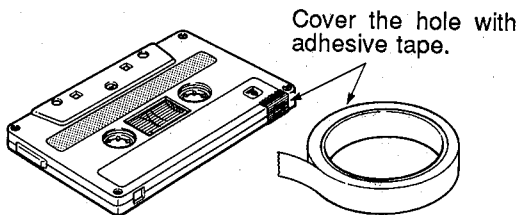
To keep from inadvertently erasing a prized recording, all cassette tapes have record protection tabs along the top edge of the cassette shell. If this tab is broken out using a screwdriver or any other appropriate implement, it will not be possible to record on the corresponding side of the tape. This will protect your recordings from accidental erasure. For 4-track recording, it's necessary to break out the tabs for both the A and B sides of the tape.

When you'd like to record over a tape with the tabs broken out, just cover the holes (where the tabs were) with tape.

### ● PREVENTING ACCIDENTAL TAPE ERASURE:

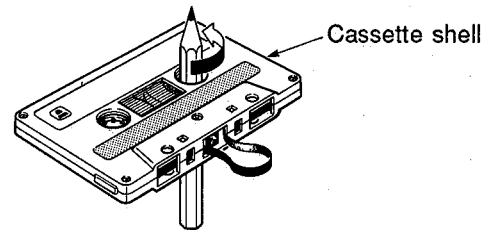


### ● RECORDING OVER A TAPE WITH THE TABS BROKEN OUT:



### ● Taking up tape slack

If the tape is used when it is slack, or some portion of the tape is out of the cassette shell, there is a risk it may become tangled around the capstan or pinchroller. In order to correct this, insert a pencil or ballpoint pen into the center of one reel, and rotate to take up loose tape slack.

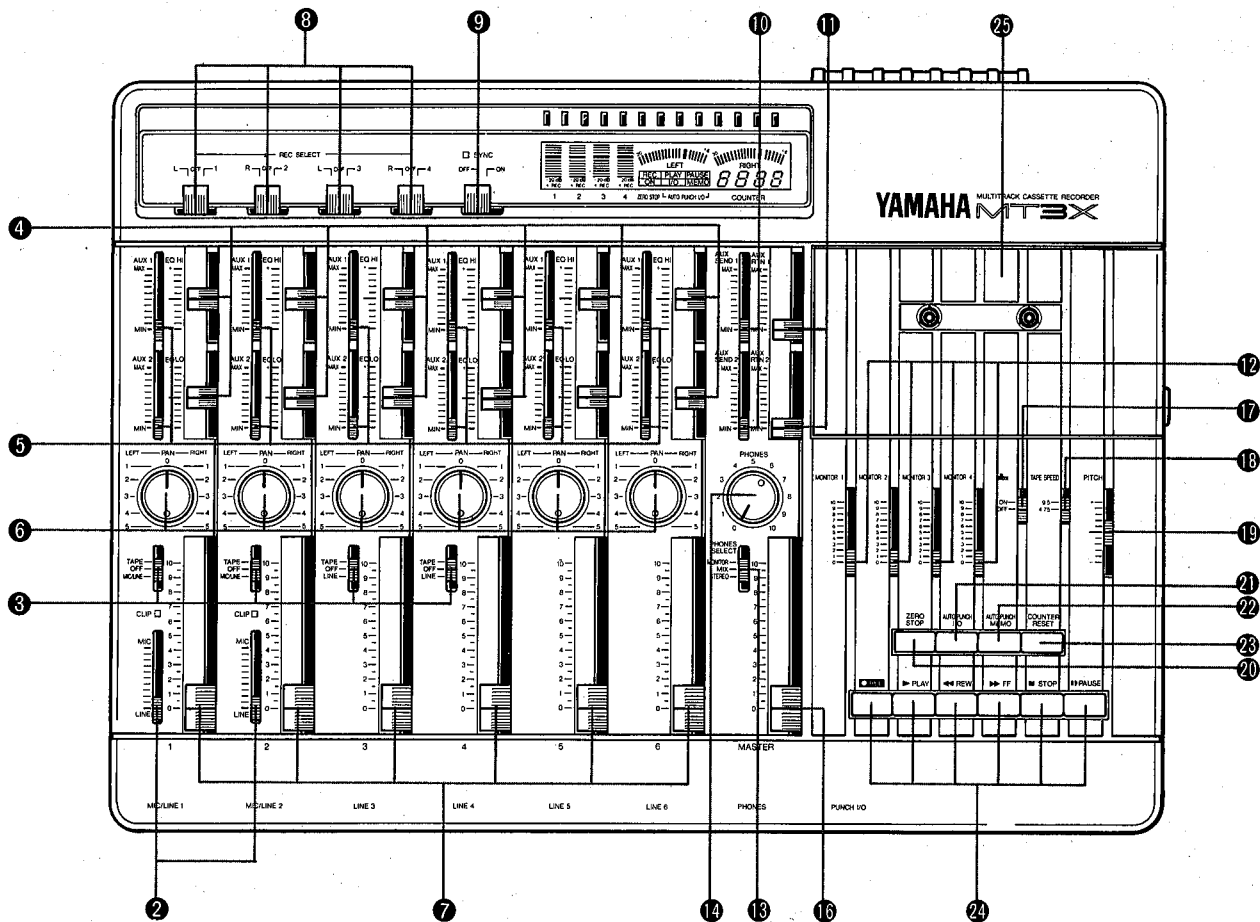


### ● Storing cassette tapes

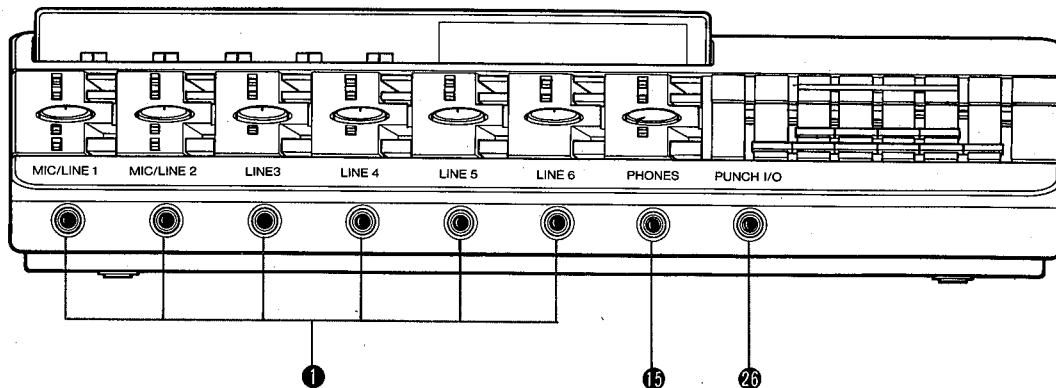
To prevent tape slack, fit a stopper into the tape or keep tapes in their cases. Do not store tapes in direct sunlight, or in places with high heat or humidity, as this may damage the tapes. Also, keep the tapes away from magnetic fields, such as near televisions or speakers, because the recordings can be erased or sonically altered to some degree.

# THE CONTROLS AND CONNECTORS

## — CONTROL PANEL —



## — FRONT PANEL —



## CHANNELS AND TRACKS

The terms "channel" and "track" are used in this operation manual to differentiate between the MT3X mixer section's six "channels" and the recorder section's four "tracks." "Track" is also used when referring to the four "tracks" actually recorded on the tape.

## MIXER INPUT CHANNELS

### ① Input Jacks 1 — 6

These six input jacks (MIC/LINE 1, MIC/LINE 2 and LINE 3 through LINE 6) accept signals from any line-level source such as an electronic musical instrument or a tape player. MIC/LINE jacks 1 and 2 also accept signals from electric musical instruments such as electric guitars and basses, or microphones. Inputs 1 through 6 are standard monaural 1/4" phone jacks. When a source is plugged into one of these jacks, its signal is sent to the corresponding channel of the MT3X's mixer.

### ② MIC/LINE Trim Controls (Channels 1 and 2 only)

The trim controls adjust the sensitivity of the channel-1 and channel-2 inputs to accept a wide range of signal levels — from line to microphone. The trim controls are used in conjunction with the channel-1 and channel-2 faders to set the optimum recording level with a wide range of sources (see "SETTING RECORDING LEVELS" on page 17).

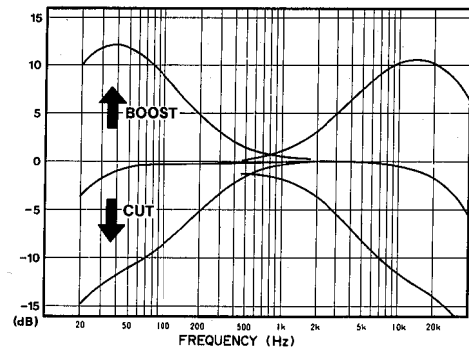
### ③ TAPE-OFF-MIC/LINE (TAPE-OFF-LINE) Selector (Channels 1 through 4 only)

These selectors determine whether the input to the corresponding mixer channel is the output from the correspondingly numbered track of the MT3X recorder section, or the channel MIC/LINE or LINE input. The OFF position turns the input to that channel OFF. Channels 5 and 6 accept line-level input only.

### ④ EQ LO & HI Controls

These controls permit individually modifying the response of each channel. The HI and LO EQ controls function as follows:

Control	Range	Freq.	Type
HI	±12 dB	10 kHz	Shelving
LO	±12 dB	100 Hz	Shelving



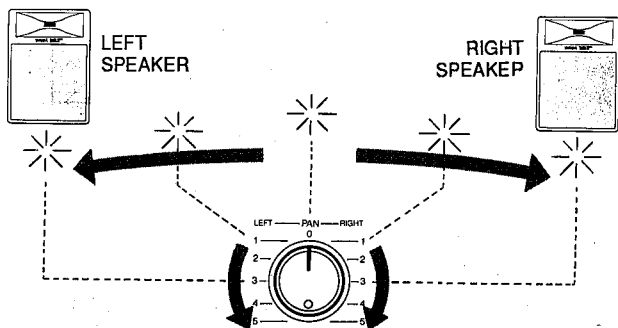
### ⑤ AUX 1 and AUX 2 Controls

The AUX controls are used primarily when adding effects such as reverberation or delays to the sound of each channel or track. The AUX 1 and AUX 2 controls on each mixer channel determine the amount of signal from that channel sent to the AUX SND 1 or AUX SND 2 jack, respectively. The AUX SND jacks can be connected to the input of an external signal processor such as the YAMAHA SPX900 Professional Multi-Effect Processor (see "USING THE AUX SEND/RTN LOOPS" on page 22).

## 6 PAN Controls

The PAN controls assign the signal from the corresponding mixer channel to any desired position in the "stereo sound field." If a PAN control is set to the maximum "LEFT" position, the signal from that channel will appear only at the left-channel MT3X output (ST OUT L). If the PAN control is set fully RIGHT, the signal will appear only at the ST OUT R output jack. If a PAN control is set to its center position, then the signal from that channel will appear equally at both the left- and right-channel outputs, and the sound will appear at the center of the stereo sound field (at a point midway between the two stereo speakers). Other PAN control settings place the sound at positions roughly corresponding to the PAN control setting by varying the level of the signal sent to the left- and right-channel outputs.

The PAN controls can also be used during recording to assign the signal from several channels to a single track of the recorder section, or to assign a channel to a differently-numbered recorder track (see "CHANNEL-TO-TRACK ASSIGNMENT" on page 15).



## 7 Channel Faders

The channel faders are used to adjust the level (volume) of the corresponding mixer channel's signal, whether it comes from a source plugged into an input jack or from the MT3X's recorder section. The faders are used to set up the optimum levels when recording, and to balance (mix) the sound from the recorder's tracks when playing back a recording.

## 8 REC SELECT Switches

The REC SELECT switches are used when recording to assign (send) the signal from each mixer channel either directly to the corresponding track of the recorder or to a different track via the PAN controls (see "CHANNEL-TO-TRACK ASSIGNMENT" on page 15).

### NOTE:

When any of the REC SELECT switches are set to a position other than OFF, the red "● REC" indicator below the corresponding channel's bar-graph level meter (see "CENTRAL DISPLAY PANEL" on page 11) will flash, indicating that the MT3X is set up to record.

## 9 SYNC Switch

When the SYNC switch is turned ON (the SYNC indicator will light), the input and output to and from track 4 of the MT3X recorder are diverted to the rear-panel SYNC IN and OUT jacks. The SYNC IN and OUT jacks can be connected to the corresponding input and output of an external MIDI converter unit such as the YAMAHA YMC-10, allowing MIDI sequence recorders, rhythm programmers, computers or similar equipment to be synchronized to playback of the MT3X.

### MIXER MASTER SECTION

#### ⑩ AUX SEND 1 and AUX SEND 2 Controls

These adjust the overall output level of the AUX 1 and AUX 2 "mixes" set up using the corresponding channel AUX controls. AUX SEND 1 sets the overall level of the AUX 1 mix signal appearing at the AUX SND 1 jack, and AUX SND 2 sets the overall level of the AUX 2 mix signal appearing at the AUX SND 2 jack. These controls should be used to optimally match the AUX SND output level of the mixer to the input sensitivity of the external signal processing device used.

#### ⑪ AUX RTN 1 and AUX RTN 2 Controls

The AUX RTN 1 and AUX RTN 2 controls determine the level at which the signal from an external signal processor fed by the corresponding AUX SND jack is returned and mixed in with the MT3X's main stereo output signal. The output from an external signal processor fed by the AUX SND 1 or AUX SND 2 jack must be connected to the AUX RTN 1 (L/R) or AUX RTN 2 (L/R) jacks (see "USING THE AUX SEND/RTN LOOPS" on page 22).

#### ⑫ MONITOR Controls

The four MONITOR controls determine the level of the signal from the corresponding recorder tracks which is sent to the PHONES jack when the PHONES SELECT switch is set to either "MONITOR" or "MIX." The MONITOR controls are primarily used to set up the optimum levels for monitoring recorded tracks while recording new material (overdubbing).

#### ⑬ PHONES SELECT Switch

The MT3X permits convenient headphone monitoring via a pair of headphones plugged into the PHONES jack. The PHONES SELECT switch determines which signals are sent to the PHONES jack for monitoring.

**MONITOR:** In this position only the output from the recorder's four tracks is sent directly to the PHONES jack via the four MONITOR controls.

**MIX:** Both the output from the recorder's four tracks (via the MONITOR controls) and the stereo

output from the mixer section are sent to the PHONES jack.

**STEREO:** Only the stereo output from the mixer section is sent to the PHONES jack.

#### ⑭ PHONES Control

The PHONES control adjusts both the level of the headphone signal appearing at the PHONES jack and the level of the signal appearing at the rear-panel MONITOR OUT jacks, making it simple to set the most comfortable monitoring level.

#### ⑮ PHONES Jack

Any pair of stereo monitor headphones with an impedance of between approximately 8 and 40 ohms can be plugged into this jack. Headphone monitoring is the most convenient way to listen to the MT3X's various signals, and we recommend that you obtain a pair of high-quality monitoring headphones for this purpose. The YAMAHA RH-series Monitor Headphones are ideal.

#### ⑯ MASTER Fader

The MASTER fader sets the overall output level of the MT3X mixer section, and thus the level of the output signal appearing at the ST OUT jacks. The MASTER fader also affects recording level when any of the mixer section's channels are assigned to the recorder's tracks via the PAN controls (see "SETTING RECORDING LEVELS" on page 17).

## MULTITRACK RECORDER SECTION

### 17 dbx ON/OFF Switch

The dbx switch determines whether the MT3X's internal dbx noise reduction system is ON or OFF. For normal recording and playback using the MT3X, the dbx switch should be turned ON. This provides a significantly improved signal-to-noise ratio (as much as 85 dB) so your recordings will sound cleaner and have much less tape hiss. For dbx noise reduction to be effective, it must be turned ON both during recording and playback. The dbx switch may be turned OFF when playing back tapes that were recorded on other equipment and which are **not** dbx-encoded.

### 18 TAPE SPEED Switch

The TAPE SPEED switch selects either the standard 4.75-cm/sec cassette tape speed, or the MT3X's special 9.5-cm/sec high tape speed. Use the standard (4.75) speed when replaying tapes recorded on standard cassette recorders, or to obtain maximum tape economy. When you want maximum sound quality, use the high (9.5) tape speed. The improvement in sound quality provided by the high tape speed is significant, and we recommend that you use the high speed for all important recordings.

### 19 PITCH Control

The PITCH control varies tape speed by  $\pm 10\%$ , making it possible to "tune" material recorded on the MT3X to match the pitch of musical instruments, or to slightly lengthen or shorten the running time of a recording to meet specific timing requirements. Tape speed is normal when the PITCH control is set to its center click-stop position. Tape speed is increased by sliding the control towards the "+" end of the scale, and decreased by sliding the control towards the "-" end of the scale.

### 20 ZERO STOP Button

The ZERO STOP button provides a fast, easy way to locate a specific location on the tape. This is particularly handy in multitrack recording, since it is necessary to repeatedly rewind the tape to the same point to record overdubs (i.e. record a new track while monitoring previously recorded tracks).

To use the ZERO STOP function, set the tape counter (below) to "0000" at the point you wish to locate by pressing the COUNTER RESET button. Then, with the ZERO STOP function ON (the ZERO STOP "ON" indicator in the central display panel will light), the tape will automatically stop from the rewind or fast forward modes when the counter "0000" position is reached.

### 21 AUTO PUNCH I/O Button

This button activates the MT3X's automatic punch-in/out function, making a simple operation to re-record any section of a previously recorded track. When the AUTO PUNCH I/O button is pressed — **after** the punch-in and punch-out points have been specified using the AUTO PUNCH MEMO button (below) — the AUTO PUNCH I/O "I/O" indicator in the central display panel will light, indicating that the AUTO PUNCH I/O function is ready. If the transport is now set running in the record mode in the normal way, the record mode will automatically be entered only during the specified section of the selected track(s). See "Automatic Punch-in/out" on page 24 for full details.

### 22 AUTO PUNCH MEMO Button

This button is used to specify the start and end (punch-in and punch-out) points for the MT3X's AUTO PUNCH I/O function. While running the tape in the playback mode, press the AUTO PUNCH MEMO button once to specify the punch-in point (the AUTO PUNCH I/O "MEMO" indicator will flash), and then again to specify the punch-out point (the AUTO PUNCH I/O "MEMO" indicator will light continuously). See "Automatic Punch-in/out" on page 24 for full details.

### 23 COUNTER RESET Button

The COUNTER RESET button resets the electronic tape counter to "0000" at the current tape position.

### 24 Transport Controls

These light-touch electronic transport controls provide smooth, sure control of all tape transport functions.

**PLAY:** Starts the transport running in the PLAY mode. The green "PLAY" indicator in the central display panel lights during playback.

**RECORD:** Press the REC button to enter the "REC/PAUSE" mode. If all the REC SELECT switches are turned OFF, the red REC indicator will flash and the green PAUSE indicator will light. If any of the REC SELECT switches are set to a position other than OFF, both the red REC and green PAUSE indicators will light continuously. In this mode the transport is not yet running and recording has not begun.

From the REC/PAUSE mode, press the PLAY button to actually start the transport running in the RECORD mode (if any of the REC SELECT switches are set to a position other than OFF), or the RECORD-READY mode (if all the REC SELECT switches are set to OFF). The red REC and green PLAY indicators both light during recording. The red REC indicator will continue to flash and recording will not occur if none of the REC SELECT switches are set to a recording position.

#### NOTE:

Only tracks for which the REC SELECT switch is set to a recording position will be recorded when the RECORD mode is activated.

#### NOTE:

The RECORD mode **cannot** be activated if a cassette is loaded from which the record-prevention tab has been removed.

**PAUSE:** Temporarily stops playback or recording. The green PAUSE indicator will light when the PAUSE mode is active. Press the PLAY button to disengage the PAUSE mode and continue playback or recording.

**REWIND (REW) & FAST FORWARD (FF):** These buttons cause fast winding of the tape in the specified direction.

**STOP:** Immediately stops the transport from any of its operational modes.

### 25 Cassette Compartment

Your cassette tape is loaded here. Use **only** high-quality chrome (CrO<sub>2</sub>) formula cassette tape. Other types of tape will not provide correct frequency characteristics and minimum noise with the MT3X. First flip up the cassette compartment lid (a lifter tab is provided at the right side of the cover), then insert the tape with the open end of the cassette (the end at which you can see the tape) facing the transport controls. Press the back (closed) edge of the cassette down under the central retaining finger at the rear of the cassette compartment, then press the front (open) end down into the mechanism — GENTLY! Close the compartment lid when ready.

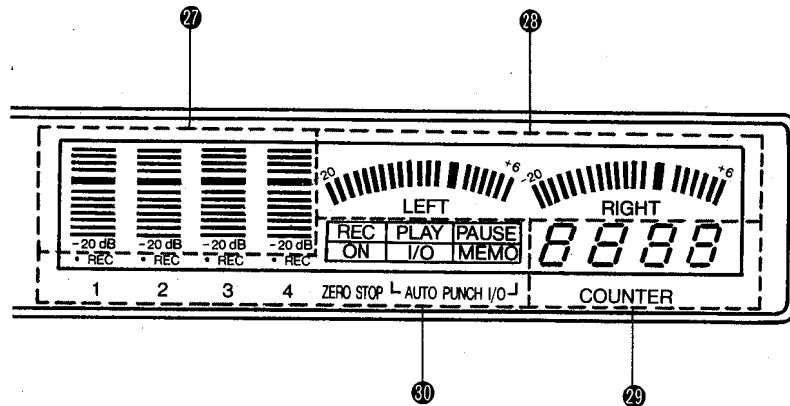
#### NOTE:

Since the MT3X uses the entire width of the cassette tape to record four tracks, the cassette can only be recorded on one side. If you attempt to flip the cassette and record on the second side, you will erase any previously recorded material.

### 26 PUNCH I/O Footswitch Jack

An optional YAMAHA FS-1 Footswitch can be connected to this jack to permit foot-controlled punch-in and punch-out recording (see "PUNCH-IN/OUT RECORDING" on page 23).

## CENTRAL DISPLAY PANEL



### 27 Recorder Track Level Meters

These four vertical bar-graph type peak meters accurately display output levels from the MT3X's four recorder tracks. The track level meters are important for setting up the optimum recording levels when recording new material (see "SETTING RECORDING LEVELS" on page 17).

### 28 LEFT and RIGHT Master Stereo Level Meters

The horizontal LEFT and RIGHT level meters show levels on the MT3X stereo master buss — so you have an accurate visual indication of overall program signal level.

### 29 Electronic Tape Counter

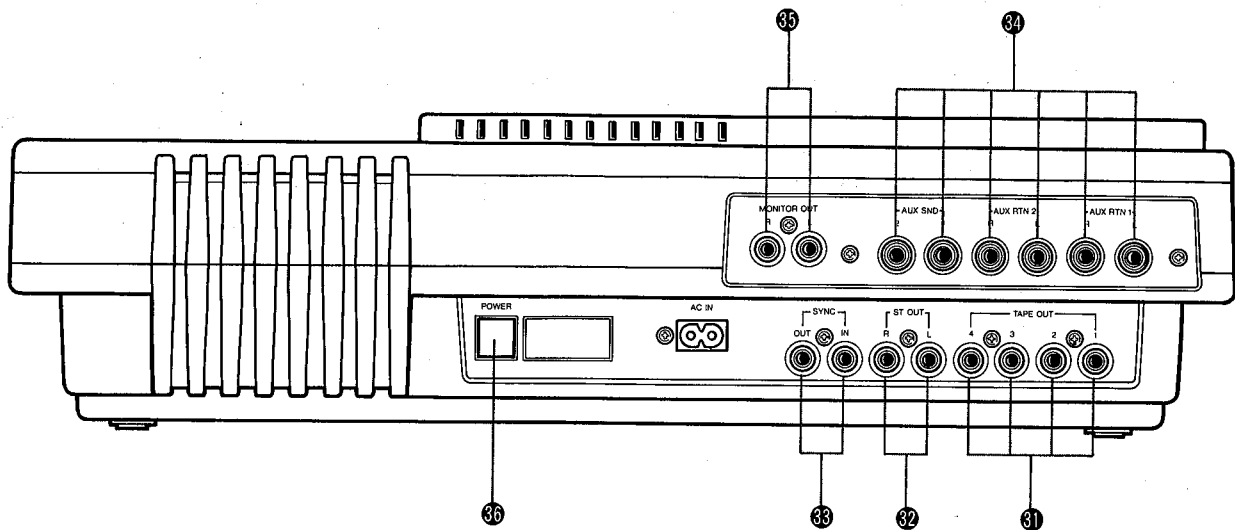
The MT3X's electronic four-digit tape counter provides a handy index to tape position. It's a good idea to write down the counter readings for important points of a recording, so you can locate them easily afterwards.

### 30 Mode Indicators

The "● REC" indicators below each vertical track level meter show which tracks are ready to record, the "REC," "PLAY," and "PAUSE" indicators show the current transport mode, the ZERO STOP "ON" indicator lets you know when the ZERO STOP function is ON, and the AUTO PUNCH I/O "I/O" and "MEMO" indicators tell you the current status of the AUTO PUNCH I/O function.



## REAR PANEL



### 31 TAPE OUT Jacks

The four TAPE OUT jacks are direct outputs from the corresponding tracks of the MT3X recorder. These jacks make it possible to feed the output from the four recorder tracks to an external mixing console. The TAPE OUT jacks can also be used to feed each of the recorder's tracks to external signal processors, the output of which can then be returned to the MT3X's mixer inputs.

The TAPE OUT jacks are RCA pin types with a nominal output level of  $-10$  dB into a load of greater than 50 k-ohms.

### 32 ST OUT R and L Jacks

These are the main outputs from the MT3X, delivering the stereo output signal from the MT3X mixer section. The ST OUT jacks can be connected to a stereo sound system for monitoring and listening, or to a second cassette recorder when recording a stereo "mix" of a multitrack MT3X master tape. The ST OUT R and L jacks are RCA pin types with a nominal output level of  $-10$  dB when feeding a load of greater than 50 k-ohms.

### 38 SYNC IN and OUT Jacks

These jacks can be connected to the corresponding input and output of an external MIDI converter unit such as the YAMAHA YMC-10, allowing recording of an FSK synchronization signal on track 4 of the MT3X recorder section (the MT3X SYNC switch must be ON). The recorded sync signal can be used to synchronize MIDI sequence recorders, rhythm programmers, computers or similar equipment to playback of the MT3X.

### 34 AUX SND & RTN Jacks

The AUX SND (1 and 2) and RTN (1 and 2) jacks make it simple to use external signal processors (such as the YAMAHA SPX900 Professional Multi-Effect Processor) to add effects to MT3X signals. The AUX SND 1 or 2 jack should be connected to the input of your signal processor, and the output from your signal processor should be connected to the corresponding AUX RTN jacks. Stereo AUX RTN jacks are provided for both AUX RTN 1 and 2, providing compatibility with the wide range of high-performance mono-in/stereo-out signal processors currently available. Dual AUX SEND/RTN loops afford extra signal processing versatility. (see "USING THE AUX SEND/RTN LOOPS" on page 22).

**35 MONITOR OUT L and R Jacks**

These jacks deliver a line-level version of the same signal that appears at the PHONES jack, and thus the signal can be selected using the PHONES SELECT switch. The MONITOR OUT level is controlled by the PHONES control. The MONITOR OUT jacks can be used to feed a power amp/speaker system for open-air (i.e. non-headphone) monitoring.

**36 POWER Switch**

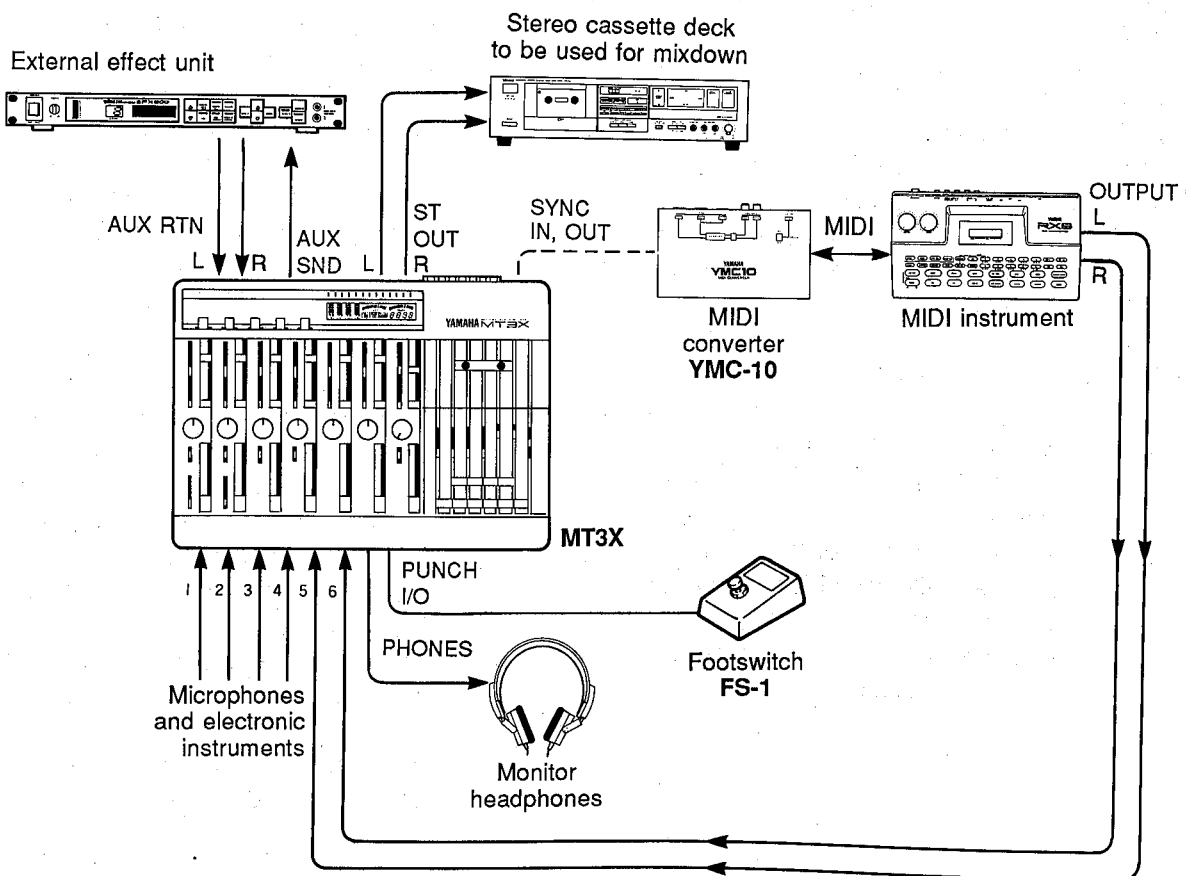
Press the POWER switch once to turn power ON, a second time to turn power OFF.

**NOTE:**

If you are familiar with block diagrams of electronic equipment, refer to the "BLOCK DIAGRAM" on page 28 for a full overview of the MT3X system.

# CONNECTION EXAMPLES

— BASIC CONNECTIONS —



# THE RECORDING PROCESS

---

*Recording with the MT3X is a very simple process. A minimum of equipment will allow you to create fairly sophisticated recordings: the MT3X, a pair of monitor headphones, and an instrument, microphone, or other signal source.*

The multitrack recording process can be basically broken down into the following steps:

**1. Record the First Track.**

- a) Channel-to-track Assignment.
- b) Set Record Level.
- c) Record.

**2. Overdub the Remaining Tracks.**

- a) Channel-to-track assignment for each overdub.
- b) Set record level for each overdub.
- c) Record the overdub.

**3. Ping-pong and Overdub More Tracks (if necessary).**

**4. Mixdown.**

- a) Set up for monitoring the mix.
- b) Set up a rough mix and add effects.
- c) Finalize and rehearse the mix.
- d) Connect the MT3X ST OUT jacks to a stereo cassette recorder.
- e) Record (from the MT3X to the stereo cassette recorder).

These steps (and what the recording terms mean) will be described in detail below, so its a good idea to read through the following sections in sequence in order to get a clear picture of the overall recording process.

# RECORDING THE FIRST TRACK

## STEP 1: CHANNEL-TO-TRACK ASSIGNMENT

The first step in making any recording is to assign the channel to which your instrument or other source is connected to one of the recorder's tracks.

Depending on what you are recording, you might want to record a single instrument or other source to a single track on the recorder, or you might want to combine several instruments or other sources and record them on a single track. The MT3X offers two "channel-to-track assignment" methods that can be used individually or combined to give you the track assignments that you need.

### ● Direct Channel-to-Track Assignment

With this method, an instrument or source connected to one of the mixer's first four channels is fed directly to the correspondingly numbered track of the recorder. You can record a single track like this, or up to all four tracks simultaneously.

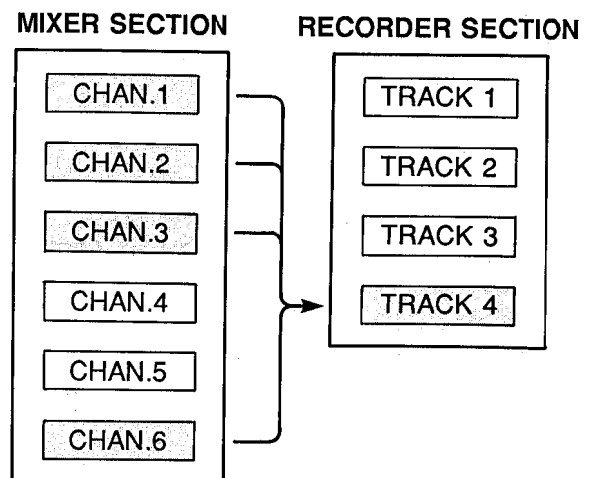
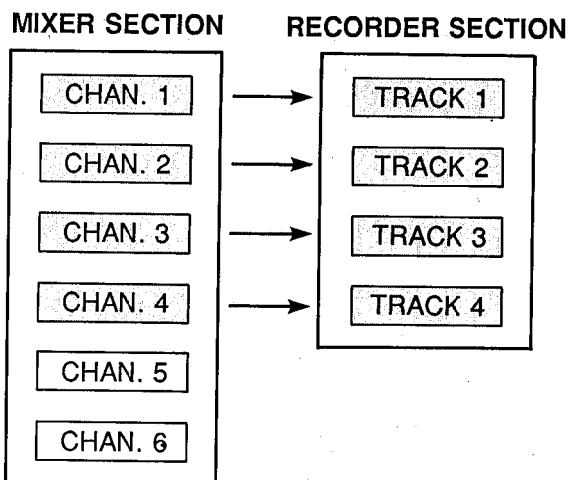
For direct channel-to-track assignment, the REC SELECT switch of the channel(s) to be recorded must be set to the "number" position (1, 2, 3 or 4). For example, if the channel 1 REC SELECT switch is set to "1," the channel 1 signal will be sent directly to track 1 of the recorder. This applies in the same way to all other channels and tracks.

### ● Panned Channel-to-Track Assignment

The panned channel-to-track assignment method makes it possible to assign several of the mixer's channels to a single recorder track, or single mixer channels can be assigned to different track numbers.

Each of the REC SELECT switches has either an "L" or "R" position. These correspond to the left (L) and right (R) channels of the mixer's output. If a REC SELECT switch is set to "L," for example, any of the mixer's six channels can be assigned to the correspondingly numbered track by setting its PAN control fully LEFT. You could assign channel 1 to track 4, for example, by setting the channel-4 REC SELECT switch to "R" and the channel-1 PAN control fully RIGHT.

The assignment shown in the diagram below is achieved by setting the channel-4 REC SELECT switch to "R," and setting the PAN controls of channel 1, 2, 3 and 6 fully RIGHT. The channel-4 and channel-5 PAN controls are set fully LEFT to prevent their signal from reaching track 4 of the recorder.



---

## STEP 2: MONITOR SETUP

Once your source is connected to an input channel and that channel is assigned to one of the recorder's tracks, you should set up your monitor system so that you can monitor the track as it is recorded.

### ● **PHONES or MONITOR OUT Monitoring**

Monitoring via a pair of headphones connected to the PHONES jack or a sound system connected to the MONITOR OUT jacks offers the greatest flexibility and is recommended for general recording. The PHONES SELECT switch allows you to select the desired signal for monitoring as follows:

**MONITOR:** In this position only the output from the recorder's four tracks is sent directly to the PHONES and MONITOR OUT jacks via the four MONITOR controls. The MONITOR controls are used to set up the desired monitor "mix." This setup is ideal for general monitoring while recording because it allows you to set up a monitor mix independently from the channel faders. Material already recorded on any of the recorder's tracks is delivered to the PHONES and MONITOR OUT jacks via the corresponding MONITOR controls as long as the REC SELECT switches for the playback channels are set to OFF.

**MIX:** Both the output from the recorder's four tracks (via the MONITOR controls) and the stereo output from the mixer section are sent to the PHONES and MONITOR OUT jacks.

**STEREO:** Only the stereo output from the mixer section is sent to the PHONES and MONITOR OUT jacks. This setting is most useful for mixdown of a completed multitrack recording, since you want to hear the mix produced by the mixer section's channel faders and any effects applied using the AUX SEND and RTN controls while mixing.

### ● **Monitoring via a Sound System Connected to the ST OUT Jacks**

It is also possible to use a stereo sound system with speakers or a pair of powered monitor speakers (such as the YAMAHA MS101 Powered Monitor Speaker) connected to the MT3X ST OUT L and R jacks for monitoring. When monitoring via a sound system in this way, only the stereo output from the MT3X mixer section can be monitored. This is the same situation as monitoring via headphones with the PHONES SELECT switch set to STEREO. The use of a sound system for monitoring is therefore not recommended for general recording, but is **highly** recommended for mixdown since it allows you to monitor your mix under conditions that are closer to the way your final tape will hopefully be heard — via a stereo sound system and speakers.

#### **NOTE:**

Speakers should not be used for monitoring if you will be recording via microphones, since the monitor sound will leak into the microphone(s) and spoil the recording.

---

## STEP 3: SETTING RECORDING LEVELS

*Setting optimum recording levels is vitally important to achieve the best possible recording quality.*

1. Start with the channel fader on the channel to be used set to its minimum ("0") position, and the MIC/LINE trim control (if you are recording via channel 1 or 2) set all the way to LINE.
2. Once everything is properly set up play the source at the highest (loudest) level that it will be played while actually recording.
3. Set the MASTER fader to about "7" or "8" on the scale, and gradually raise the channel fader until you begin to hear the source sound and see the LEFT and/or RIGHT level meters come to life. If your source is an electric instrument (guitar or bass) or a microphone and you are recording via channel 1 or 2, you may also have to slide the MIC/LINE

trimmer towards the MIC end of its scale to get a sufficiently high meter reading. Adjust the channel fader (and MIC/LINE trim control if applicable) so that the meter reading averages between about "0" and "+3" on the scale. The channel 1 or 2 CLIP indicator should either not light at all, or light only occasionally on high-level peaks. Ideally, the channel fader should be set at about "7" or "8" on its scale to achieve the above-mentioned meter reading. This is to ensure the best possible signal-to-noise ratio and allow plenty of plus and minus leeway for later adjustment. If the fader setting is way off, try adjusting the volume control on the instrument or other source until you can get the optimum reading with a fader setting between "7" and "8."

## STEP 4: RECORD

*After assigning the input channel to a recorder track, checking the monitor settings and setting the optimum record level for the new track, you're ready to record.*

1. Make sure that a cassette has been loaded into the cassette compartment, and that it is wound to the point at which you intend to start your recording. It's a good idea to press the counter RESET button to set the counter to "0000" at this point so that you can automatically locate the beginning of the recording later using the ZERO STOP function.
2. Press the REC button and then the PLAY button to start recording, wait a few seconds, and start playing.
3. When you've finished recording the track, press the STOP transport button, turn the REC SELECT switch for the track just recorded OFF, rewind the tape (the tape will stop automatically at counter "0000" if the ZERO STOP function is ON).
4. Play back the recording (press the PLAY transport control) and listen to the track to make sure that everything went as planned.

### NOTE:

When recording the first track it is vital to record some form of "count-in" prior to actually playing your instrument! If you haven't included a one- or two-measure count-in in your first track, you'll have a heck of a time trying to coordinate the beginning of your second track with the first.

# OVERDUBBING

---

*Overdubbing is the process of recording a new track (or new tracks) while monitoring previously recorded tracks. If you're only planning to record a maximum of four tracks, you can go ahead and overdub the second, third and fourth tracks. If you're planning to use the "ping-pong" recording technique to record more than four parts, however, record only up to the third track and then move on to the ping-pong step (see "PING-PONG RECORDING" on page 19).*

1. Plug the instrument or other source to be recorded into an available channel input.
2. Make sure that the REC SELECTOR switches of previously-recorded tracks are set to OFF so that they aren't erased when the new track is recorded.
3. Set up the channel-to-track assignment for the new track.
4. Check your monitor settings to ensure that you can monitor the previously recorded track(s) as well as the new track to be recorded (the PHONES SELECT switch should be set to MIX).
5. Set the recording level for the new track.
6. You can now "rehearse" the overdub without actually recording by simply playing back the already-recorded track(s) and playing the new part.
7. Make sure the tape is rewound to the beginning of the piece and start recording.

These steps are simply repeated to overdub tracks 3 and 4.

# PING-PONG RECORDING

*Ping-pong recording is a technique you can use to squeeze more than just 4 parts onto your 4-track machine.*

In ping-pong recording, you can record parts on tracks 1, 2, and 3, for example, and then re-record these tracks onto track 4, using the mixer controls to set up the right balance between the 3 original tracks. You now have a "mix" of the first 3 tracks on track 4, and tracks 1, 2, and 3 are available for more recording. That's already the equivalent of 6 "tracks" on your 4-track recorder. While mixing the first 3 tracks down onto track 4 you can also mix in a live instrument via the MT3X mixer section. That would give you 4 parts recorded on track 4 of the tape. With the 3 tracks you still have available for recording, that's a total of 7 tracks. Now, if you record only 2 of the remaining tracks and ping-pong these to track 3 while mixing in another live instrument, you'll have 4 parts on tracks 4, 3 parts on track 3, and 2 tracks available. That's a total of 9. Following this procedure it is actually possible to record up to 10 individual tracks without re-recording any single track more than once (refer to the illustration).

**NOTE:**

Ping-ponging is a critical step because the tracks to be ping-ponged must be mixed **perfectly** before you can go on to recording the subsequent tracks. This is because once they're ping-ponged and new material has been recorded on the original tracks, their balance and individual sound **cannot** be changed unless you go back and record the original tracks all over again.

**NOTE:**

It is recommended that you record using the 9.5 cm/sec tape speed with dbx ON if you plan to combine tracks using the ping-pong technique. Under some conditions, use of the 4.75 cm/sec tape speed with noise reduction OFF will cause feedback when a previously recorded track is re-recorded onto an adjacent track.

**EXAMPLE:** Recording tracks "1" through "10" using the Ping-pong process.

	Record parts 1, 2 and 3.	Ping-Pong 1, 2 and 3 to track 4 while adding part 4.	Record parts 5 and 6.	Ping-Pong 5 and 6 to track 3 while adding part 7.	Record part 8.	Move 8 to track 2 while adding 9.	Record 10 the last part.
TRACK 1	1		5		8	8 + 9	10
TRACK 2	2		6			5, 6 + 7	8 + 9
TRACK 3	3			5, 6 + 7	5, 6 + 7	1, 2, 3 + 4	5, 6 + 7
TRACK 4		1, 2, 3 + 4	1, 2, 3 + 4	1, 2, 3 + 4	1, 2, 3 + 4	1, 2, 3 + 4	1, 2, 3 + 4



---

## A PING-PONG RECORDING EXAMPLE

*The following is an example of how you would ping-pong material recorded on tracks 1, 2 and 3 onto track 4.*

Here's how the controls should be set:

- **TAPE-OFF-LINE Selectors**

Make sure that the channel 1, 2 and 3 TAPE-OFF-LINE selectors are set to TAPE and the channel 4 selector is set to OFF.

- **Channel Faders**

To begin with, set the channel 1 through 3 faders to about "7" on their scales, and set the remaining channel faders to "0."

- **EQ Controls**

Set all to their center positions.

- **MASTER Fader**

Set to about "7" on the scale.

- **REC SELECT Switches**

The channel 1 through 3 REC select switches must be set to OFF, and the channel-4 REC SELECT switch should be set to "R."

- **AUX SEND Controls**

Set both AUX SEND controls to MIN for the time being.

- **PAN Controls**

Since the channel-4 REC SELECT switch is set to "R," the channel 1 through 3 PAN controls must be rotated full clockwise (right) to assign the track 1, 2 and 3 signals to track 4 of the tape.

- **AUX RTN Controls**

Set to MIN for the time being.

- **PHONES SELECT Switch**

Set to STEREO.

- **MONITOR Controls**

Don't matter.

1. Play back the tape and adjust the channel 1, 2 and 3 faders — carefully — until you get the desired balance between the first three tracks. You'll notice that as you adjust the balance between tracks the RIGHT channel meter reading might change considerably (remember, all three channels are assigned to the RIGHT stereo buss). Set up the mix so that the RIGHT level meter shows a maximum reading of about "0." You can easily compensate for overall level changes as you set up the ping-pong mix by adjusting the MASTER fader.
2. When everything is set up perfectly, rewind the tape to the beginning and start recording. Sit back and wait until the ping-pong is complete, then stop the recorder. Now play back the tape and listen to the ping-ponged track carefully (track 4 in this example — set the channel 1 — 3 TAPE-OFF/LINE selectors to OFF and the channel 4 selector to TAPE). If something sounds odd, go back and repeat the ping-pong process. You can do this as many times as necessary until you get it right — **then** go on to the next step.
3. Overdub and, if necessary, ping-pong the remaining tracks.

# MIXDOWN

Mixdown is the final stage in the recording process at which you transform your multitrack master tape into a mono or stereo master tape that is the final creative product. The process involves re-recording the multitrack tape, via the MT3X's mixer, onto a conventional stereo tape deck while you finely balance the tracks to achieve just the right sound. Tracks can be faded in or out as required, and refinements such as overall reverberation or equalization can be added using external signal processing equipment. The mixer's PAN controls can be used to position each track at the appropriate location in the stereo image, and you can even pan a sound from one channel to the other for dramatic effect.

Here's how your system should be set up:

- **TAPE-OFF-LINE Selectors**

Make sure that all four TAPE-OFF-LINE selectors are set to TAPE.

- **Channel Faders**

Set all channels to "0."

- **REC SELECT Switches**

All REC SELECT Switches to OFF.

- **EQ Controls**

Set all to their center positions for the time being.

- **AUX and AUX SEND Controls**

Set all AUX and AUX SEND controls to MIN for the time being.

- **PAN Controls**

Start with all PAN controls set to center.

- **MASTER Fader**

Set to about "7" or "8" on the scale.

- **AUX RTN Controls**

Set to MIN for the time being.

- **PHONES SELECT Switch**

Set to STEREO if you'll be mixing using headphones or via a sound system connected to the MONITOR OUT jacks. We recommend using an external sound system or a pair of powered monitor speakers (such as the YAMAHA MS101 Monitor Speaker) connected to the ST OUT jacks for mixdown, in which case the PHONES SELECT switch setting doesn't matter.

- **MONITOR Controls**

Set all MONITOR controls to "0."

- **dbx Switch**

If you started recording with the dbx switch ON, leave it ON. If OFF, it should stay OFF.

1. Sit in a comfortable, central position in front of your monitor speakers.
2. Listen to, evaluate, and adjust the sound of each track individually. This simply means raising the fader of a single track, adding effects or other signal processing as required, then repeating the process

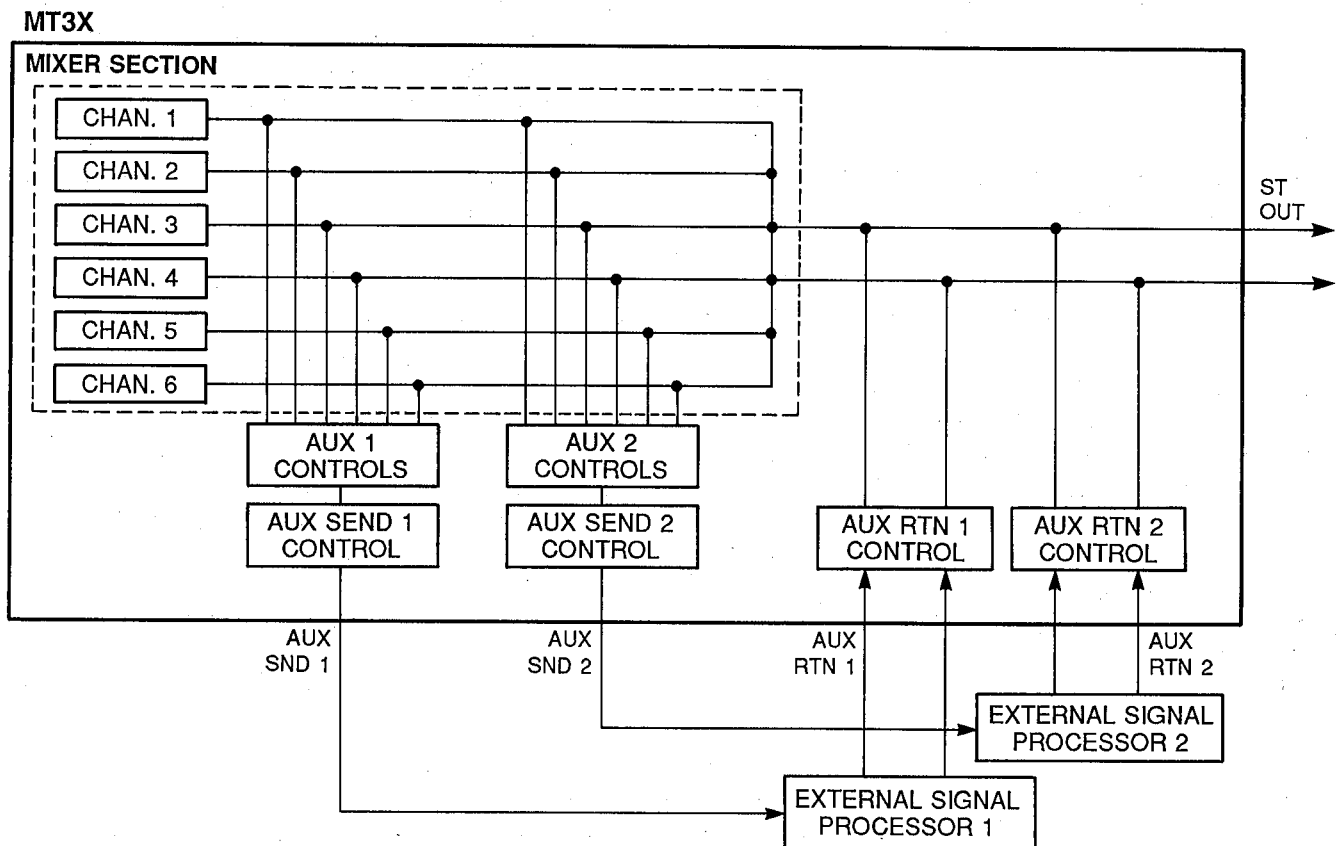
on the next track until all tracks have been carefully checked. If you have an external signal processing device such as the YAMAHA SPX900 Professional Multi-Effect Processor connected into one of the MT3X's AUX SEND/RTN loops as described in the following section ("USING THE AUX SEND/RTN LOOPS"), it's a simple matter to select the desired effect on your signal processor and add the required amount of effect to each track using the AUX controls. The AUX RTN control(s) must also be set to an appropriate level.

3. When all tracks have been individually checked, bring the first four channel faders up to about "7" or "8" on the scale and play back the tape. Adjust the faders for the best overall balance. Now adjust the PAN controls to place each track at the desired location in the stereo sound field. Now listen carefully — too much or too little reverb on any track? Readjust the AUX controls to achieve the desired effect. Balance not quite right? Keep readjusting until you are satisfied. How about EQ? You might need to tweak the EQ controls a bit to make the tracks blend smoothly. You should also rehearse any fades or pans you plan to do while actually recording the mix.
4. When you're sure everything is ready, prepare to actually record the mix. To do this you'll have to connect the MT3X ST OUT jacks to the inputs of a stereo cassette recorder. Plug your monitor headphones into the stereo cassette deck phones jack if you want to listen as you record the mix, or simply leave them connected to the MT3X PHONES jack and listen with the PHONES SELECT switch set to STEREO. Of course, the MONITOR OUT jacks could be connected to a stereo sound system for open-air monitoring. Use the stereo cassette deck record level control(s) and, if necessary, the MT3X MASTER fader to set the optimum record level, then go ahead and record. The MT3X MASTER fader can also be used to add a slow fade at the end of the piece.

# USING THE AUX SEND/RTN LOOPS

The MT3X's AUX 1 and AUX 2 controls function like two secondary mixers that derive their input signals from the main mixer's six channels and combine them into mono signals which are delivered via the AUX SND 1 and AUX SND 2 jacks (refer to the diagram below). You can use the AUX send controls to create two "effect mixes" which are entirely independent of the main mix, thus applying the required degree of effect to each channel signal. One or both of the AUX SND signals is sent to the input of an external signal processor (reverb, echo or other effect device), and the output from the signal processor is returned to the corresponding AUX IN jacks. The level of the signal received at the AUX IN jacks can be adjusted using the AUX RTN control, and the resulting signal is combined with the MT3X's main stereo output signal.

Since the returned effect signal is combined with the mixer's stereo output signal, the AUX SND/RTN loops are most ideally suited to adding effects to individual tracks during the final mixdown process.



## NOTE:

Since the AUX SEND/RTN loops return the effect signals to the mixer section's stereo outputs, effects can be added to channels during ping-pong recording as long as the panned channel-to-track assignment method is used. The AUX SEND/RTN loops cannot be used to add effects when recording tracks which have been assigned using the direct channel-to-track assignment method.

# PUNCH-IN/OUT RECORDING

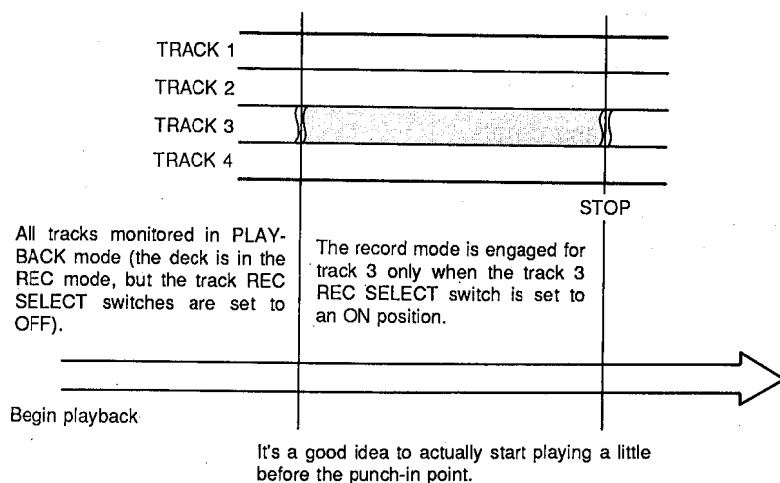
Punch-in/out recording makes it possible to re-record a short segment of an otherwise perfect track in order to correct a mistake or "brush up" an important passage. You "punch-in" at the point where you begin recording the new segment, and "punch-out" at the end of the new segment so that the previously-recorded material is not erased. The MT3X AUTO PUNCH I/O function makes this operation easier than ever.

## ● Manual Punch-in/out Using the REC SELECT Switches

1. Start the deck running — a few measures before the section to be re-recorded begins — in the record-ready mode by pressing the REC button and then the PLAY button with all track REC SELECT switches set to OFF. The red REC indicator will flash indicating that the transport is in the record-ready mode. The PHONES SELECT switch should be set to MIX so you can hear all the tracks and the source you are about to record.
2. At a convenient break in the track switch the track to be corrected to the record mode (punch-in by switching the REC SELECT switch for that track to the appropriate record position) and start playing the new material to be recorded. The REC indicator will light continuously as soon as the REC SELECT switch is set to a record position.
3. At the end of the re-recorded segment switch the track back to the play mode (punch-out by switching the REC SELECT switch for that track to OFF). The red REC indicator will begin to flash.

## ● Footswitch Punch-in/out

1. Plug a YAMAHA FS-1 (optional) footswitch into the MT3X PUNCH I/O jack.
2. Set the REC SELECT switch for the track to be punched-in to the appropriate record position, and press the REC button to activate the rec/pause mode. The red REC indicator should flash instead of lighting continuously. If the red REC indicator lights continuously, press the footswitch once so that it flashes.
3. Press the PLAY button to start the transport running in the record-ready mode.
4. Press the footswitch to punch-in. The red REC indicator will light continuously.
5. Press the footswitch a second time to punch-out. The red REC indicator will begin to flash.



## ● *Automatic Punch-in/out*

This sophisticated MT3X function makes it possible to pre-define the punch-in and punch-out points, so you don't have to touch the controls during the actual punch-in/out operation.

1. Set the REC SELECT switch for the track to be punched-in to the appropriate record position.
2. Use the AUTO PUNCH MEMO button to specify the start and end (punch-in and punch-out) points for the MT3X's AUTO PUNCH I/O function. While running the tape in the playback mode, press the AUTO PUNCH MEMO button once to specify the punch-in point (the AUTO PUNCH I/O "MEMO" indicator will flash), and then again to specify the punch-out point (the AUTO PUNCH I/O "MEMO" indicator will light continuously).
3. Rewind the tape to a point before the punch-in point (refer to the electronic tape counter).
4. Press the AUTO PUNCH I/O button to activate the automatic punch-in/out function. The AUTO PUNCH I/O "I/O" indicator in the central display panel will light, indicating that the AUTO PUNCH I/O function is ready.

5. Press the REC and PLAY buttons to start the transport running in the AUTO PUNCH I/O mode. Prior to the pre-defined punch-in point, the red REC indicator will flash. As soon as the punch-in point is reached, the record mode will be activated and the REC indicator will light continuously. When the punch-out point is reached, the record mode will be automatically disengaged.

**NOTE:**

The AUTO PUNCH I/O mode can not be activated when the tape is wound to a point beyond the programmed punch-in point.

**NOTE:**

The AUTO PUNCH I/O mode can be turned off by pressing the AUTO PUNCH I/O button a second time, and the MEMO display can be cleared by first pressing the MEMO button, causing the "MEMO" indicator to flash, and pressing the "MEMO" button again. The "MEMO" indicator will go out.

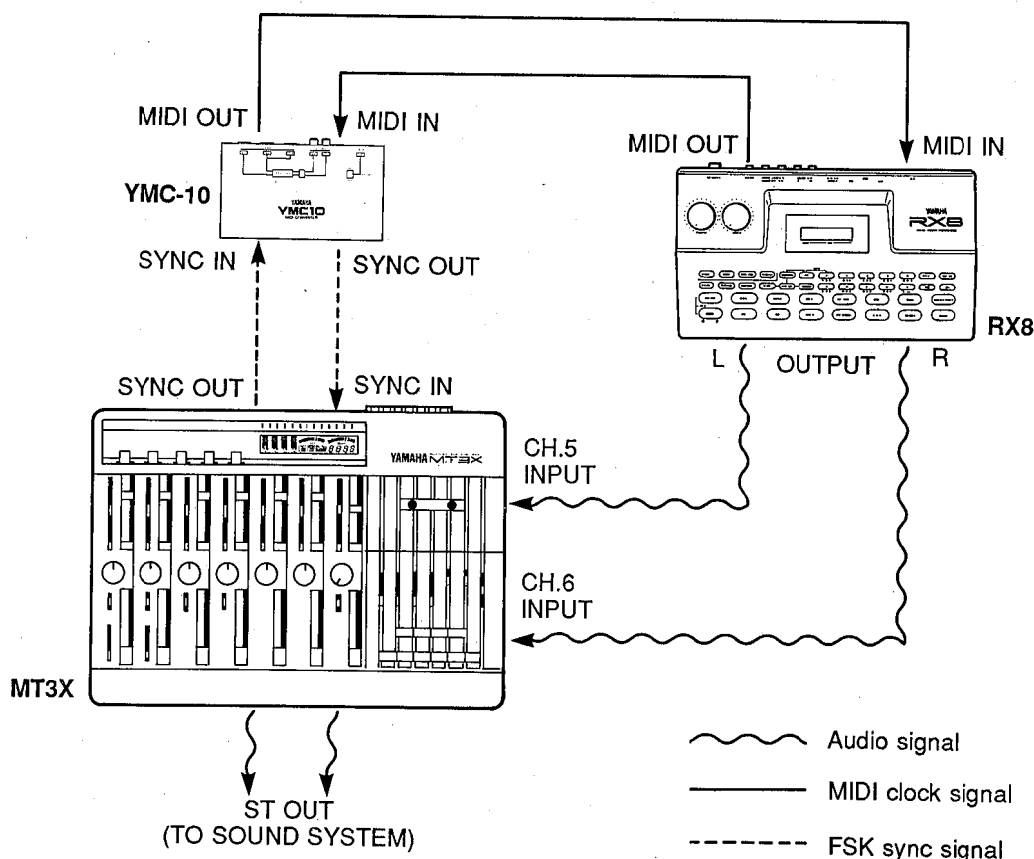
# MIDI SYNC OPERATION

Using an external MIDI converter such as the YAMAHA YMC-10, it is possible to synchronize MIDI equipment such as sequence recorders, digital rhythm programmers, MIDI computers and similar equipment to playback of material recorded on the MT3X.

A simple MIDI sync system example is given below. In this example, the YMC-10 MIDI Converter converts the MIDI clock signal output from the RX8 Digital Rhythm Programmer to an FSK (Frequency Shift-keyed) audio signal that can be recorded on tape. And, in reverse, the YMC-10 re-converts the FSK sync signal from the tape back to a MIDI clock signal that can control the RX8. Before any material is recorded on the tape, the MT3X SYNC switch is turned ON, the rhythm pattern programmed into the RX8 is played back, and the resultant sync signal from the YMC-10 is recorded onto track 4 using normal recording procedure. Now, if the RX8 is set to "EXTERNAL SYNC" (allowing it to be controlled by external MIDI signals) and the tape is played back, the RX8 will start, run, and stop in re-

sponse to the sync track. Once this has been done, it is possible to overdub and even ping-pong the remaining three tracks on the tape, using the RX8 rhythm as a reference. Since the sync track is controlling only the speed and start/stop timing of the RX8, the rhythm pattern can be edited and re-programmed as required without losing synchronization.

The same basic principles apply to synchronization of a MIDI sequence recorder, MIDI computer or other equipment. If a large number of external sources are synchronized to tape, a small supplementary mixer may be required to combine the source signals into a stereo signal which can be returned to input channels 5 and 6 of the MT3X mixer.



# MAINTENANCE

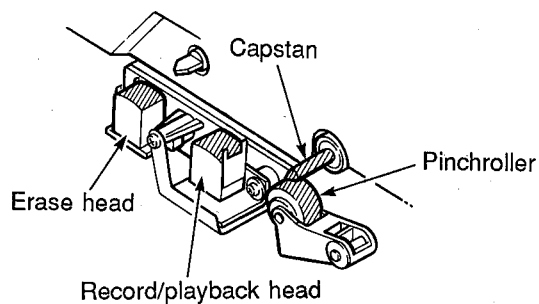
---

The MT3X recording & playback head has been precision-constructed to extremely fine tolerances in order to make high-quality 4-track recording possible. Optimum performance can only be achieved if the head surface is kept immaculately clean. Cleaning should be carried out at regular intervals — at least after every 10 hours of use.

Dirty heads can cause any of, or a combination of, the following problems:

- Recording, playback and erasure are not possible.
- Reduced playback sound level.
- Fluctuating and or/distorted sound.
- Excessive noise.
- A drop in level at the high frequencies.

If any of the above problems occur, clean the heads carefull **before** assuming the fault is with the deck. Use a commercially available head-cleaning kit (read the instructions provided with the kit), or wipe carefully with a cloth or cotton swab that has been dampened with cleaning alchohol. Also clean the pinch roller at the same time as the heads.



**\* Clean the Shaded Areas**

# SPECIFICATIONS

## TAPE TRANSPORT

Tape Type	<i>Chrome (70 microsec. EQ)</i>
Heads	<i>4-channel Permalloy rec/play head, 4-channel ferrite erase head</i>
Tape Speed	<i>4.75 cm/sec., 9.5 cm/sec.</i>
Pitch Control	<i>± 10%</i>
Wow & Flutter	<i>Less than 0.15% WRMS</i>
Rewind Time	<i>Approx. 100 sec., for C-60 tape</i>
Motor	<i>DC servo motors (2)</i>

## CONNECTORS

Input 1 & 2	Input Impedance	<i>10 k-ohms</i>
	Rated Input Level	<i>-10 dB to -50 dB (fader nominal)</i>
	Max. Input Level	<i>+10 dB (gain control min.)</i>
	Min. Input Level	<i>-56 dB (gain control, fader max.)</i>
Input 3 - 6	Input Impedance	<i>10 k-ohms</i>
	Rated Input Level	<i>-10 dB (fader nominal)</i>
	Min. Input Level	<i>-16 dB (fader max.)</i>
Aux Return 1 & 2 (L,R)	Input Impedance	<i>10 k-ohms</i>
	Rated Input Level	<i>-10 dB (fader nominal)</i>
	Min. Input Level	<i>-16 dB (fader max.)</i>
Stereo Out L & R	Output Impedance	<i>1 k-ohm</i>
	Load Impedance	<i>Greater than 10 k-ohms</i>
	Rated Output Level	<i>-10 dB into 50 k-ohms</i>
Phones Out	Load Impedance	<i>8 to 40 ohms</i>
	Max. Output Level	<i>100 mW + 100 mW/40 ohms</i>
Monitor Out L & R	Output Impedance	<i>1 k-ohm</i>
	Load Impedance	<i>Greater than 10 k-ohms</i>
	Rated Output Level	<i>-10 dB into 50 k-ohms</i>
	Output Impedance	<i>1 k-ohm</i>
Tape Out 1 to 4	Load Impedance	<i>Greater than 10 k-ohms</i>
	Rated Output Level	<i>-10 dB into 50 k-ohms</i>
	Output Impedance	<i>1 k-ohm</i>
	Load Impedance	<i>Greater than 10 k-ohms</i>
Aux Send 1 & 2	Rated Output Level	<i>-10 dB into 50 k-ohms</i>
	Output Impedance	<i>1 k-ohm</i>
	Load Impedance	<i>Greater than 10 k-ohms</i>
	Rated Output Level	<i>-10 dB into 50 k-ohms</i>

## ELECTRICAL SPECIFICATIONS

Frequency Response (NR OUT)	<i>40 Hz to 18 kHz, ± 3 dB at 9.5 cm/sec. 40 Hz to 12.5 kHz, ± 3 dB at 4.75 cm/sec.</i>
S/N ratio	<i>85 dB, dbx ON, IHF-A</i>
Distortion	<i>1.5%, 315 Hz (EIAJ)</i>
Channel Separation	<i>Greater than 55 dB at 1 kHz</i>
Erasure Ratio	<i>Greater than 70 dB at 1 kHz</i>
Noise Reduction	<i>dbx *</i>
Equalizer (shelving)	<i>Max. ± 12 dB (HIGH: 10 kHz, LOW: 100 Hz)</i>

## GENERAL

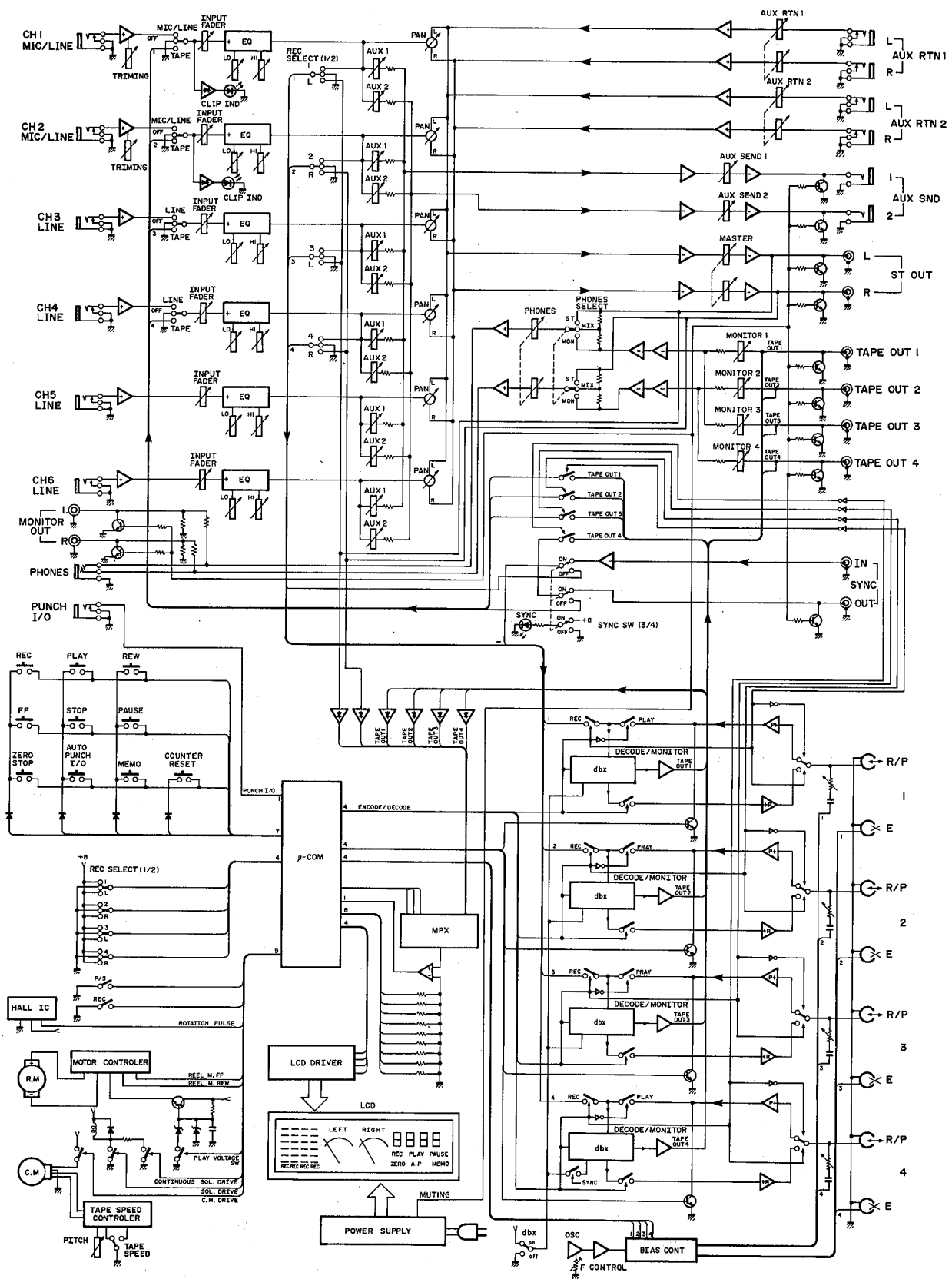
Power Requirements	<i>U.S. &amp; Canadian Models: 120 V AC, 60 Hz General Model: 220/240 V AC, 50/60 Hz</i>
Power Consumption	<i>U.S. &amp; Canadian Models: 24 W General Model: 19 W</i>
Dimensions (WxHxD)	<i>443 x 107 x 325 mm (17-7/16" x 4-3/16" x 12-13/16")</i>
Weight	<i>U.S. &amp; Canadian Models: 3.7 kg (8 lbs. 2 oz) General Model: 3.9 kg (8 lbs. 10 oz)</i>

\* dbx is a trademark of dbx Incorporated. • 0 dB = 0.775 Vr.m.s.

All specifications subject to change without notice.



# BLOCK DIAGRAM



---

## **IMPORTANT NOTICE FOR THE UNITED KINGDOM**

### **Connecting the Plug and Cord**

**IMPORTANT.** The wires in this mains lead are coloured in accordance with the following code:

**BLUE** : **NEUTRAL**

**BROWN** : **LIVE**

As the colours of the wires in the mains lead of this apparatus may not correspond with the coloured markings identifying the terminals in your plug proceed as follows:

The wire which is coloured **BLUE** must be connected to the terminal which is marked with the letter **N** or coloured **BLACK**.

The wire which is coloured **BROWN** must be connected to the terminal which is marked with the letter **L** or coloured **RED**.

### **CANADA**

THIS APPARATUS COMPLIES WITH THE "CLASS B" LIMITS FOR RADIO NOISE EMISSIONS SET OUT IN RADIO INTERFERENCE REGULATIONS.

CET APPAREIL EST CONFORME AUX NORMES "CLASS B", POUR BRUITS RADIOELECTRIQUES. TEL QUE SPECIFIÉ DANS LE REGLEMENT SUR LE BROUILLAGE RADIOELECTRIQUE.

**Français**

**ENREGISTREUR DE CASSETTE MULTIPISTE**

**MT3X**

**MANUEL D'INSTRUCTIONS**

# FELICITATIONS!

Votre enregistreur de cassette multipiste MT3X est un outil créatif peu commun qui vous permettra de travailler avec le son de nombreuses manières différentes. Que vous ayez besoin d'enregistrer des instruments acoustiques et des voix au moyen de microphones, ou des instruments électroniques et autres sources directement connectés, ou encore un mélange créatif des deux, le MT3X vous permet de créer votre propre son sans problème et avec la plus grande aisance. Vous pouvez tout simplement enregistrer et remélanger quatre pistes, ou utiliser la technique de l'enregistrement multipiste en "ping-pong" pour enregistrer individuellement jusqu'à dix parties indépendantes, ajoutant le son couche par couche jusqu'à ce que vous ayez créé l'arrangement et la texture que votre imagination demande. Il y a même une fonction sophistiquée dite de "punch-in/punch-out" qui vous permet de réenregistrer un segment d'une piste déjà enregistrée d'une manière quasiment automatique. Le MT3X est aussi simple à utiliser seul qu'avec un groupe. Et parce que c'est un YAMAHA, vous avez la certitude que le MT3X vous donnera la qualité sonore et les performances générales les meilleures qu'il soit possible d'obtenir.

Afin d'utiliser au mieux les innombrables fonctions du MT3X et d'en obtenir des performances maximales, nous vous conseillons vivement de lire très attentivement ce manuel d'instructions et de le conserver en lieu sûr afin de pouvoir vous y reporter ultérieurement si besoin est.

## TABLES DES MATIERES

PRECAUTIONS .....	32
AVANT UTILISATION .....	33
COMMANDES ET CONNECTEURS .....	35
EXEMPLE DE RACCORDEMENT .....	43
METHODE D'ENREGISTREMENT .....	44
ENREGISTREMENT DE LA PREMIERE PISTE .....	45
ETAPE 1: ASSIGNATION CANAL/PISTE .....	45
ETAPE 2: PREPARATION DU SYSTEME D'ECOUTE DE CONTROLE .....	46
ETAPE 3: REGLAGE DES NIVEAUX D'ENREGISTREMENT .....	47
ETAPE 4: ENREGISTREMENT .....	47
SURMIXAGE .....	48
ENREGISTREMENT EN PING-PONG .....	49
EXEMPLE D'UN ENREGISTREMENT EN PING-PONG .....	50
MIXDOWN .....	51
UTILISATION DES BOUCLES DE TRANSMISSION/RETOUR .....	53
ENREGISTREMENT PUNCH-IN/PUNCH-OUT .....	54
Punch-in/Punch-out manuel en utilisant les sélecteurs REC SELECT .....	54
Punch-in/Punch-out par pédale .....	54
Punch-in/Punch-out automatique .....	55
UTILISATION SYNCHRONISEE MIDI .....	56
ENTRETIEN .....	57
SPECIFICATIONS .....	58
SCHEMA DE PRINCIPE .....	59

# PRECAUTIONS

---

## 1. EVITER CHALEUR, HUMIDITE, POUSSIERE ET VIBRATIONS EXCESSIVES

Ne pas placer l'appareil là où il pourrait être soumis à des températures ou à une humidité excessives, comme par exemple à proximité d'un radiateur, d'un calorifère, etc. Eviter également les endroits particulièrement poussiéreux ou soumis à des vibrations qui pourraient provoquer des dommages

## 2. EVITER LES CHOCS

Des chocs physiques violents peuvent endommager l'appareil. Par conséquent le manipuler avec soin.

## 3. NE PAS OUVRIR L'APPAREIL ET NE PAS ESSAYER DE LE REPARER OU DE LE MODIFIER SOI-MEME

Ce produit ne contient pas de pièces réparables par l'utilisateur. Pour l'entretien et les réparations, toujours contacter un réparateur YAMAHA qualifié. Le fait d'ouvrir l'appareil et/ou d'altérer les circuits internes annulerait la garantie.

## 4. AVANT DE PROCEDER AUX CONNEXIONS OU AUX DEBRANCHEMENTS, CONFIRMER QUE L'APPAREIL EST HORS TENSION

Avant de brancher ou de débrancher les cordons toujours mettre l'appareil hors tension. Cette démarche est importante, car elle permet d'éviter tout dommage à l'appareil, ainsi qu'aux autres composants raccordés.

## 5. MANIPULER PRECAUTIONNEUSEMENT LES CORDONS

Brancher et débrancher les cordons, le cordon d'alimentation secteur y compris, en saisissant le connecteur, jamais en tirant sur le cordon.

## 6. NETTOYER L'APPAREIL AVEC UN CHIFFON DOUX ET SEC

Ne jamais utiliser de solvants, tels que de la benzine ou un dissolvant, pour nettoyer l'appareil. L'essuyer simplement avec un chiffon doux et sec.

## 7. TOUJOURS UTILISER UNE SOURCE D'ALIMENTATION QUI CONVIENT

Les spécifications d'alimentation du MT3X sont celles de la région d'achat (la tension et la consommation d'électricité sont indiquées sur le panneau inférieur). Si l'appareil doit être utilisé dans une autre région où la tension risque d'être différente, consulter un distributeur YAMAHA avant de réutiliser le MT3X.

## 8. MAINTENIR LES TETES ET LE PASSAGE DE LA BANDE PROPRES

Afin de toujours obtenir des performances élevées et une bonne qualité sonore du MT3X, il est très important de nettoyer régulièrement les têtes et le passage de la bande (idéalement parlant avant chaque séance d'enregistrement). Pour ce faire, utiliser un kit de nettoyage spécialement conçu pour être utilisé avec des appareils à cassette.

## 9. N'UTILISER QUE DES CASSETTES AU CHROME DE QUALITE SUPERIEURE

Le MT3X a été conçu pour être utilisé avec des cassettes CrO<sub>2</sub> (chrome) et ses performances seront moindre avec un autre type de cassette. Toujours choisir des cassettes d'une marque de confiance.

# AVANT UTILISATION

## ■ DIFFERENCE ENTRE PISTES ET CANAUX

Il arrive souvent que l'on confonde le terme "piste" et le terme "canal". Afin d'utiliser correctement cet appareil, il est nécessaire de comprendre la signification de ces deux termes.

### PISTE:

Désigne les parties de la bande elle-même où les signaux sont enregistrés. La bande d'une cassette comprend 4 pistes, ce qui permet d'enregistrer quatre signaux différents. Pour un enregistrement conventionnel deux pistes (stéréo gauche et droite) sont utilisées sur chaque face (sens de défilement de la bande) de la cassette.

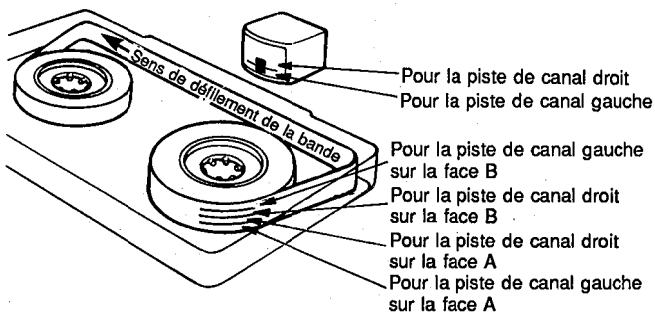
### CANAL:

Le trajet d'un signal d'entrée ou de sortie. Côté entrée, l'appareil comprend six canaux INPUT et deux canaux AUX. Le côté sortie comprend un canal stéréo (constitué de deux canaux mono) et un canal AUX.

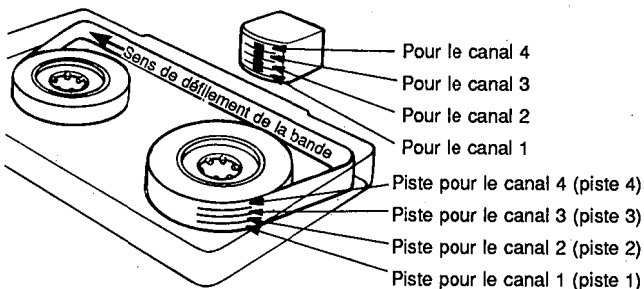
## ■ QU'EST-CE QU'UN ENREGISTREUR DE CASSETTE MULTIPISTE?

La différence existant entre l'enregistreur de cassette multipiste MT3X et un magnétocassette conventionnel est indiquée ci-après.

### MAGNETOCASSETTE CONVENTIONNEL



### ENREGISTREUR DE CASSETTE MULTIPISTE MT3X



Le schéma illustre la manière dont un magnétocassette stéréo conventionnel enregistre et reproduit le son. Les quatre pistes sont utilisées pour le son gauche et le son droit (en stéréo) de chaque face de la bande. Le MT3X utilise ces quatre pistes pour l'enregistrement/lecture unidirectionnel sur une seule face de la bande. Les magnétocassettes conventionnels enregistrent et reproduisent toujours le son dans le même mode, la face de la bande (ou sens de défilement) déterminant les deux pistes qui seront utilisées. Ces appareils ne permettent pas la sélection des pistes, ni pour l'enregistrement, ni pour la lecture.

Les enregistreurs multipistes permettent, quant à eux, d'enregistrer ou de reproduire séparément les pistes sélectionnées. Ceci permet d'avoir une certaine souplesse d'enregistrement et de lecture impossible avec les magnétocassettes conventionnels.

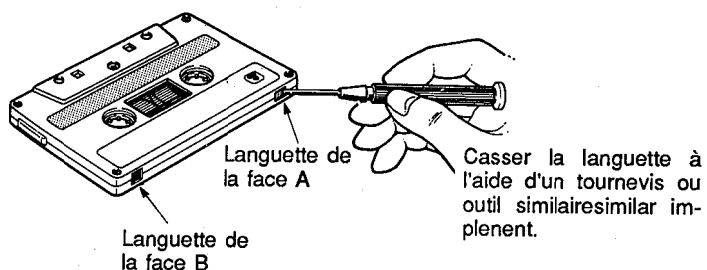
## ■ A PROPOS DES CASSETTES

Cet appareil a été conçu pour être utilisé uniquement avec des bandes au chrome et il ne fonctionnera pas correctement avec des bandes de type ferrochrome. Des bandes CrO<sub>2</sub> (Polarisation: ELEVEE; EQ: 70 μs) doivent être utilisées. En outre, l'utilisation de bandes C-120 n'est pas conseillée du fait que ces bandes ont des performances médiocres et qu'elles risquent de provoquer des pannes de l'appareil.

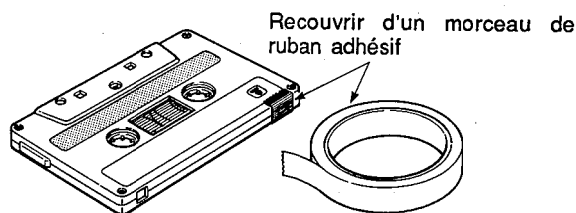
### ● Prévention contre l'effacement accidentel d'un enregistrement

Pour prévenir tout effacement accidentel d'enregistrements précieux, toutes les cassettes sont pourvues de languettes de protection situées sur leur bord supérieur. Lorsqu'une de ces languettes est cassée, à l'aide d'un tournevis ou de tout autre outil approprié, il est impossible d'enregistrer sur la face correspondante de la bande. Ceci empêche tout effacement accidentel d'un enregistrement. Dans le cas d'un enregistrement à 4 pistes, il est nécessaire de casser les languettes de protection de la face A et de la face B de la bande. Pour enregistrer sur une cassette dont les languettes de protection ont été cassées, recouvrir l'orifice (à la place des languettes) avec un morceau de ruban adhésif.

### ● PREVENTION CONTRE L'EFFACEMENT ACCIDENTEL D'UNE BANDE

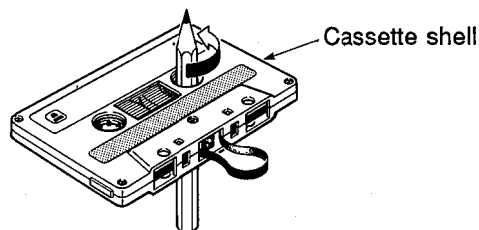


### ● ENREGISTREMENT SUR UNE CASSETTE DONT LES LANGUETTES ONT ETE CASSEES



### ● Reprise du mou d'une bande

Si une bande est utilisée alors qu'elle présente du mou, ou qu'un morceau de la bande est sorti de la cassette, la bande risque de s'enrouler autour du cabestan ou du galet-presseur. Afin d'empêcher cela, introduire un crayon ou un stylo à bille dans le centre d'une des bobines et le tourner pour reprendre le mou de la bande.

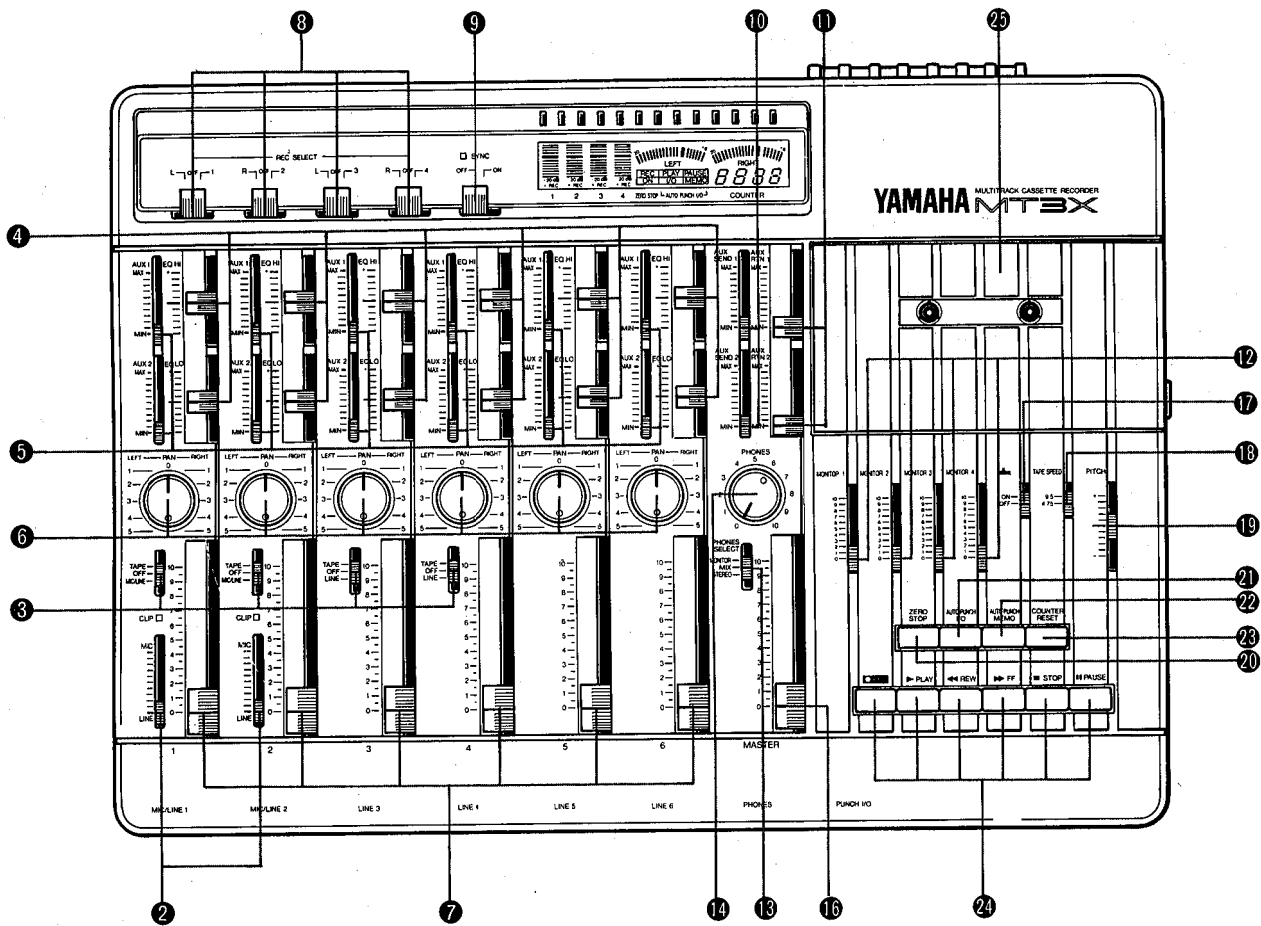


### ● Rangement des cassettes

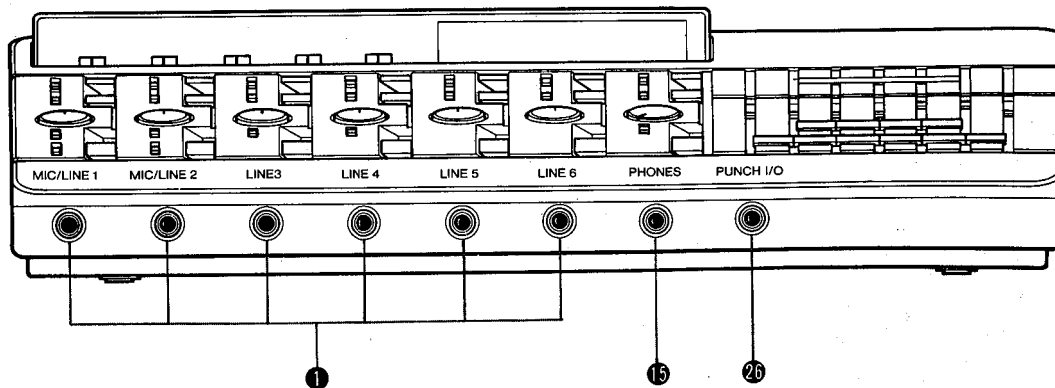
Pour empêcher que la bande prenne du mou, mettre un dispositif d'arrêt ou ranger les cassettes dans leurs boîtes. Ne pas ranger les cassettes en plein soleil, ou dans des endroits soumis à une humidité ou des à températures excessives, car cela pourrait endomager la bande. Conserver également les bandes loin de toutes sources de champ magnétique, telles que récepteur de télévision, enceintes acoustiques, car les enregistrements pourraient être effacés ou quelque peu altérés.

# COMMANDES ET CONNECTEURS

## — PANNEAU DE COMMANDE —



## — FACE AVANT —





## CANAUX ET PISTES

Le terme "canal" et le terme "piste" sont utilisés dans ce manuel d'instructions pour différencier les six "canaux" de l'étage mélangeur et les quatre "pistes" de l'étage enregistreur du MT3X. Le terme "piste" est également employé pour désigner les quatre "pistes" effectivement enregistrées sur la bande.

## CANAUX D'ENTREE DE L'ETAGE MELANGEUR

### ① Bornes d'entrée 1 à 6

Ces six bornes d'entrée (MIC/LINE 1, MIC/LINE 2 et LINE 3 à LINE 6) acceptent des signaux en provenance de n'importe quelles sources de niveau de ligne, comme par exemple un instrument de musique électronique ou un lecteur de cassette. Les prises MIC/LINE 1 et 2 acceptent également des signaux en provenance d'instruments de musique électriques tels que guitares et basses, ou en provenance de microphones. Les entrées 1 à 6 sont des prises jacks mono standard de 1/4". Lorsqu'une source est connectée à une de ces prises, ses signaux sont transmis au canal correspondant de l'étage mélangeur du MT3X.

### ② Commandes d'équilibre (MIC/LINE) (Canaux 1 et 2 uniquement)

Les commandes d'équilibre permettent de régler la sensibilité des entrées du canal 1 et du canal 2 afin qu'elles puissent accepter des signaux ayant des niveaux très variés, allant du niveau de ligne au niveau de microphone. Les commandes d'équilibre sont utilisées conjointement aux atténuateurs du canal 1 et du canal 2 afin d'obtenir le niveau d'enregistrement optimal pour une grande variété de sources (voir "REGLAGE DES NIVEAUX D'ENREGISTREMENT" à la page 47).

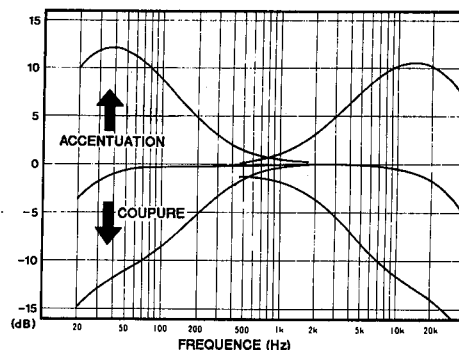
### ③ Sélecteurs TAPE-OFF-MIC/LINE (TAPE-OFF-LINE) (Canaux 1 à 4 uniquement)

Ces sélecteurs déterminent si l'entrée du canal correspondant de l'étage mélangeur sera, soit la sortie de la piste ayant le numéro correspondant de l'étage enregistreur du MT3X, soit l'entrée MIC/LINE ou LINE. A la position OFF, l'entrée du canal correspondant est coupée. Les canaux 5 et 6 n'acceptent que des entrées de niveau de ligne.

### ④ Commandes d'égalisation (LO et HI)

Ces commandes permettent de modifier individuellement la réponse en fréquence de chaque canal. Les commandes HI et LO fonctionnent de la manière suivante:

Commande	Plage	Fréq.	Type
HI	±12 dB	10 kHz	Coupure
LO	±12 dB	100 Hz	Coupure



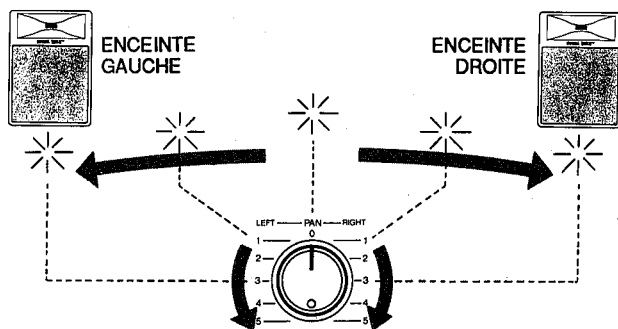
### ⑤ Commandes AUX 1 et AUX 2

Les commandes AUX servent principalement lors de l'addition d'effets, tels que les effets de réverbération ou de retard, au son de chaque canal ou piste. Les commandes AUX 1 et AUX 2 de chaque canal de l'étage mélangeur déterminent la partie du signal de ce canal qui sera transmises à la prise AUX SND 1 ou à la prise AUX SND 2. Les prises AUX SND peuvent être reliée à l'entrée d'un processeur de signaux externe, comme par exemple le processeur d'effets multiples professionnel YAMAHA SPX900 (voir "UTILISATION DES BOUCLES DE TRANSMISSION/RETOUR" à la page 53).

## 6 Commandes panoramiques (PAN)

Les commandes PAN assignent le signal en provenance du canal correspondant de l'étage mélangeur à la position souhaitée dans le "champ sonore stéréo". Si une commande PAN est tournée à fond sur la position "LEFT" (gauche), le signal de ce canal ne sera appliqué qu'à la sortie de canal gauche (ST OUT L) du MT3X. Si une commande PAN est tournée à fond sur la position "RIGHT" (droite), le signal ne sera appliqué qu'à la sortie ST OUT R. Si une commande PAN est mise sur la position centrale, le signal de ce canal sera appliqué d'une manière égale aux sorties de canal gauche et de canal droit et le son apparaîtra au centre du champ sonore stéréo (en un point à égale distance des deux enceintes acoustiques). Les autres réglages des commandes PAN placent le son sur une position correspondant approximativement à la position des commandes PAN, et ce en variant le niveau du signal transmis aux sorties de canal gauche et de canal droit.

Les commandes PAN peuvent également être utilisées pendant l'enregistrement pour assigner les signaux en provenance de plusieurs canaux à une seule piste de l'étage enregistreur, ou pour assigner un canal à une piste de l'étage enregistreur ayant un numéro différent (voir "ASSIGNATION CANAL/PISTE" à la page 45).



## 7 Atténuateurs de canal

Les atténuateurs de canal permettent de régler le niveau (volume) du signal du canal correspondant de l'étage mélangeur, que ce signal provienne d'une source connectée à une prise d'entrée ou qu'elle provienne de l'étage enregistreur du MT3X. Les atténuateurs sont utilisés pour obtenir le niveau optimal lors de l'enregistrement et pour

réaliser l'équilibre (mélange) du son des pistes de l'étage enregistreur lors de la reproduction d'un enregistrement.

## 8 Sélecteurs d'enregistrement (REC SELECT)

Les sélecteurs REC SELECT sont utilisés pendant l'enregistrement pour assigner (transmettre) les signaux en provenance de chaque canal de l'étage mélangeur, soit directement à la piste correspondante de l'étage enregistreur, soit à une piste différente via les commandes PAN (voir "ASSIGNATION CANAL/PISTE" à la page 45).

### REMARQUE:

Lorsqu'un des sélecteurs REC SELECT est mis sur une position autre que "OFF", l'indicateur rouge "● REC" situé au-dessous de l'indicateur de niveau à barres du canal correspondant (voir "PANNEAU D'AFFICHAGE CENTRAL" à la page 41) se met à clignoter pour indiquer que le MT3X est prêt pour l'enregistrement.

## 9 Touche de synchronisation (SYNC)

Lorsque la touche SYNC est activée (l'indicateur SYNC s'allume), l'entrée et la sortie de la piste 4 de l'étage enregistreur du MT3X sont dirigées vers les prises SYNC IN et OUT de la face arrière. Les prises SYNC IN et OUT peuvent être connectées à l'entrée et à la sortie correspondantes d'un convertisseur MIDI externe tel que le YAMAHA YMC-10, ce qui permet la synchronisation d'enregistreurs de séquence, de programmeurs de rythmes, d'ordinateurs ou autres appareils MIDI similaires, sur la reproduction du MT3X.

### ETAGE MELANGEUR PRINCIPAL

#### ⑩ Commandes de transmission auxiliaire (AUX SEND 1 et AUX SEND 2)

Ces commandes permettent de régler le niveau de sortie d'ensemble des mélanges AUX 1 et AUX 2 produits en utilisant les commandes AUX de canal correspondantes. AUX SEND 1 règle le niveau d'ensemble des signaux du mélange AUX 1 appliqués à la prise AUX SND 1, alors que AUX SEND 2 règle le niveau d'ensemble des signaux du mélange AUX 2 appliqués à la prise AUX SND 2. Ces commandes doivent être utilisées pour assurer un équilibre optimal entre le niveau de sortie AUX SND de l'étage mélangeur et la sensibilité d'entrée du processeur de signaux externe utilisé.

#### ⑪ Commandes de retour auxiliaire (AUX RTN 1 et AUX RTN 2)

Les commandes AUX RTN 1 et AUX RTN 2 déterminent le niveau auquel le signal en provenance d'un processeur de signaux externe transmis par la prise AUX SND sera renvoyé et mélangé au signal de sortie stéréo principal du MT3X. La sortie du processeur de signaux externe transmise par la prise AUX SND 1 ou AUX SND 2 doit être connectée aux prises AUX RTN 1 (R/L) ou AUX RTN 2 (R/L) (voir "UTILISATION DES BOUCLES DE TRANSMISSION/RETOUR" à la page 53).

#### ⑫ Commandes d'écoute de contrôle (MONITOR)

Chacune des quatre commandes MONITOR détermine le niveau du signal de la piste correspondante de l'étage enregistreur qui est transmis à la prise PHONES lorsque le sélecteur PHONES SELECT est sur la position "MONITOR" ou "MIX". Les commandes MONITOR servent principalement à régler les niveaux optima pour l'écoute de contrôle des pistes enregistrées pendant l'enregistrement de nouveaux matériaux (sur-mixage).

#### ⑬ Sélecteur de casque d'écoute (PHONES SELECT)

Le MT3X permet l'écoute de contrôle, via un casque stéréo connecté à la prise PHONES. Le sélecteur PHONES SELECT détermine quels

signaux seront transmis à la prise PHONES pour être contrôlés.

**MONITOR:** Dans cette position seule la sortie des quatre pistes de l'étage enregistreur est transmise directement à la prise PHONES via les quatre commandes MONITOR.

**MIX:** La sortie des quatre pistes de l'étage enregistreur (via les commandes MONITOR) et la sortie stéréo de l'étage mélangeur sont transmises à la prise PHONES.

**STEREO:** Seule la sortie stéréo de l'étage mélangeur est transmise à la prise PHONES.

#### ⑭ Commande de casque d'écoute (PHONES)

La commande PHONES règle à la fois le niveau du signal de casque d'écoute capté à la prise PHONES et le niveau du signal appliqué à la prise MONITOR OUT située sur le panneau arrière, permettant ainsi d'obtenir facilement le niveau d'écoute de contrôle le plus confortable.

#### ⑮ Prise de casque d'écoute (PHONES)

Un casque d'écoute de contrôle, ayant une impédance comprise entre 8 et 40 ohms environ, peut être connecté à cette prise. L'écoute de contrôle par casque est le moyen le plus pratique d'écouter les divers signaux du MT3X, et dans ce but nous préconisons vivement l'achat d'un casque d'écoute de contrôle de bonne qualité. Les casques d'écoute de contrôle YAMAHA de la série RH sont idéals.

#### ⑯ Atténuateur principal (MASTER)

L'atténuateur MASTER permet de régler le niveau de sortie d'ensemble de l'étage mélangeur du MT3X et, par conséquent, le niveau du signal de sortie appliqué aux prises ST OUT. L'atténuateur MASTER règle également le niveau d'enregistrement lorsque des canaux de l'étage mélangeur ont été assignés aux pistes de l'étage enregistreur, via les commandes PAN (voir "REGLAGE DES NIVEAUX D'ENREGISTREMENT" à la page 47).

## ETAGE ENREGISTREUR MULTIPLISTE

### 17 Interrupteur dbx (ON/OFF)

L'interrupteur dbx commande l'activation/désactivation du circuit interne de réduction du bruit dbx du MT3X. Pendant la lecture ou l'enregistrement normal à l'aide du MT3X, l'interrupteur dbx doit être mis sur "ON". Ceci permet d'obtenir un rapport signal/bruit considérablement amélioré (jusqu'à 85 dB) de sorte que les enregistrements seront plus clairs, avec très peu de sifflement de bande. Pour que le système de réduction de bruit dbx soit efficace, il doit être activé aussi bien pendant l'enregistrement et que pendant la lecture. L'interrupteur dbx peut être mis sur "OFF" pendant la lecture de bandes enregistrées sur un autre appareil et non codées dbx.

### 18 Sélecteur de vitesse de défilement (TAPE SPEED)

Le sélecteur TAPE SPEED permet de sélectionner soit la vitesse de défilement standard de 4,75 cm/sec, soit la vitesse spéciale du MT3X de 9,5 cm/sec. Utiliser la vitesse de défilement standard (4,75) pour la lecture de bandes enregistrées sur magnétocassettes standards ou pour des raisons d'économie de bande. Utiliser la vitesse élevée (9,5) pour obtenir une meilleure qualité sonore. L'amélioration de la qualité sonore que donne la vitesse de défilement élevée est importante et nous préconisons d'utiliser cette vitesse pour tous les enregistrements importants.

### 19 Commande de réglage de la vitesse de défilement (PITCH)

La commande PITCH fait varier la vitesse de défilement de la bande de  $\pm 10\%$ , ce qui permet "d'accorder" les matériaux enregistrés avec le MT3X sur la hauteur tonale d'instruments de musique, ou de légèrement prolonger ou réduire le temps de passage d'un enregistrement pour des raisons de synchronisation. La vitesse de défilement est normale lorsque la commande PITCH est à la position centrale marquée par un déclic. Pour accélérer la vitesse de défilement faire coulisser la commande vers l'extrémité "+" de l'échelle et pour la réduire la faire coulisser vers l'extrémité "-".

### 20 Commande d'arrêt sur zéro (ZERO STOP)

La commande ZERO STOP permet de retrouver

rapidement un point spécifique d'une bande. Cette fonction est particulièrement pratique dans le cas d'un enregistrement multipiste du fait qu'il est nécessaire de rembobiner constamment la bande jusqu'au même point pour surmixer (à savoir: enregistrer une nouvelle piste tout en écoutant les pistes précédemment enregistrées). Pour utiliser la fonction ZERO STOP, mettre le compteur de bande (voir plus loin) à "0000" au point qui doit être retrouvé en appuyant sur la touche COUNTER RESET. Ensuite, la commande ZERO STOP étant mise sur "ON" (l'indicateur ZERO STOP "ON" du panneau d'affichage central s'allume), la bande s'arrêtera automatiquement lorsque le compteur atteint "0000" en modes de rembobinage ou d'avance rapide.

### 21 Touche AUTO PUNCH I/O

Cette touche permet d'activer la fonction d'enregistrement punch-in/punch-out automatique du MT3X, faisant ainsi du réenregistrement de n'importe quels segment d'une piste précédemment enregistrée une opération très simple. Lorsque la touche AUTO PUNCH I/O est enfoncée — après avoir spécifié le point de punch-in et le point de punch-out à l'aide de la touche AUTO PUNCH MEMO (voir ci-après) — l'indicateur AUTO PUNCH I/O "I/O" du panneau d'affichage central s'allume pour indiquer que la fonction AUTO PUNCH I/O est activée. Si le mode d'enregistrement est alors déclenché de la manière normale, l'appareil ne se mettra effectivement en mode d'enregistrement que pour la partie spécifiée de la ou des pistes sélectionnées qui sera alors enregistrée automatiquement. Pour plus de détails, voir "enregistrement punch-in/punch-out automatique" à la page 55.

### 22 Touche AUTO PUNCH MEMO

Cette touche est utilisée pour spécifier le point de début et le point de fin (point punch-in et point punch-out) d'activation de la fonction AUTO PUNCH I/O du MT3X. Tout en faisant défiler la bande en mode de lecture, appuyer une première fois sur la touche AUTO PUNCH MEMO pour spécifier le point punch-in (l'indicateur AUTO PUNCH I/O "MEMO" se met à clignoter) et une deuxième fois pour spécifier le point punch-out (l'indicateur AUTO PUNCH I/O "MEMO" reste alors allumé de manière continue). Pour plus de détails,

voir "enregistrement punch-in/punch-out automatique" à la page 55.

### 23 Touche de remise à zéro (COUNTER RESET)

La touche COUNTER RESET permet de remettre le compteur de bande électronique à "0000" sur la position à laquelle se trouve la bande.

### 24 Commandes de défilement

Ces commandes électroniques à effleurement permettent un contrôle sûr et régulier de toutes les fonctions de défilement de la bande.

**Lecture (PLAY):** Lance le défilement de la bande en mode de lecture. L'indicateur vert PLAY du panneau d'affichage central reste allumé pendant la lecture.

**Enregistrement (REC):** Appuyer sur la touche REC pour passer au mode "REC/PAUSE". Si tous les sélecteurs REC SELECT sont sur la position "OFF", l'indicateur rouge REC clignote, alors que l'indicateur vert PAUSE reste allumé continuellement. Si un des sélecteurs REC SELECT est mis sur une position autre que "OFF", l'indicateur rouge REC et l'indicateur vert PAUSE s'allument tous les deux continuellement. Dans ce mode la bande ne défile pas et l'enregistrement n'a pas encore commencé. Lorsque l'appareil est en mode REC/PAUSE, appuyer sur la touche PLAY pour lancer effectivement le défilement de la bande en mode enregistrement (si un des sélecteurs REC SELECT est mis sur une position autre que "OFF"), ou en mode prêt à l'enregistrement (si tous les sélecteurs REC SELECT sont mis sur la position "OFF"). L'indicateur rouge REC et l'indicateur vert PLAY restent allumés pendant l'enregistrement. L'indicateur rouge REC continuera de clignoter et l'enregistrement ne se fera pas si aucun des sélecteurs REC SELECT n'est sur une position d'enregistrement.

#### REMARQUE:

Seules les pistes dont le sélecteur REC SELECT correspondant est mis sur une position d'enregistrement seront enregistrées lorsque le mode d'enregistrement est activé.

#### REMARQUE:

Le mode d'enregistrement ne peut pas être activé si les languettes de protection de la cassette mise en place ont été enlevées.

**PAUSE:** Interrompt la lecture ou l'enregistrement. L'indicateur vert PAUSE s'allume en mode de PAUSE. Appuyer sur la touche PLAY pour sortir du mode de PAUSE et reprendre la lecture ou l'enregistrement.

**Rembobinage (REW) et Avance rapide (FF):** Ces touches lancent le défilement rapide de la bande dans le sens correspondant.

**Arrêt (STOP):** Arrête immédiatement le défilement de la bande quel que soit le mode de fonctionnement.

### 25 Compartiment de cassette

La cassette est mise en place dans ce compartiment. Utiliser **uniquement** des cassettes au chrome (CrO<sub>2</sub>) de qualité supérieure. Tout autre type de cassette ne permettra pas d'obtenir des caractéristiques de fréquence correctes et un bruit minimal avec le MT3X. Soulever tout d'abord le volet du compartiment (une languette se trouve sur le côté droit du volet), introduire ensuite la cassette avec son bord ouvert (le côté où la bande est visible) dirigé vers les commandes de défilement. Pousser le bord arrière (fermé) de la cassette pour le mettre sous le doigt de retenue central à l'arrière du compartiment et pousser ensuite le bord avant (ouvert) dans le mécanisme, **SANS FORCER!** Refermer ensuite le volet du compartiment.

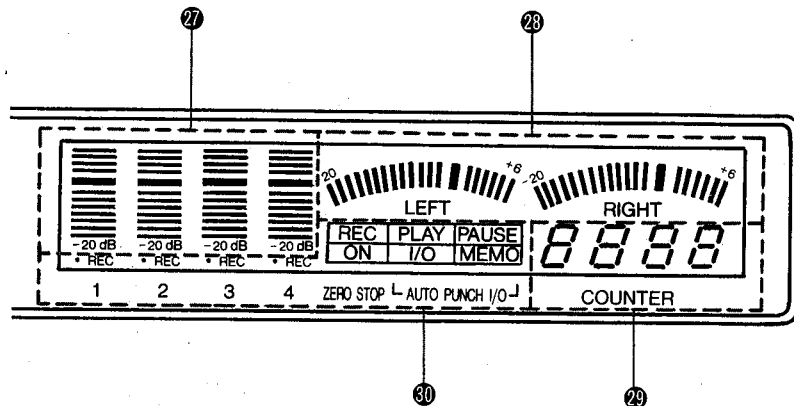
#### REMARQUE:

Du fait que le MT3X utilise toute la largeur de la bande pour enregistrer quatre pistes, la cassette ne peut être enregistrée que sur une seule face. Si on tente de tourner la cassette et d'enregistrer sur l'autre face, tout l'enregistrement déjà effectué sera effacé.

### 26 Prise de pédale (PUNCH I/O)

Une pédale YAMAHA FS-1 en option peut être connectée à cette prise afin de pouvoir commander au pied l'enregistrement punch-in/punch-out (voir "ENREGISTREMENT PUNCH-IN/PUNCH-OUT" à la page 54).

## PANNEAU D'AFFICHAGE CENTRAL



### 27 Indicateurs de niveau des pistes d'enregistrement

Ces quatre indicateurs à barres verticales, du type indicateur de crête, affichent d'une manière précise les niveaux de sortie des quatre pistes de l'étage enregistreur. Les indicateurs de niveau des pistes jouent un rôle important lors du réglage des niveaux d'enregistrement optima pour l'enregistrement de matériaux nouveaux (voir "REGLAGE DES NIVEAUX D'ENREGISTREMENT" à la page 47).

### 28 Indicateurs de niveau principaux (LEFT et RIGHT)

Les indicateurs de niveau horizontaux LEFT et RIGHT affichent le niveau du bus principal stéréo du MT3X, ce qui permet d'avoir une indication visuelle précise du niveau d'ensemble du signal de programme.

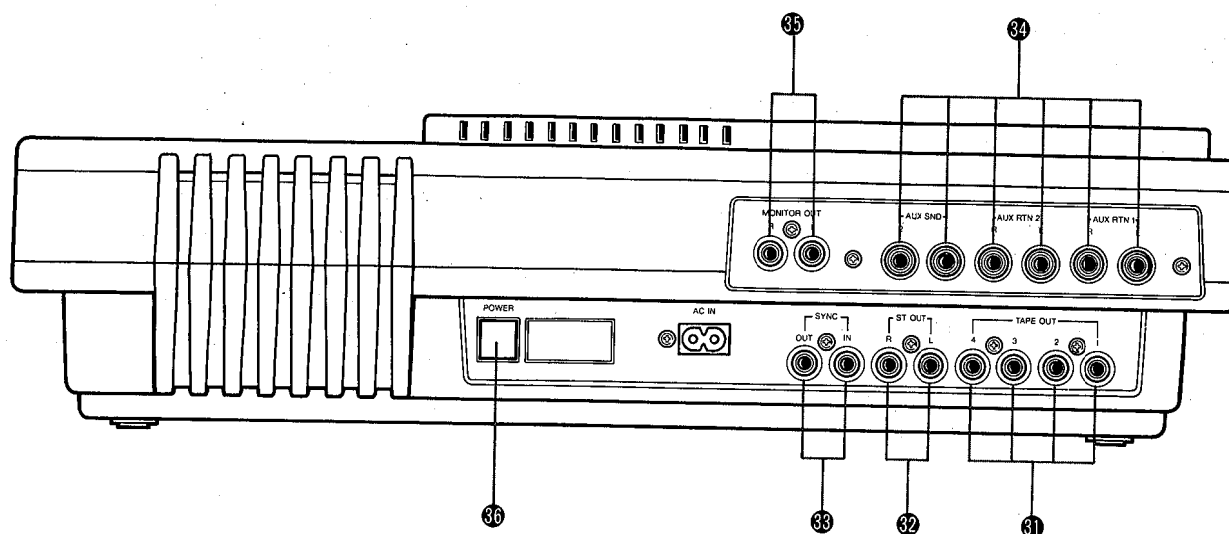
### 29 Compteur de bande électronique

Le compteur de bande électronique à quatre chiffres du MT3X permet de repérer facilement la position de la bande. Il est conseillé de noter les indications du compteur pour tous les points importants d'un enregistrement afin de pouvoir les retrouver facilement plus tard.

### 30 Indicateurs de mode

Les indicateurs "● REC" situés sous les indicateurs de niveau à barres verticales indiquent les pistes prêtes à l'enregistrement, les indicateurs "REC", "PLAY" et "PAUSE" indiquent le mode de défilement de la bande, l'indicateur ZERO STOP "ON" permet de savoir si la fonction ZERO STOP a été activée, alors que les indicateurs AUTO PUNCH I/O "I/O" et "MEMO" indiquent l'état de la fonction AUTO PUNCH I/O.

## PANNEAU ARRIERE



### 31 Prise de sortie de bande (TAPE OUT)

Les quatre prises TAPE OUT sont les sorties directes des pistes correspondantes de l'étage enregistreur du MT3X. Ces prises permettent de transmettre la sortie des quatre pistes de l'étage enregistreur à une table de mixage externe. Les prises TAPE OUT peuvent également être utilisées pour transmettre chaque piste de l'étage enregistreur à des processeurs de signaux externes, dont les sorties peuvent être ensuite retournées aux entrées de l'étage mélangeur du MT3X.

Les prises TAPE OUT sont des prises à broches RCA ayant un niveau de sortie nominal de  $-10$  dB sous une charge supérieure à 50 kohms.

### 32 Prises de sortie stéréo (ST OUT R et L)

Ces prises sont les sorties principales du MT3X; elles fournissent les signaux de sortie stéréo en provenance de l'étage mélangeur du MT3X. Les prises ST OUT peuvent être connectées à un système de sonorisation stéréo, pour le monitoring ou l'écoute, ou à un deuxième enregistreur de cassette pour l'enregistrement d'un "mixage" stéréo d'une bande maîtresse multipiste du MT3X. Les prises ST OUT R et L sont des prises à broches RCA ayant un niveau de sortie nominal de  $-10$  dB sous une charge supérieure à 50 kohms.

### 33 Prises d'entrée et de sortie de synchronisation (SYNC IN et OUT)

Ces prises peuvent être connectées aux entrées et sorties correspondantes d'un convertisseur MIDI externe, comme par exemple le YAMAHA YMC-10, ce qui permet l'enregistrement d'un signal FSK de synchronisation sur la piste 4 de l'étage enregistreur du MT3X (l'interrupteur SYNC du MT3X doit être enclenché). Le signal de synchronisation enregistré peut être utilisé pour synchroniser des enregistreurs de séquence, programmeurs de rythmes, ordinateurs ou autres appareils MIDI similaires, sur la reproduction du MT3X.

### 34 Prises de transmission et de retour (AUX SND et RTN)

Les prises AUX SND (1 et 2) et AUX RTN (1 et 2) facilitent l'utilisation d'un processeur de signaux externe (comme par exemple le processeur d'effets multiples professionnel YAMAHA SPX900) afin d'ajouter des effets aux signaux du MT3X. La prise AUX SEND 1 ou 2 doit être connectée à l'entrée du processeur de signaux et la sortie du processeur de signaux aux prises AUX RTN correspondantes. Des prises stéréo sont prévues pour AUX RTN 1 et 2, ce qui assure la compatibilité avec une grande variété de processeurs de signaux à hautes performances du type à entrée mono/sortie stéréo que l'on trouve actuellement sur le marché.

Le fait d'avoir deux boucles AUX SEND/RTN assure une plus grande souplesse de traitement des signaux. (voir "UTILISATION DES BOUCLES DE TRANSMISSION/RETOUR" à la page 53).

③ Prises de sortie d'écoute de contrôle (MONITOR OUT L et R)

Ces prises sortent la version niveau de ligne du signal sorti par la prise PHONES et il est donc possible de sélectionner le signal à l'aide du sélecteur PHONE SELECT. Le niveau de MONITOR OUT est réglé à l'aide de la commande PHONES. Les prises MONITOR OUT peuvent être utilisées pour alimenter un système ampli de puissance/enceintes acoustiques pour l'écoute de

contrôle sans casque.

④ Interrupteur d'alimentation (POWER)

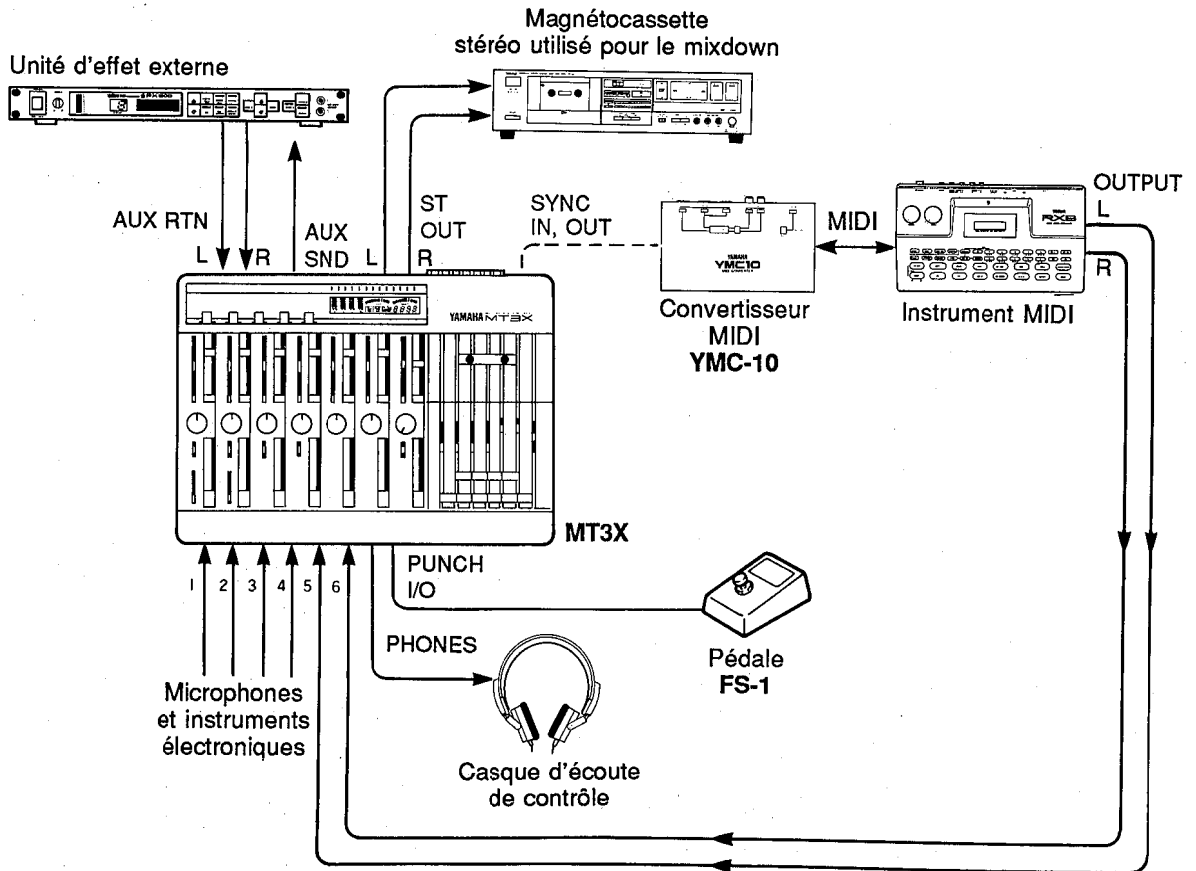
Appuyer une première fois sur l'interrupteur POWER pour mettre l'appareil sous tension et une deuxième fois pour le mettre hors tension.

**REMARQUE:**

Ceux qui ont l'habitude des schémas de principe des équipements électroniques peuvent se reporter au "SCHEMA DE PRINCIPE" donné à la page 59 pour avoir une vue d'ensemble de tous les circuits du MT3X.

## EXEMPLE DE RACCORDEMENT

### — RACCORDEMENTS DE BASE —





# METHODE D'ENREGISTREMENT

---

*Enregistrer au moyen du MT3X est une opération très simple. Il est possible de réaliser des enregistrements relativement complexes avec un minimum d'appareils: le MT3X, un casque d'écoute de contrôle et un instrument, un microphone ou une autre source de signaux.*

L'essentiel de la méthode d'enregistrement multipiste peut être résumé de la manière suivante:

## **1. Enregistrement de la première piste**

- a) Assignation canal/piste
- b) Réglage du niveau d'enregistrement
- c) Enregistrement

## **2. Surmixage des pistes restantes**

- a) Assignation canal/piste pour chaque surmixage
- b) Réglage du niveau d'enregistrement de chaque surmixage
- c) Enregistrement des surmixages

## **3. Enregistrement en ping-pong et surmixage de pistes supplémentaires (si nécessaire)**

## **4. Mixdown**

- a) Réglage en vue de l'écoute de contrôle du mixage
- b) Préparation d'un premier mixage et addition d'effets
- c) Préparation définitive et répétition du mixage
- d) Raccordement des prises ST OUT du MT3X à un magnétocassette stéréo
- e) Enregistrement (sur un magnétocassette stéréo à partir du MT3X)

Ces étapes (de même que la signification des termes d'enregistrement utilisés) seront expliquées en détail ci-après, aussi il est conseillé de lire les chapitres suivants dans l'ordre, afin de se faire une idée claire de la méthode d'enregistrement.

# ENREGISTREMENT DE LA PREMIERE PISTE

## ETAPE 1: ASSIGNATION CANAL/PISTE

La première étape de tout enregistrement est d'assigner le canal auquel l'instrument (ou une autre source) est connecté à une des pistes de l'étage enregistreur.

Selon ce qui est enregistré, il peut s'avérer nécessaire d'enregistrer un seul instrument (ou autre source) sur une seule piste de l'étage enregistreur, ou de combiner plusieurs instruments (ou plusieurs autres sources) et de les enregistrer sur une même piste. Le MT3X offre deux méthodes "d'assignation canal/piste" pouvant être utilisées séparément ou conjointement afin d'obtenir l'assignation de canal souhaitée.

### ● Assignation canal/piste directe

Avec cette méthode, les signaux de l'instrument ou de la source connecté à un des quatre premiers canaux de l'étage mélangeur sont appliqués directement à la piste de l'étage enregistreur ayant le même numéro. Il est possible de cette manière d'enregistrer une seule piste ou jusqu'à quatre pistes simultanément.

Dans le cas d'assignation canal/piste directe, le sélecteur REC SELECT du canal (ou des canaux) à enregistrer doit être mis sur un numéro (1, 2, 3 ou 4). Par exemple, si le sélecteur REC SELECT du canal 1 est mis sur "1", les signaux du canal 1 seront directement transmis à la piste 1 de l'étage enregistreur. Il en est de même pour tous les autres canaux et pistes.

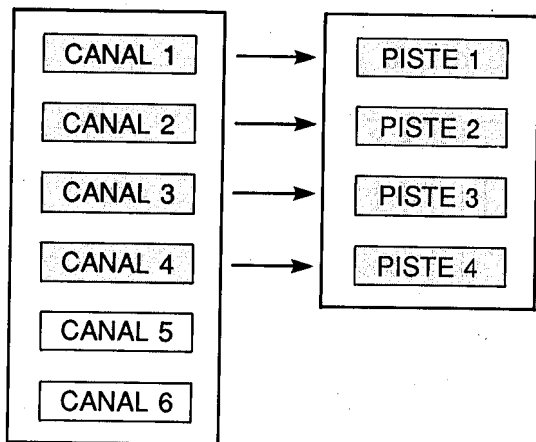
### ● Assignation canal/piste panoramique

La méthode d'assignation canal/piste panoramique permet d'assigner plusieurs des canaux de l'étage mélangeur à une seule piste de l'étage enregistreur, ou un seul canal à plusieurs pistes.

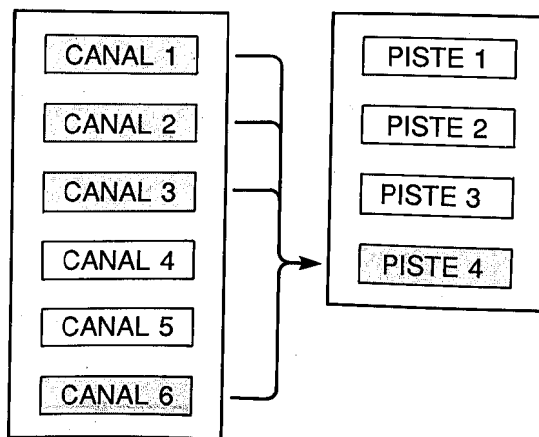
Chaque sélecteur REC SELECT a une position "L" et une position "R". Ces positions correspondent aux canaux gauche (L) et droit (R) de la sortie de l'étage mélangeur. Si, par exemple, un sélecteur REC SELECT est mis sur la position "L", n'importe quel des six canaux de l'étage mélangeur peut alors être assigné à la piste ayant le même numéro en tournant la commande PAN à fond vers la position "LEFT". Il est possible, par exemple, d'assigner le canal 1 à la piste 4 en mettant le sélecteur REC SELECT du canal 4 sur "R" et en tournant la commande PAN du canal 1 à fond sur la position "RIGHT".

L'exemple d'assignation illustré ci-dessous est obtenu en mettant le sélecteur REC SELECT du canal 4 sur "R" et en tournant les commandes PAN des canaux 1, 2, 3 et 6 à fond sur la position "RIGHT". La commande PAN du canal 4 et celle du canal 5 sont tournées à fond sur la position "LEFT" afin d'empêcher que leurs signaux soient dirigés vers la piste 4 de l'étage enregistreur.

ETAGE MELANGEUR      ETAGE ENREGISTREUR



ETAGE MELANGEUR      ETAGE ENREGISTREUR



## ETAPE 2: PREPARATION DU SYSTEME D'ECOUTE DE CONTROLE

Une fois qu'une source est connectée à un canal d'entrée et que ce canal a été assigné à une des pistes de l'étage enregistreur, il est nécessaire de préparer le système d'écoute qui permettra de contrôler la piste au fur et à mesure de l'enregistrement.

### ● **Ecoute de contrôle par PHONES ou MONITOR OUT**

L'écoute de contrôle par l'intermédiaire d'un casque d'écoute connecté à la prise PHONES ou par l'intermédiaire d'un système de sonorisation connectés aux prises MONITOR OUT offre une grande souplesse de contrôle et cette méthode est conseillée dans le cas d'enregistrements ordinaires. Le sélecteur PHONES SELECT permet de sélectionner de la manière suivante le signal qui sera contrôlé:

**MONITOR:** Dans cette position seule la sortie des quatre pistes de l'étage enregistreur est envoyée directement aux prises PHONES et MONITOR OUT via les quatre commandes MONITOR. Les commandes MONITOR sont utilisées pour préparer le "mixage" de contrôle. Cette méthode est idéale pour l'écoute de contrôle générale pendant l'enregistrement parce qu'elle permet de préparer un mixage de contrôle indépendamment des atténuateurs de canal. Les matériaux déjà enregistrés sur l'une des pistes d'enregistrement sont appliqués aux prises PHONES et MONITOR OUT par l'intermédiaire de la commande MONITOR correspondante, à condition que les sélecteurs REC SELECT des canaux de lecture soient sur la position "OFF".

**MIX:** La sortie des quatre pistes de l'étage enregistreur (via les commandes MONITOR) et la sortie stéréo de l'étage mélangeur sont transmises aux prises PHONES et MONITOR OUT.

**STEREO:** Seule la sortie stéréo de l'étage mélangeur est transmise aux prises PHONES et MONITOR OUT. Ce réglage est pratique pour effectuer le mixdown d'un enregistrement multipiste terminé, car il permet d'écouter le résultat produit par les atténuateurs des canaux de l'étage mélangeur et l'ajout d'un effet au moyen des commandes AUX SEND et RTN tout en réalisant le mixage.

### ● **Ecoute de contrôle par un système de sonorisation connecté aux prises ST OUT**

Il est également possible pour effectuer l'écoute de contrôle d'utiliser un système de sonorisation stéréo avec enceintes acoustiques, ou une paire d'enceintes de monitoring indépendantes (comme par exemple les enceintes de monitoring indépendantes YAMAHA MS101) connectées aux prises ST OUT L et R du MT3X. Lors de l'écoute de contrôle via un système de sonorisation, seules la sortie stéréo de l'étage mélangeur du MT3X peut être contrôlée. C'est la même situation que dans le cas de l'écoute de contrôle par casque avec le sélecteur PHONES SELECT mis sur la position STEREO. L'utilisation d'un système de sonorisation n'est donc pas conseillée pour le contrôle d'enregistrements ordinaires, par contre elle est vivement conseillée pour le mixdown du fait qu'elle permet de contrôler le mixage dans des conditions plus proches des conditions d'écoute réelles de la bande terminée, à savoir via un système de sonorisation et des enceintes acoustiques.

#### **REMARQUE:**

Les enceintes ne doivent pas être utilisées pour l'écoute de contrôle en cas d'enregistrement par microphones, du fait que le son de contrôle sera piqué par le ou les microphones ce qui gâchera l'enregistrement.

## ETAPE 3: REGLAGE DES NIVEAUX D'ENREGISTREMENT

*Le réglage de niveaux d'enregistrement optima est absolument essentiel pour obtenir un enregistrement dont la qualité sera la meilleure possible.*

1. Commencer en réglant à la position minimale ("0") l'atténuateur du canal devant être utilisé et en réglant la commande d'équilibre MIC/LINE à fond vers LINE (en cas d'enregistrement via le canal 1 ou le canal 2).
2. Une fois que tous les réglages sont effectués, lancer la lecture de la source au niveau le plus élevé (le plus fort) auquel elle sera jouée pendant l'enregistrement.
3. Régler l'atténuateur MASTER à "7" ou "8" et augmenter progressivement le réglage de l'atténuateur de canal jusqu'à ce que la source puisse être entendue et que les indicateurs de niveau LEFT et/ou RIGHT commencent à s'animer. Si la source est un instrument électrique (guitare ou basse) ou un microphone, alors que l'enregistrement se fait via le canal 1 ou le canal 2, il est possible qu'il soit également nécessaire de faire coulisser la commande

MIC/LINE vers la position MIC afin que la lecture de l'indicateur de niveau soit suffisamment élevée. Régler l'atténuateur de canal (et le cas échéant la commande MIC/LINE) de manière à ce que la lecture de l'indicateur de niveau soit généralement comprise entre "0" et "+3". Le témoin CLIP du canal 1 ou 2 ne devrait pas s'allumer ou ne s'allumer que sur les crêtes de niveau élevé. Idéalement parlant, l'atténuateur de canal devrait être réglé à "7" ou "8" pour obtenir ces indications. Ceci a pour but d'assurer le rapport signal/bruit le meilleur possible tout en laissant une plage positive et négative suffisante pour effectuer les réglages ultérieurs. Si le réglage de l'atténuateur est loin des valeurs préconisées, essayer d'utiliser la commande de volume de l'instrument ou autre source pour obtenir la lecture optimale avec l'atténuateur réglé à "7" ou "8".

## ETAPE 4: ENREGISTREMENT

*Une fois que l'assignation du canal d'entrée à une piste d'enregistrement, que le contrôle des réglages de monitoring et que le réglage du niveau optimal d'enregistrement de la piste ont été effectués, il ne reste plus qu'à enregistrer.*

1. S'assurer qu'une cassette est en place dans le compartiment et qu'elle est rembobinée jusqu'au point où l'enregistrement doit commencer. Il est conseillé alors de remettre le compteur de bande à "0000", en appuyant sur la touche RESET, afin de pouvoir plus tard retrouver automatiquement le début de l'enregistrement en utilisant la fonction ZERO STOP.
2. Appuyer sur la touche REC et ensuite sur la touche PLAY pour lancer l'enregistrement, attendre quelques secondes et commencer à jouer.
3. Lorsque l'enregistrement de la piste est terminé, appuyer sur la touche STOP, mettre le sélecteur REC SELECT de la piste qui vient d'être enregistrée sur "OFF", rembobiner la bande (la bande s'arrêtera automatiquement lorsque le

compteur atteint "0000" si la commande ZERO STOP a été enclenchée).

4. Lancer la lecture de l'enregistrement (appuyer sur la touche PLAY) et l'écouter pour vérifier que tout est bien comme prévu.

### REMARQUE:

Lors de l'enregistrement de la première piste, il est vital d'enregistrer une ou deux mesures de "repérage" avant de commencer à jouer effectivement de l'instrument car, dans le cas contraire, il s'avèrera extrêmement difficile de synchroniser le début de la seconde piste avec celui de la première.

# SURMIXAGE

---

*Le surmixage est un procédé qui consiste à enregistrer une nouvelle piste (ou plusieurs) tout en écoutant les pistes déjà enregistrées. En cas d'enregistrement sur un maximum de quatre pistes, procéder au surmixage de la deuxième, de la troisième et de la quatrième pistes de la manière indiquée. En cas d'utilisation de la technique d'enregistrement en "ping-pong" en vue d'enregistrer sur plus de quatre pistes, n'enregistrer que les trois premières pistes et passer ensuite à l'étape en ping-pong (voir "ENREGISTREMENT EN PING-PONG" à la page 49).*

1. Connecter l'instrument ou autre source à enregistrer à une entrée de canal disponible.
2. S'assurer que les sélecteurs REC SELECT des pistes déjà enregistrées sont sur la position "OFF" afin qu'elles ne soient pas effacées lors de l'enregistrement de la nouvelle piste.
3. Faire l'assignation canal/piste pour la nouvelle piste.
4. Vérifier les réglages d'écoute de contrôle pour s'assurer qu'il sera possible de contrôler aussi bien la piste (ou les pistes) déjà enregistrée que la nouvelle piste à enregistrer (le sélecteur PHONES SELECT doit être sur la position MIX).
5. Régler le niveau d'enregistrement de la nouvelle piste.
6. Il est possible maintenant de "répéter" le surmixage sans l'enregistrer en lançant la lecture des pistes déjà enregistrées et en jouant le nouveau morceau.
7. Rembobiner la bande jusqu'au début du morceau et commencer à enregistrer.

Procéder de la même manière pour le surmixage des pistes 3 et 4.

# ENREGISTREMENT EN PING-PONG

L'enregistrement en ping-pong est une technique permettant d'enregistrer plus de 4 parties avec un appareil à 4 pistes.

L'enregistrement en ping-pong permet, par exemple, d'enregistrer sur les pistes 1, 2 et 3 et de réenregistrer ces pistes sur la piste 4 en utilisant les commandes de mixage pour régler l'équilibre entre les 3 pistes d'origine. La piste 4 contient alors un "mixage" des 3 premières pistes et les pistes 1, 2 et 3 sont disponibles pour effectuer de nouveaux enregistrements. Ceci est déjà l'équivalent de 6 "pistes" sur un enregistreur à 4 pistes. Pendant le mixage des 3 premières pistes dans la piste 4, il est également possible d'ajouter un instrument via l'étage mélangeur du MT3X. Ceci permet d'avoir 4 parties enregistrées sur la piste 4 de la bande. Avec les 3 autres pistes toujours disponibles pour l'enregistrement cela donne un total de 7 pistes. Si maintenant on n'enregistre que 2 des pistes restantes et qu'on les réenregistre en "ping-pong" sur la piste 3 tout en ajoutant un autre instrument, on obtient alors 4 parties sur la piste 4, 3 parties sur la piste 3, plus 2 pistes disponibles; soit un total de 9. En appliquant toujours cette méthode, il est en fait possible d'enregistrer jusqu'à 10 pistes individuelles sans réenregistrer une seule piste plus d'une fois (voir l'illustration).

## REMARQUE:

La réalisation de l'enregistrement en ping-pong est une étape importante car les pistes en faisant l'objet doivent être parfaitement mélangées avant de pouvoir passer à l'enregistrement des pistes suivantes. Ceci est dû au fait qu'une fois le ping-pong réalisé et le nouveau matériau enregistré sur les pistes d'origine, leur équilibre et leur son individuels ne peuvent plus être modifiés à moins de revenir en arrière et de recommencer à zéro l'enregistrement de ces pistes.

## REMARQUE:

Il est recommandé d'enregistrer à la vitesse de 9,5 cm/sec. et avec le système dbx enclenché si l'on envisage de combiner les pistes par la technique ping-pong. Dans certaines conditions, le fait d'utiliser la vitesse de 4,75 cm/sec. avec le système de réduction de bruit libéré peut provoquer une rétroaction acoustique quand une piste précédemment enregistrée est ré-enregistrée sur une piste adjacente.

## EXEMPLE: Enregistrement en ping-pong des pistes "1" à "10"

	Enregistrer les parties 1, 2 et 3.	Enregistrer en ping-pong 1 2 et 3 sur la piste 4 tout en ajoutant la partie 4.	Enregistrer les parties 5 et 6.	Enregistrer en ping-pong 5 et 6 sur la piste 3 tout en ajoutant la partie 7.	Enregistrer la partie 8.	Déplacer 8 sur la piste 2 tout en ajoutant 9.	Enregistrer 10, la dernière partie.
PISTE 1	1		5		8		10
PISTE 2	2		6			8 + 9	8 + 9
PISTE 3	3			5, 6 + 7	5, 6 + 7	5, 6 + 7	5, 6 + 7
PISTE 4		1, 2, 3 + 4	1, 2, 3 + 4	1, 2, 3 + 4	1, 2, 3 + 4	1, 2, 3 + 4	1, 2, 3 + 4

---

## EXEMPLE D'UN ENREGISTREMENT EN PING-PONG

Ci-dessous est un exemple de la manière de procéder pour enregistrer en ping-pong sur la piste 4 les matériaux déjà enregistrés sur les pistes 1, 2 et 3.

Les commandes doivent être réglées de la manière suivante:

- **Sélecteurs TAPE-OFF-LINE**

S'assurer que les sélecteurs TAPE-OFF-LINE 1, 2 et 3 sont réglés sur la position TAPE et que le sélecteur du canal 4 est sur la position OFF.

- **Atténuateur de canal**

Commencer par régler les atténuateurs des canaux 1 à 3 autour de "7" et régler celui du canal 4 à "0".

- **Commandes d'égalisation**

Les mettre toutes sur la position centrale.

- **Atténuateur MASTER**

Le régler autour de "7".

- **Sélecteurs REC SELECT**

Les sélecteurs REC SELECT des canaux 1 à 3 doivent être sur la position "OFF" et celui du canal 4 doit être sur "R".

- **Commandes AUX SEND**

Régler pour le moment les quatre commandes AUX SEND sur la position MIN.

- **Commandes PAN**

Du fait que le sélecteur REC SELECT du canal 4 est réglé sur "R", les commandes PAN des canaux 1 à 3 doivent être tournées à fond dans le sens des aiguilles d'une montre (droite) pour assigner les signaux des pistes 1, 2 et 3 à la piste 4 de la bande.

- **Commandes AUX RTN**

Les régler pour le moment sur MIN.

- **Sélecteur PHONES SELECT**

Le régler sur STEREO.

- **Commandes MONITOR**

Ne jouent aucun rôle.

1. Lancer la lecture de la bande. Régler les atténuateurs des canaux 1, 2 et 3, en faisant très attention, de manière à obtenir l'équilibre voulu entre les trois premières pistes. A noter que pendant le réglage de l'équilibre entre les pistes, la lecture de l'indicateur de niveau RIGHT peut fluctuer considérablement (les trois canaux sont assignés au bus stéréo DROIT). Régler le mixage de manière que la lecture maximale de l'indicateur de niveau RIGHT soit autour de "0". Il sera facile de compenser les fluctuations de niveau lors des réglages du mixage de ping-pong à l'aide de l'atténuateur MASTER.

2. Lorsque tous les réglages ont été correctement effectués, rembobiner la bande jusqu'au début et lancer l'enregistrement. Attendre que l'enregistrement en ping-pong soit terminé, puis arrêter l'enregistreur. Lancer la lecture de la bande et écouter attentivement la piste qui vient de faire l'objet du ping-pong (la piste 4 dans cet exemple, mettre les sélecteurs TAPE-OFF-LINE des canaux 1 à 3 sur OFF et celui du canal 4 sur TAPE). Si quelque chose ne semble pas correct, revenir en arrière et recommencer l'enregistrement en ping-pong. Il est possible de recommencer autant de fois que nécessaire jusqu'à ce que les résultats obtenus soient parfaits, passer ensuite à l'étape suivante.

3. Surmixer et procéder, si nécessaire, à l'enregistrement en ping-pong des pistes restantes.

# MIXDOWN

---

Le "mixdown" est la dernière étape du processus d'enregistrement au cours de laquelle la bande maîtresse multipiste est transformée en une bande maîtresse mono ou stéréo qui est de fait le produit fini. Cette étape demande le réenregistrement de la bande multipiste, via l'étage mélangeur du MT3X, sur un magnétocassette stéréo conventionnel, tout en apportant la touche finale à l'équilibre des pistes pour obtenir exactement le son recherché. Les pistes peuvent être progressivement affaiblies ou accentuées, si besoin est, et une égalisation ou une réverbération d'ensemble peut être ajoutée en utilisant des processeurs de signaux externes. Les commandes PAN de l'étage mélangeur peuvent être utilisées pour positionner chaque piste à l'emplacement voulu dans le champ stéréo et il est même possible de balayer le son d'un canal à l'autre afin de créer un effet puissant.

Les commandes doivent être réglées de la manière suivante:

- **Sélecteurs TAPE-OFF-LINE**

S'assurer que les quatre sélecteurs TAPE-OFF-LINE sont réglés sur la position TAPE.

- **Atténuateurs de canal**

Régler tous les canaux à "0".

- **Sélecteurs REC SELECT**

Tous les sélecteurs REC SELECT doivent être sur la position OFF.

- **Commandes d'égalisation**

Pour le moment, les mettre toutes sur la position centrale.

- **Commandes AUX et AUX SEND**

Pour le moment, régler toutes les commandes AUX et AUX SEND sur la position MIN.

- **Commandes PAN**

Commencer avec toutes les commandes PAN réglées à la position centrale.

- **Atténuateur MASTER**

Le régler autour de "7" ou "8".

- **Commandes AUX RTN**

Les régler pour le moment sur MIN.

- **Sélecteur PHONES SELECT**

Le régler sur STEREO en cas de mixage en utilisant un casque d'écoute ou un système de sonorisation connecté aux prises MONITOR OUT. Nous préconisons

l'utilisation d'un système de sonorisation externe ou d'une paire d'enceintes de monitoring indépendantes (comme par exemple les enceintes de monitoring YAMAHA MS101) connectées aux prises ST OUT pour effectuer le mixdown. Dans un tel cas le réglage du sélecteur PHONES SELECT ne joue aucun rôle.

- **Commandes MONITOR**

Mettre toutes les commandes MONITOR sur "0".

- **Interrupteur dbx**

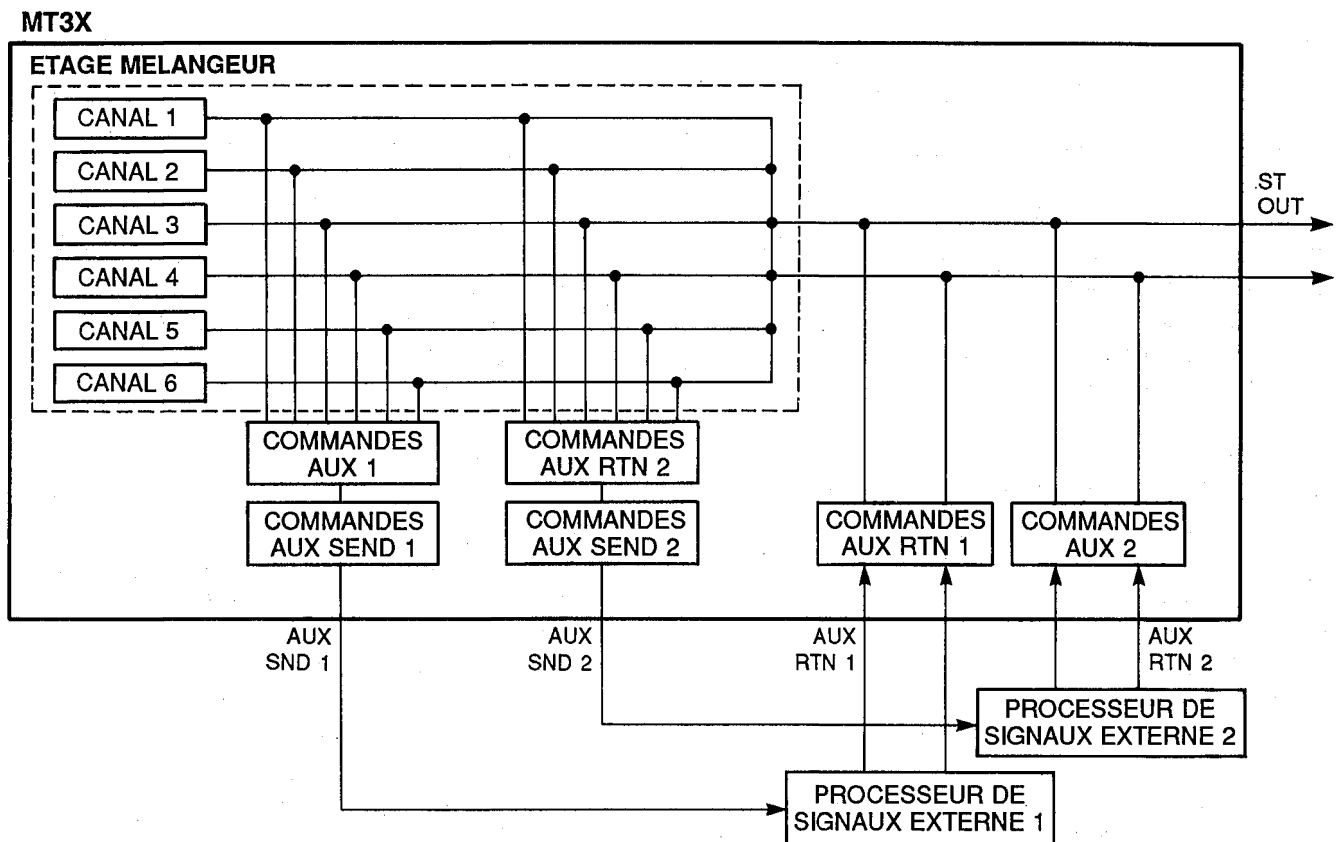
Si l'enregistrement a été commencé avec l'interrupteur dbx sur "ON" le laisser sur "ON". S'il était sur "OFF", le laisser sur "OFF".



1. Choisir une position d'écoute centrale confortable faisant face aux enceintes de monitoring.
2. Ecouter, évaluer et régler individuellement le son de chaque piste. Ceci signifie augmenter le cas échéant le réglage de l'atténuateur d'une seule piste ou ajouter des effets ou autres traitements de signaux et recommencer le même processus pour chacune des pistes jusqu'à ce que toutes les pistes aient été soigneusement contrôlées. Si un appareil externe de traitement de signaux, comme par exemple le processeur d'effets multiples professionnel YAMAHA SPX900, est connecté aux boucles AUX SEND/RTN du MT3X de la manière décrite au chapitre suivant (UTILISATION DES BOUCLES DE TRANSMISSION/RETOUR), il suffit de sélectionner l'effet voulu sur le processeur de signal et de l'ajouter à chaque piste en utilisant les commandes AUX. La ou les commandes AUX RTN doivent également être réglées à un niveau approprié.
3. Lorsque chaque piste a été individuellement contrôlée, régler tous les atténuateurs de canaux autour de "7" ou "8" et lancer la lecture de la bande. Régler les atténuateurs de manière à obtenir le meilleur équilibre d'ensemble possible. Régler maintenant les commandes PAN afin de placer chaque piste sur la position voulue dans le champ sonore stéréo. Ecouter à nouveau très attentivement: y a-t-il trop ou pas assez de réverbération sur une piste? Régler à nouveau les commandes AUX pour obtenir l'effet recherché. L'équilibre n'est pas parfait? Régler jusqu'à ce qu'il soit satisfaisant. L'égalisation est-elle correcte? Il est possible qu'il soit nécessaire de jouer sur les commandes d'égalisation pour parfaire le mélange. Nous préconisons également d'essayer les affaiblissements ou effets pan éventuellement prévus pour l'enregistrement du mixage.
4. Lorsque tout est en ordre, passer aux préparations en vue de l'enregistrement. Connecter les prises ST OUT du MT3X aux entrées d'un magnétocassette stéréo. Brancher le casque d'écoute à la prise de casque du magnétocassette stéréo pour écouter pendant l'enregistrement, ou le laisser connecté à la prise PHONES du MT3X et écouter en mettant le sélecteur PHONES SELECT sur la position STEREO. Il est possible aussi de connecter les prises MONITOR OUT à un système de sonorisation pour l'écoute de contrôle sans casque. Utiliser les commandes de réglage de niveau du magnétocassette stéréo et, le cas échéant, l'atténuateur MASTER du MT3X pour obtenir le niveau d'enregistrement optimal. Une fois cela effectué, lancer l'enregistrement. L'atténuateur MASTER du MT3X peut également être utilisé pour ajouter un affaiblissement progressif à la fin du morceau.

# UTILISATION DES BOUCLES DE TRANSMISSION/RETOUR

Les commandes AUX 1 et AUX 2 du MT3X fonctionnent comme deux mélangeurs auxiliaires dont les signaux d'entrée proviennent des six canaux de l'étage mélangeur et qui combinent ces signaux en un signal mono sorti via les prises AUX SND 1 et AUX SND 2 (voir le schéma suivant). Il est possible d'utiliser les commandes AUX SEND pour créer deux "mixages avec effet", entièrement indépendants du mixage principal, appliquant ainsi l'effet requis aux signaux de chaque canal. Un ou les deux signaux AUX SEND sont transmis à l'entrée d'un processeur de signaux externe (reverb, écho ou autre), alors que la sortie du processeur de signaux est renvoyée aux prises AUX RTN correspondantes. Le niveau du signal reçu par les prises AUX RTN peut être réglé à l'aide de la commande AUX RTN et le signal obtenu est mélangé au signal de sortie stéréo principal du MT3X. Du fait que le signal de retour avec effet est mélangé au signal de sortie stéréo de l'étage mélangeur, les boucles AUX SEND/RTN sont idéales pour ajouter des effets à chaque piste pendant la dernière étape de mixdown.



## REMARQUE:

Du fait que les boucles AUX SEND/RTN renvoient les signaux avec effet aux sorties stéréo de l'étage mélangeur, des effets peuvent être ajoutés au canal pendant l'enregistrement en ping-pong, à condition d'avoir utilisé la méthode d'assignation canal/piste panoramique. Les boucles AUX SEND/RTN ne peuvent pas être utilisées pour ajouter des effets pendant l'enregistrement de pistes ayant été assignées par la méthode d'assignation canal/piste directe.

# ENREGISTREMENT PUNCH-IN/PUNCH-OUT

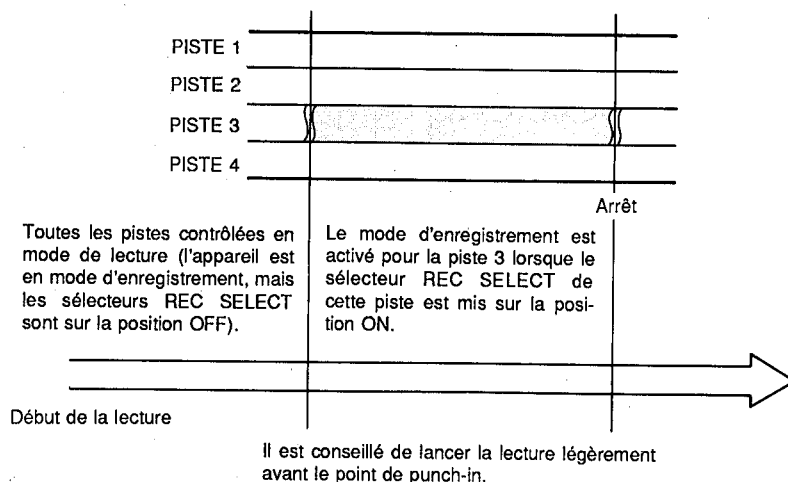
L'enregistrement punch-in/punch-out permet de réenregistrer un segment court sur une piste dans le but de corriger une erreur ou de "retoucher" un passage important. Le "punch-in" se fait au point de départ de l'enregistrement du nouveau segment et le "punch-out" à la fin, de sorte que les matériaux précédemment enregistrés ne sont pas effacés. La fonction de punch-in/punch-out automatique du MT3X rend cette opération encore plus facile.

## ● Punch-in/punch-out manuel au moyen des sélecteurs REC SELECT

1. Mettre l'appareil en mode prêt à l'enregistrement, quelques mesures avant le début du segment à réenregistrer, en appuyant d'abord sur la touche REC et ensuite sur la touche PLAY et en mettant tous les sélecteurs REC SELECT sur la position OFF. L'indicateur rouge REC clignote pour indiquer que l'appareil est en mode prêt à l'enregistrement. Le sélecteur PHONES SELECT doit être mis sur MIX afin de pouvoir écouter toutes les pistes et la source qui va être enregistrée.
2. Choisir une interruption qui convienne dans la piste à corriger pour la passer au mode enregistrement (le punch-in se fait en mettant le sélecteur REC SELECT de cette piste sur la position d'enregistrement appropriée) et commencer à jouer le nouveau segment à enregistrer. L'indicateur rouge REC restera allumé continuellement dès que le sélecteur REC SELECT est mis sur une position d'enregistrement.
3. A la fin du segment réenregistré, remettre l'appareil en mode de lecture (le punch-out se fait en remettant le sélecteur REC SELECT de cette piste sur la position OFF). L'indicateur rouge REC recommencera alors à clignoter.

## ● Punch-in/punch-out par pédale

1. Connecter une pédale YAMAHA FS-1 (en option) à la prise PUNCH I/O du MT3X.
2. Mettre le sélecteur REC SELECT de la piste concernée sur la position d'enregistrement appropriée et appuyer sur la touche REC pour activer le mode REC/PAUSE. L'indicateur rouge REC devrait se mettre à clignoter au lieu de rester allumé continuellement. Si l'indicateur rouge REC reste continuellement allumé, appuyer une fois sur la pédale pour le faire clignoter.
3. Appuyer sur la touche PLAY pour mettre l'appareil en mode prêt à l'enregistrement.
4. Appuyer sur la pédale pour faire le punch-in. L'indicateur rouge REC reste alors allumé continuellement.
5. Appuyer sur la pédale une deuxième fois pour faire le punch-out. L'indicateur rouge REC recommencera alors à clignoter.



## ● **Punch-in/Punch-out automatique**

Cette fonction sophistiquée du MT3X permet de prédéfinir les points de punch-in et de punch-out afin de ne pas avoir à toucher aux commandes pendant l'opération proprement dite.

1. Mettre le sélecteur REC SELECT de la piste concernée sur la position d'enregistrement appropriée.
2. Utiliser la touche AUTO PUNCH MEMO pour spécifier le point de début et celui de fin (punch-in et punch-out) d'activation de la fonction AUTO PUNCH I/O du MT3X. Pendant que la bande défile en mode de lecture, appuyer sur la touche AUTO PUNCH MEMO une première fois pour spécifier le point de punch-in (l'indicateur AUTO PUNCH I/O "MEMO" se met à clignoter) et une deuxième fois pour spécifier le point de punch-out (l'indicateur AUTO PUNCH I/O "MEMO" reste allumé continuellement).
3. Rembobiner la bande jusqu'en un point situé juste avant le point de punch-in (en utilisant le compteur de bande électronique).
4. Appuyer sur la touche AUTO PUNCH I/O pour activer la fonction de punch-in/punch-out automatique. l'indicateur AUTO PUNCH I/O "I/O" du panneau d'affichage central s'allume alors pour indiquer que la fonction AUTO PUNCH I/O est activée.

5. Appuyer sur les touches REC et PLAY pour lancer le défilement de la bande en mode AUTO PUNCH I/O. Un peu avant d'atteindre le point de punch-in l'indicateur rouge REC se met à clignoter. Dès que le point de punch-in est atteint, le mode d'enregistrement est activé et l'indicateur rouge REC reste allumé continuellement. Lorsque le point de punch-out est atteint, le mode d'enregistrement est automatiquement désactivé.

### **REMARQUE:**

Le mode AUTO PUNCH I/O ne peut pas être activé lorsque la bande est rembobinée au-delà du point de punch-in.

### **REMARQUE:**

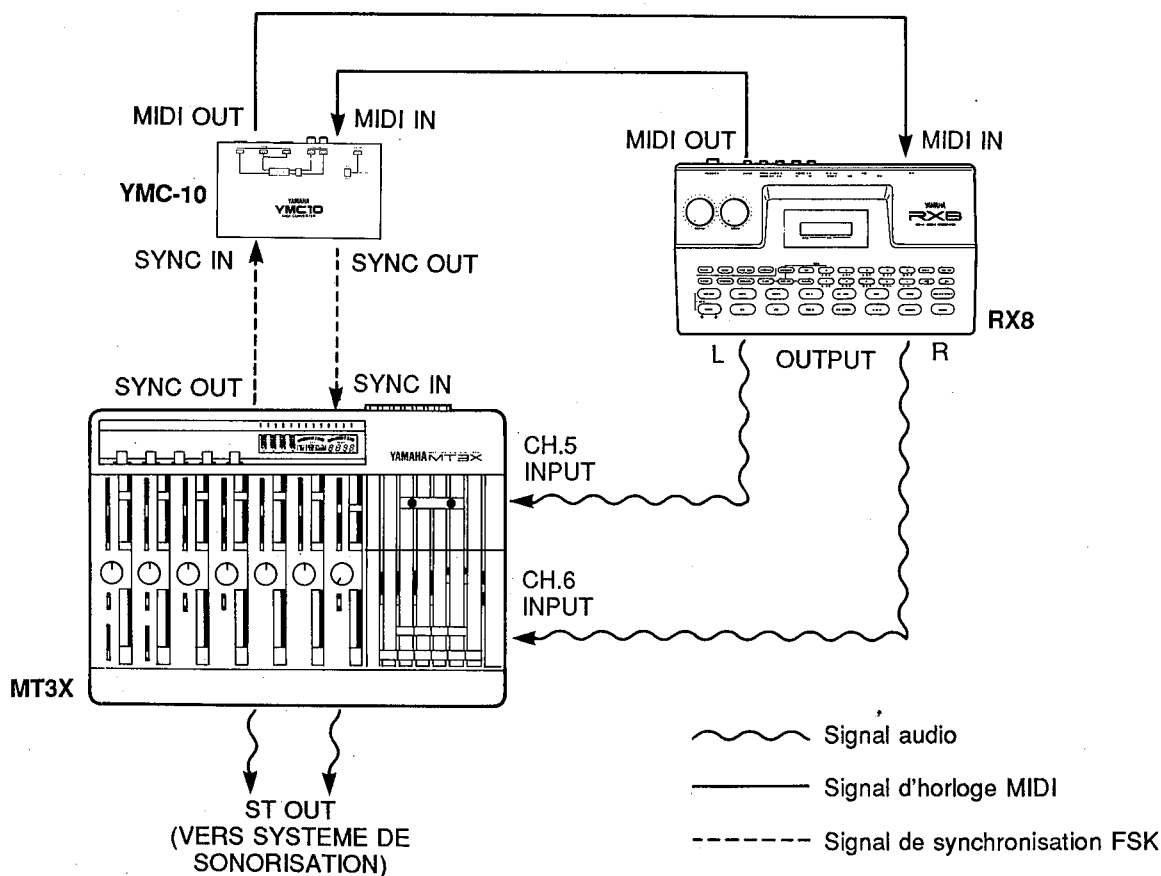
Le mode AUTO PUNCH I/O peut être désactivé en appuyant une deuxième fois sur la touche AUTO PUNCH I/O, alors que l'indicateur MEMO peut être éteint en appuyant deux fois sur la touche MEMO, une première fois pour que l'indicateur "MEMO" se mette à clignoter et une deuxième fois pour qu'il s'éteigne.

# UTILISATION SYNCHRONISEE MIDI

En utilisant un convertisseur MIDI externe, tel que le YAMAHA YMC-10, il est possible de synchroniser des appareils MIDI tels que des enregistreurs de séquence, des programmeurs de rythmes numériques, des ordinateurs ou tout autre appareil MIDI similaire, pour la reproduction de matériaux enregistrés sur le MT3X.

Un exemple simple d'un système MIDI synchronisé est donné ci-dessous. Dans cet exemple, le convertisseur MIDI YMC-10 convertit les signaux d'horloge générés par le programmeur de rythmes numérique RX8 en un signal audio FSK (de Frequency Shift-Keyed, modulé par déplacement de fréquence) qui peut être enregistré sur bande. De la même manière, le YMC-10 reconvertit le signal de synchronisation FSK de la bande en un signal d'horloge MIDI qui contrôlera le RX8. Avant de commencer à enregistrer sur la bande, la touche SYNC du MT3X doit être activée, le pattern rythmique programmé du RX8 doit être reproduit et le signal de synchronisation généré par le YMC-10 doit être enregistré sur la piste 4 par la méthode d'enregistrement normale. Si le RX8 est alors mis en mode "EXTERNAL SYNC" (ce qui permet son contrôle par des signaux MIDI externes) et que la bande est reproduite, le RX8 se mettra en route, fonctionnera et s'arrêtera en réponse aux

signaux de la piste de synchronisation. Une fois ceci effectué, il est possible de surmixer, ou même d'enregistrer en ping-pong, les trois pistes restantes de la bande en utilisant le rythme du RX8 comme référence. Du fait que la piste de synchronisation ne contrôle que la vitesse et la mise en route/arrêt du RX8, le pattern rythmique peut être édité et reprogrammé à volonté sans perte de la synchronisation. Les mêmes principes de base s'appliquent à la synchronisation d'un enregistreur de séquence MIDI, d'un ordinateur MIDI ou de tout autre appareil similaire. Si un nombre important de sources externes sont synchronisées sur la bande, il est possible qu'une petite table de mixage supplémentaire soit nécessaire pour combiner les signaux des sources en un signal stéréo qui pourra être renvoyé aux entrées des canaux 5 et 6 de l'étage mélangeur du MT3X.



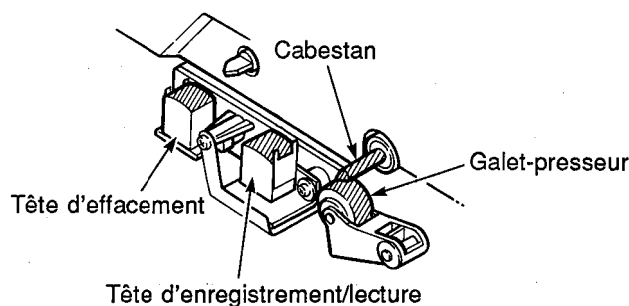
# ENTRETIEN

---

La tête d'enregistrement et lecture du MT3X est un organe de grande précision qui a été fabriqué avec de très faibles tolérances afin de permettre un enregistrement sur 4 pistes de haute qualité. Des performances optimales ne pourront être obtenues que si la surface des têtes est toujours immaculée. Le nettoyage doit être effectué régulièrement: au minimum toutes les 10 heures de fonctionnement. Des têtes sales peuvent être à l'origine de l'un ou de plusieurs des problèmes suivants:

- Enregistrement, lecture et effacement impossibles
- Niveau sonore de lecture réduit
- Fluctuation et/ou distorsion du son
- Bruit excessif
- Chute du niveau à hautes fréquences

Si l'un de ces problèmes se produit, nettoyer les têtes avec soin avant de présumer que l'appareil est défectueux. Utiliser un kit de nettoyage pour têtes disponible dans le commerce (lire attentivement les instructions données sur le mode d'emploi du kit), ou nettoyer les têtes avec un chiffon ou un morceau de coton légèrement imbibé d'alcool de nettoyage. Nettoyer le cabestan et le galet-presseur en même temps que les têtes.



**\* Nettoyer les parties ombrées**

# SPECIFICATIONS

## TRANSPORT DE LA BANDE

Type de bande:	<i>Chrome (70 microsec EQ)</i>
Têtes:	<i>Tête lecture/enregistrement en permalloy à 4 canaux, Tête d'effacement en ferrite à 4 canaux</i>
Vitesse de défilement:	<i>4,75 cm/sec., 9,5 cm/sec.</i>
Réglage de vitesse:	<i>±10%</i>
Pleurage et scintillement:	<i>Moins de 0,15% WRMS</i>
Durée de rembobinement:	<i>Environ 100 sec, pour une bande C-60</i>
Moteur:	<i>Servo-moteurs CC (2)</i>

## CONNECTEURS

Input 1 et 2:	Impédance d'entrée	<i>10 kohms</i>
	Niveau d'entrée nominal	<i>-10 dB à -50 dB (atténuateur nominal)</i>
	Niveau d'entrée maxi.	<i>+10 dB (équilibre mini.)</i>
	Niveau d'entrée mini.	<i>-56 dB (équilibre, atténuateur maxi)</i>
Input 3 à 6:	Impédance d'entrée	<i>10 kohms</i>
	Niveau d'entrée nominal	<i>-10 dB (atténuateur nominal)</i>
	Niveau d'entrée mini.	<i>-16 dB (atténuateur maxi)</i>
Aux Return 1 et 2 (L, R):	Impédance d'entrée	<i>10 kohms</i>
	Niveau d'entrée nominal	<i>-10dB (atténuateur nominal)</i>
	Niveau d'entrée mini.	<i>-16dB (atténuateur maxi)</i>
Stereo Out L et R:	Impédance de sortie	<i>1 kohm</i>
	Impédance de charge	<i>Supérieure à 10 kohms</i>
	Niveau de sortie nominal	<i>-10dB sous 50 kohms</i>
Phones Out:	Impédance de charge	<i>8 à 40 ohms</i>
	Niveau de sortie maxi.	<i>100 mW + 100 mW/40 ohms</i>
Monitor Out L et R:	Impédance de sortie	<i>1 kohm</i>
	Impédance de charge	<i>Supérieure à 10 kohms</i>
	Niveau de sortie nominal	<i>-10dB sous 50 kohms</i>
Tape Out 1 à 4:	Impédance de sortie	<i>1 kohm</i>
	Impédance de charge	<i>Supérieure à 10 kohms</i>
	Niveau de sortie nominal	<i>-10 dB sous 50 kohms</i>
Aux Send 1 et 2:	Impédance de sortie	<i>1 kohm</i>
	Impédance de charge	<i>Supérieure à 10 kohms</i>
	Niveau de sortie nominal	<i>-10 dB sous 50 kohms</i>

## SPECIFICATIONS ELECTRIQUES

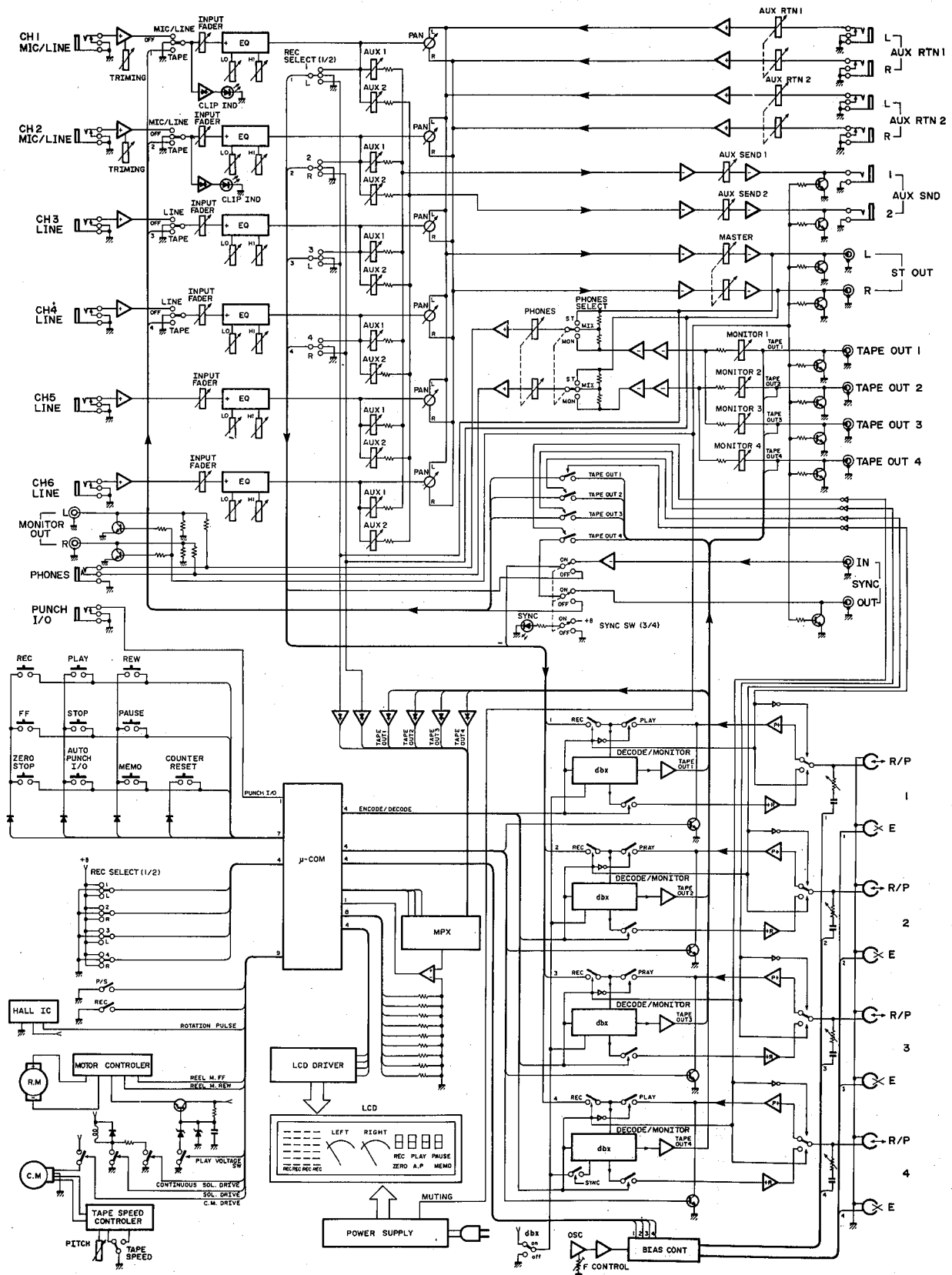
Réponse en fréquence (NR OUT):	<i>40 Hz à 18 kHz, ±3 dB à 9,5cm/sec.</i> <i>40 Hz à 12,5 kHz, ±3 dB à 4,75cm/sec.</i>
Rapport Signal/Bruit:	<i>85 dB, dbx "ON", IHF-A</i>
Distorsion:	<i>1,5%, 315 Hz (EIAJ)</i>
Séparation entre canaux:	<i>Plus de 55 dB à 1 kHz</i>
Taux d'effacement:	<i>Plus de 70 dB à 1 kHz</i>
Réduction de bruit:	<i>dbx*</i>
Egalisation (coupe):	<i>maxi. ±12 dB (HI: 10 kHz, LO: 100 Hz)</i>

## SPECIFICATIONS GENERALES

Alimentation électrique:	<i>Modèle US et Canada: secteur 120 V, 60 Hz</i> <i>Modèle général: secteur 220/240 V, 50/60 Hz</i>
Consommation électrique:	<i>Modèle US et Canada: 24 watts</i> <i>Modèle général: 19 watts</i>
Dimensions (L x H x P):	<i>443 x 107 x 325 mm</i>
Poids:	<i>Modèle US et Canada: 3,7 kg</i> <i>Modèle général: 3,9 kg</i>

\* dbx est une marque de fabrique de "dbx incorporated". • 0 dB = 0,775 Veff  
• Toutes les spécifications sont susceptibles d'être modifiées sans aucun avis.

# SCHEMA DE PRINCIPE





*Deutsch*

MEHRSPUR-KASSETTENDECK

**MT3X**

BEDIENUNGSANLEITUNG

# HERZLICHEN GLÜCKWUNSCH!

und vielen Dank für den Kauf des Mehrspur-Kassetendecks MT3X, dem vielseitigen, kreativen Werkzeug zum Aufnehmen, Schneiden, Editieren und Wiedergeben von Klangmaterial. Dieses Mehrspur-Kassetendeck besticht durch seine einfache Bedienung und seine praxisbezogenen Funktionen. Ob Mikrofonaufnahmen von Akustikinstrumenten oder Gesang, Aufzeichnungen von elektronischen Instrumenten oder Tonquellen über die Direkteingänge, oder Kombination solch unterschiedlicher Aufnahmearten, das MT3X vereinfacht das Musikschaffen gewaltig. Sie können damit vier separate Spuren aufzeichnen und miteinander abmischen, oder aber mit Hilfe der Pingpong-Mehrspurtechnik bis zu 10 verschiedene Stimmen aufzeichnen, eine nach der anderen, bis Sie das erwünschte Arrangement haben. Und damit Sie Fehler korrigieren können, steht Ihnen die mit Auto Punch-in/out bezeichnete Auto-Einfügaufnahmefunktion zur Verfügung. Dadurch können Sie bestimmte Spurabschnitte mit automatischem Aufstart und -stopp akkurat überspielen und müssen nicht die ganze Spur neu aufnehmen. Dank der vielseitigen Funktionen und dem hochwertigen Mischmodul mit 6 Eingangskanalzügen und zwei Effektschleifen eignet sich das MT3X nicht nur für Bands, sondern auch zum Arrangieren. Und da das MT3X aus dem Hause YAMAHA kommt, sind überragende Klangqualität und Leistung natürlich Ehrensache.

Um die vielseitigen Funktionen des MT3X und sein Potential voll ausschöpfen zu können, sollten Sie diese Anleitung aufmerksam durchlesen und sie zur späteren Bezugnahme sorgfältig aufbewahren.

## INHALT

VORSICHTSMASSNAHMEN .....	62
VOR DER INBETRIEBNAHME .....	63
BEDIENELEMENTE UND ANSCHLÜSSE .....	65
ANSCHLUSSBEISPIELE .....	73
AUFNAHME .....	74
AUFNAHME AUF DIE ERSTE SPUR .....	75
SCHRITT 1: KANAL/SPURZUWEISUNG .....	75
SCHRITT 2: AUFNAHMEÜBERWACHUNG .....	76
SCHRITT 3: AUSSTEUERN DER AUFNAHMEPEGEL .....	77
SCHRITT 4: AUFNAHME .....	77
SYNCHRONAUFNAHME (OVERDUBBING) .....	78
PINGPONG-AUFNAHME (SPURMISCHAUFNAHME) .....	79
BEISPIEL FÜR EINE PINGPONG-AUFNAHME .....	80
MASTERMISCHUNG (STEREO-ABMISCHUNG) .....	81
VERWENDUNG DER AUX SEND/RTN-SCHLEIFE .....	83
PUNCH-IN/OUT-AUFNAHME (EINFÜGAUFNAHME) .....	84
Manueller Einfügaufnahmestart/stopp .....	84
Einfügaufnahmestart/stopp per Fußschalter .....	84
Automatischer Einfügaufnahmestart/stopp .....	85
MIDI-SYNCHRONISIERUNG .....	86
WARTUNG .....	87
TECHNISCHE DATEN .....	88
BLOCKDIAGRAMM .....	89

# VORSICHTSMASSNAHMEN

## 1. VOR DIREKTER SONNENEINSTRALUNG, HITZE, FEUCHTIGKEIT, STAUB UND VIBRATION SCHÜTZEN.

Das Gerät niemals an Orten aufstellen, wo es übermäßigem Staub, Feuchtigkeit oder hohen Temperaturen (z.B. in der Nähe von Heizkörpern oder Öfen) ausgesetzt ist. Ebenso Stellen vermeiden, an denen starke Vibrationen auftreten (Gefahr mechanischer Schäden am Gerät).

## 2. VOR STOSS SCHÜTZEN.

Starke Stöße können zu Schäden am Gerät führen. Daher das Gerät stets mit der gebotenen Umsicht behandeln.

## 3. KEINESFALLS DAS GERÄT ÖFFNEN ODER EIGENHÄNDIG REPARATUREN SOWIE VERÄNDERUNGEN VORNEHMEN.

Das MT3X enthält keine vom Laien zu wartenden Teile. Sämtliche Wartungs- und Reparaturarbeiten nur von qualifizierten YAMAHA-Kundendienst-technikern ausführen lassen. Das Öffnen des Gehäuses und/oder Änderungen an internen Schaltkreisen bewirkt Garantieverlust.

## 4. VOR DEM ANSCHLIESSEN ODER ABTREN- NEN VON KABELN DAS GERÄT AUS- SCHALTEN.

Das Gerät stets vor dem Anschließen oder Abtrennen von Kabeln ausschalten, um das MT3X selbst sowie die angeschlossenen Geräte vor möglichen Schäden durch plötzliche Schaltimpulse zu bewahren.

## 5. KABEL VORSICHTIG BEHANDELN.

Zum Anschließen und Abtrennen die Kabel — auch das Netzkabel — stets an den Steckern anfassen.

## 6. MIT EINEM WEICHEN UND TROCKENEN TUCH REINIGEN

Zur Reinigung des Geräts keinesfalls Benzin oder Verdünner, sondern ein weiches, trockenes Tuch verwenden.

## 7. STETS AUF KORREKTE NETZSPANNUNG ACHTEN.

Die Betriebsspannung des MT3X wird bereits ab Werk auf die Netzspannung des Bestimmungslandes eingestellt (Betriebsspannungswerte und Leistungsaufnahme sind auf der Geräteunterseite aufgeführt). Nach einem Umzug in ein Land mit anderen Netzspannungswerten, unbedingt den nächsten YAMAHA-Händler vor der Inbetriebnahme konsultieren.

## 8. KÖPFE UND BANDTRANSPORTWEG REGELMÄSSIG REINIGEN

Saubere Tonköpfe und ein sauberer Bandtransportmechanismus sind Voraussetzung für gute Leistungen des MT3X. Daher die Köpfe und den Bandweg des MT3X regelmäßig (am besten vor jeder Aufnahme) reinigen. Dazu einen speziellen Reiniger für Kassettendecks verwenden.

## 9. NUR HOCHWERTIGE CHROMBAND- KASSETTEN VERWENDEN

Das MT3X ist ausschließlich auf Chromdioxidbänder kalibriert und kann mit anderen Bandsorten nicht die normalen Leistungen erbringen. Nur gute Markenbänder verwenden.

### Bescheinigung des Importeurs

Hiermit wird bescheinigt, daß der / die / das

#### **Multitrack Cassette Recorder Typ : MT3X**

(Gerät, Typ, Bezeichnung)

in Übereinstimmung mit den Bestimmungen der

#### **VERFÜGUNG 1046/84**

(Amtsblattverfügung)

funktentstört ist.

Der Deutschen Bundespost wurde das Inverkehrbringen dieses Gerätes angezeigt und die Berechtigung zur Überprüfung der Serie auf Einhaltung der Bestimmungen eingeräumt.

**YAMAHA Europa GmbH**

Name des Importeurs

# VOR DER INBETRIEBNAHME

## ■ Was ist der Unterschied zwischen Kanälen und Spuren

Die Bezeichnungen "Kanal" und "Spur" werden oft miteinander verwechselt. Um dieses Gerät korrekt einsetzen zu können, müssen Sie die Bedeutung dieser beiden Worte klar verstehen.

### SPUR:

Die Spur auf dem Band selbst, auf der ein bestimmtes Signal aufgezeichnet wird. Das Band in einer Kassette besitzt vier verschiedene Spuren, wodurch vier verschiedene Signale aufgenommen werden können. Bei herkömmlichen Aufnahmen befinden sich auf jeder Kassettenseite (Abspielrichtung) zwei Spuren (linke und rechte Stereospur).

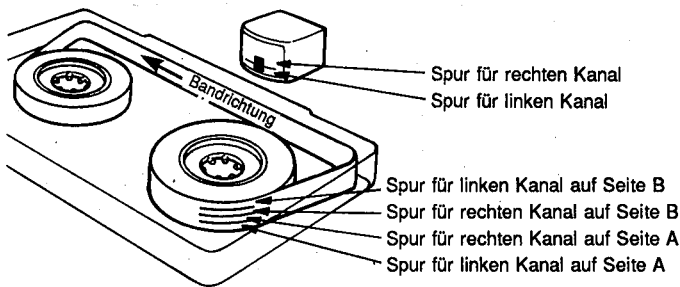
### KANAL:

Kanal repräsentiert den Weg eines Eingangs- oder Ausgangssignals. Dieses Deck verfügt über sechs Eingangskanäle und zwei AUX-Kanäle. Die Ausgangsstufe weist einen Stereokanal (bestehend aus linkem und rechtem Mono-Kanal) und einen AUX-Kanal auf.

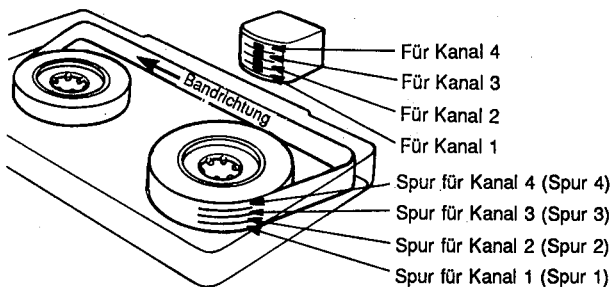
## ■ WAS IST EIN MEHRSPUR-KASSETTENDECK?

Der Unterschied zwischen dem MT3X Mehrspur-Kassettendeck und einem herkömmlichen Stereo-Kassettendeck ist nachfolgend verdeutlicht.

### HERKÖMMLICHES STEREO-KASSETTENDECK



### MT3X MEHRSPUR-KASSETTENDECK



Das Diagramm zeigt die Spuranordnung eines Bandes, mit der es von herkömmlichen Stereo-Kassetten decks bespielt und wiedergegeben wird. Die vier Spuren (jeweils 2 pro Abspielrichtung) auf dem Band enthalten dabei das linke und rechte Stereosignal auf beiden Kassettenseiten. Das MT3X hingegen bespielt oder reproduziert hingegen alle vier Spuren nur in einer Abspielrichtung.

Der Bandtransport von Stereo-Kassetten decks kann nur jeweils in einer Betriebsart arbeiten. Bei Aufnahme und Wiedergabe bestimmt daher die Kassettenseite, d. h. die Bandrichtung, welche zwei Spuren verwendet werden. Daher kann bei diesen Decks nicht auf eine Spur aufgenommen werden, während eine andere wiedergegeben wird.

Mehrspur-Kassetten decks ermöglichen jedoch die gleichzeitige Wiedergabe von Spuren, während auf andere aufgenommen wird. Damit gewähren diese Decks mehr Freiheit bei der Aufnahme und Wiedergabe als herkömmliche Stereo-Kassetten decks.

## ■ TIPS ZUR VERWENDUNG VON KASSETTENBÄNDERN

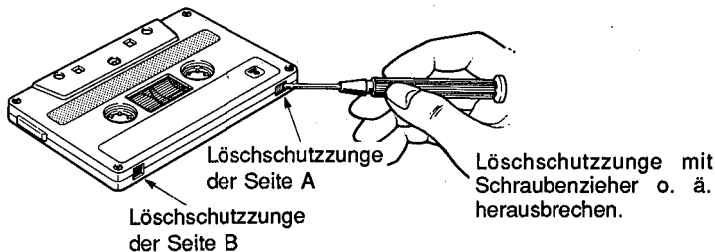
Dieses Gerät ist **ausschließlich auf Chromdioxidbänder ausgelegt** und erbringt daher mit Reineisenbändern keine guten Ergebnisse. Daher sollten nur Chrombänder (Bias: HIGH; EQ: 70  $\mu$ s) eingesetzt werden, um korrekte Vormagnetisierung und Entzerrung zu erhalten. Darüber hinaus ist von der Verwendung von C-120 Bändern abzuraten. Diese Bänder sind zu dünn, führen zu schlechteren Leistungen und können Störungen im Bandtransportmechanismus verursachen.

### ● Löschsutzungen

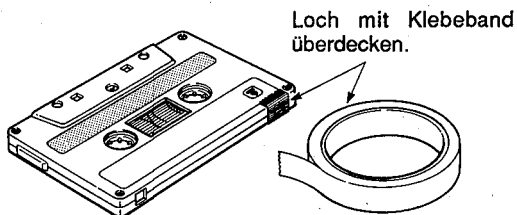
Um wichtige Aufnahmen vor versehentlichem Löschen zu schützen sind alle Kassetten mit Löschsutzungen versehen. Falls diese Zungen mit einem Schraubenzieher herausgebrochen werden, kann die entsprechende Seite nicht erneut bespielt werden. Damit können Sie Ihre wichtigen Aufnahmen vor versehentlichem Überspielen oder Löschen schützen. Bei 4-Spuraufnahmen müssen Sie jedoch jeweils die Löschsutzungen für beide Kassettenseiten (A und B) entfernen.

Falls eine Kassette mit entfernten Löschsutzungen erneut bespielt werden soll, müssen Sie nur die Zungenlöcher mit Klebeband abdecken.

### • LÖSCHSCHUTZ:

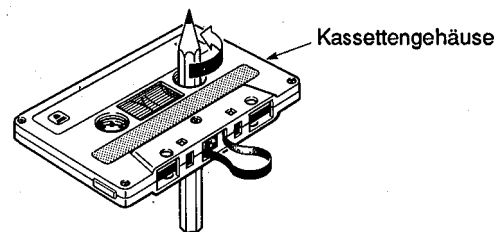


### • AUFNAHME AUF KASSETTE MIT ENTFERNTEN LÖSCHSCHUTZUNGEN:



### ● Straffen von lockeren Bändern

Wenn Kassetten mit locker aufgewickelten Bändern eingelegt werden, kann es an Kapstan oder Andruckrolle zu "Bandsalat" kommen. Um dies auszuschließen, vor dem Einlegen einen Bleistift oder Kugelschreiber in eine Spule stecken und drehen, um das Band zu straffen.

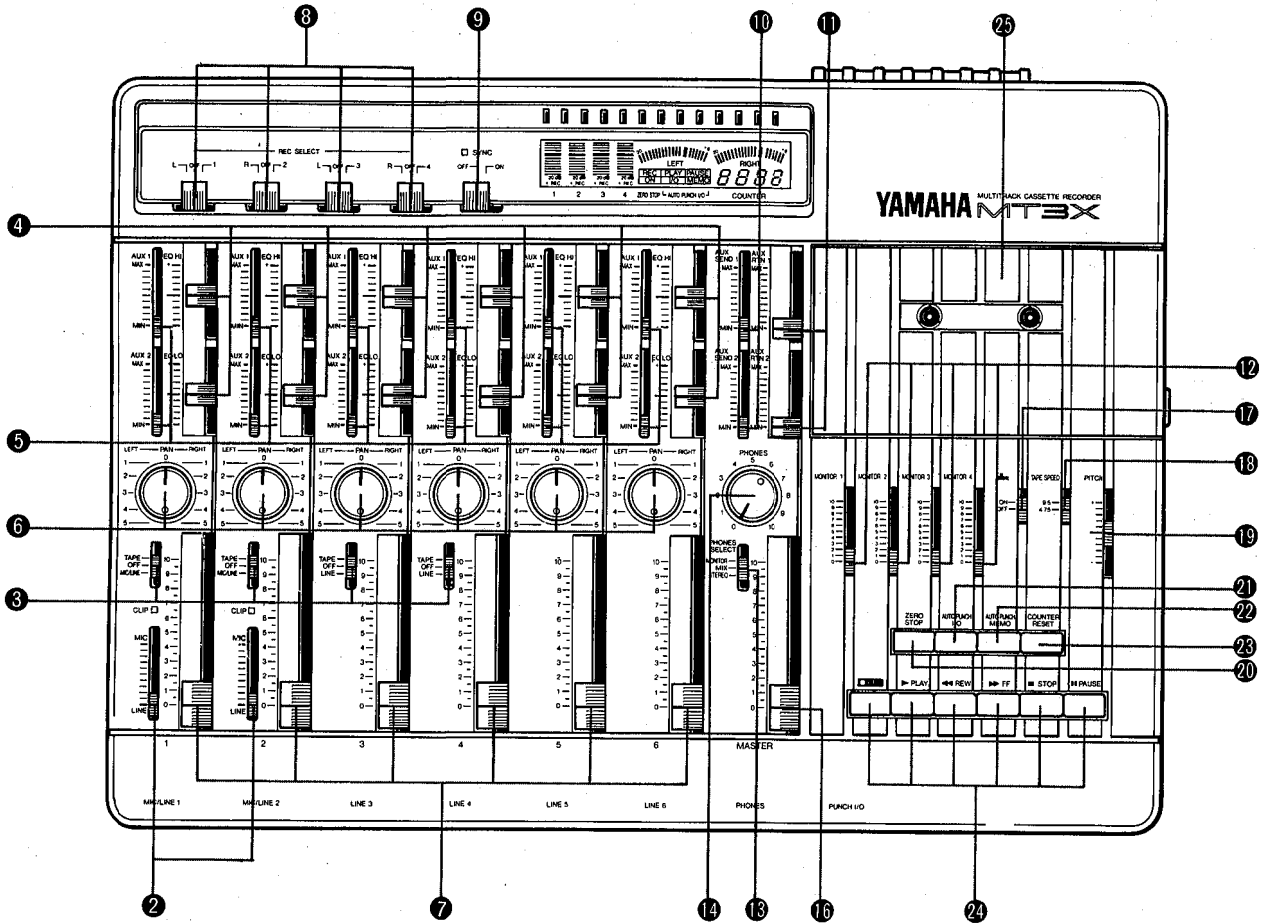


### ● Lagern von Kassetten

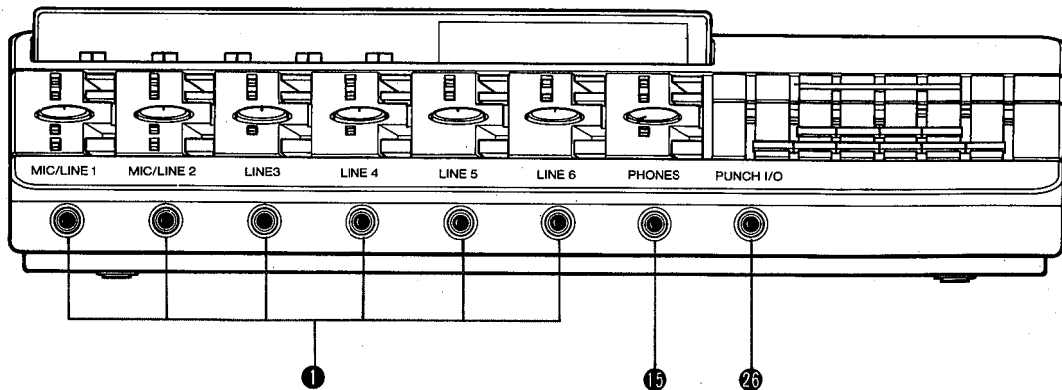
Um ein Lockern des Bandes zu verhindern, sollten nach Gebrauch Arretierungen in die Spulennaben gesteckt werden, oder die Kassetten in ihr Schutzgehäuse gegeben werden. Kassetten müssen vor direkter Sonneneinstrahlung, Hitze und Feuchtigkeit geschützt werden, um Bandschäden zu verhindern. Außerdem sollten Kassetten keinesfalls in die Nähe von starken magnetischen Feldern gebracht werden, wie sie von Fernsehgeräten, Lautsprechern usw. erzeugt werden. Magnetfelder können Löschung oder Klangveränderungen verursachen.

# BEDIENELEMENTE UND ANSCHLÜSSE

## — BEDIENKONSOLE —



## — ANSCHLUSSFELD —



## KANÄLE UND SPUREN

Die Begriffe "Kanal" und "Spur" in dieser Anleitung werden zur Unterscheidung zwischen den vier "Kanälen" des Mischmoduls im MT3X und den vier "Spuren" des Rekordermoduls verwendet. "Spur" bezieht sich auf die vier auf Band aufgezeichneten "Spuren".

### MISCHMODUL-EINGANGSKANÄLE

#### ① Eingänge 1 — 6

Diese sechs Eingänge verarbeiten die Signale von hochpegeligen Quellen wie elektronische Musikinstrumente oder Kassettendecks. An die Eingänge 1 und 2 können außerdem die Signale von elektrischen Musikinstrumenten wie E-Gitarre oder E-Baß sowie Mikrofonsignale gelegt werden. Bei allen sechs Eingängen handelt es sich um 1/4 Zoll Standard-Klinkenbuchsen. Wenn eine Signalquelle an einen dieser Eingänge angeschlossen ist, wird deren Signal zu dem entsprechenden Kanal des im MT3X integrierten Mischmoduls gesendet.

#### ② Trimmregler (MIC/LINE) (nur Kanäle 1 & 2)

Die Trimmregler dienen zum Abgleichen der Eingangsempfindlichkeit der Kanalzüge 1 und 2, um diese auf verschiedenste Eingangssignalpegel, von Line (Hochpegel) bis Mikrofon, abstimmen zu können. Die Trimmregler werden in Kombination mit den Fadern von Kanal 1 und 2 verwendet, um den optimalen Aufnahmepegel für einen weiten Bereich von Signalquellen einstellen zu können (siehe AUSSTEUERN DER AUFNAHMEPEGEL auf Seite 77).

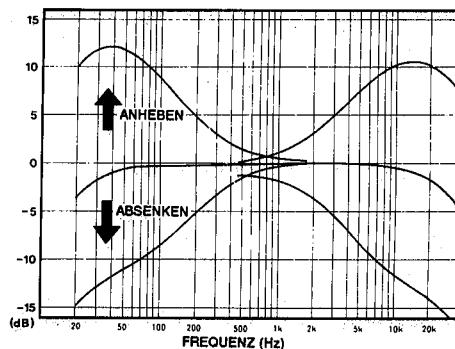
#### ③ Eingangssignal-Wahlschalter (TAPE-OFF-LINE) (nur Kanäle 1 bis 4)

Diese Wahlschalter bestimmen, ob am Eingang des jeweiligen Kanalzugs das Ausgangssignal der entsprechend nummerierten Spur oder aber das Mikrofon- oder Hochpegelsignal von der entsprechenden Eingangsbuchse anliegt. In der OFF-Stellung ist der entsprechende Kanaleingang stummgeschaltet. Kanäle 5 und 6 verfügen nicht über diese Schalter, da sie nur Hochpegelsignale verarbeiten können.

#### ④ Entzerrerregler (EQ LO & HI)

Mit diesen Reglern kann der Frequenzgangverlauf der Kanäle individuell gesteuert werden. Der EQ HI-Regler (für hohes Frequenzband) und EQ LO-Regler (für tiefes Frequenzband) haben folgende Wirkungseigenschaften:

Regler	Bereich	Freq.	Typ
HI	±12 dB	10 kHz	Kuhschwanzfilter
LO	±12 dB	100 Hz	Kuhschwanzfilter

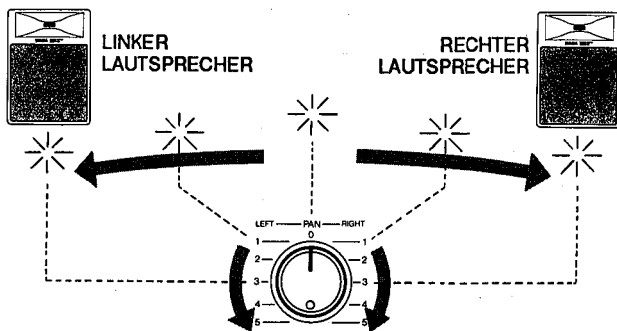


#### ⑤ AUX-Bus-Sendepegelregler (AUX 1 und 2)

Die AUX-Regler in den Eingangskanalzügen dienen in erster Linie zur Einblendung von Effekt-signalen wie Reverb oder Delay in eine Spur oder in einen Kanal. Die Regler AUX1 und AUX 2 bestimmen den Pegel, mit dem das im entsprechenden Kanal abgegriffene Signal zu den AUX - Bussen 1 bzw. 2 geschickt wird. Die Ausgangssignale der AUX-Gruppenbusse liegen an den Buchsen AUX SND 1 und 2 an. Die AUX SND-Buchsen erlauben den Anschluß von externen Signalprozessoren wie dem professionellen YAMAHA Multi-Effektprozessor SPX900 (siehe VERWENDUNG DER AUX SEND/RTN-SCHLEIFEN auf Seite 83).

## 6 Panoramaregler (PAN)

Mit den PAN-Reglern werden Signale des entsprechenden Kanalzugs des Mischmoduls im Stereobild positioniert. Falls ein PAN-Regler ganz auf LEFT gestellt ist, liegt das Signal des betreffenden Mischmodul-Kanalzugs nur am Ausgang für den linken Stereokanal (ST OUT L) des MT3X an. Wenn der PAN-Regler ganz in die RIGHT-Position gedreht ist, wird das Signal nur über den rechten Stereo-Ausgang (ST OUT R) des MT3X weitergegeben. In der Mittelstellung des PAN-Reglers liegt das Signal dieses Kanalzugs am linken und rechten Stereoausgang mit gleichem Pegel an und der Klang scheint aus der Mitte des Stereobilds zu kommen (d. h. zwischen den beiden Stereoboxen). Andere PAN-Reglerstellungen plazieren des Signal aufgrund von unterschiedlichen Stereokanalpegeln an die entsprechenden Positionen im Stereobild. Mit den PAN-Reglern können Sie außerdem die Signale mehrerer Kanalzüge bei der Aufnahme auf eine Rekorderspur zusammenlegen oder einen Mischmodul-Kanal einer Rekorderspur mit anderer Nummer zuordnen (siehe KANAL/SPUR-ZUWEISUNG auf Seite 75).



## 7 Kanalfader

Bei den Kanalfadern handelt es sich um Schieberegler zum Einstellen des Signalpegels (Lautstärke) im entsprechenden Kanalzug des Mischmoduls des MT3X. Dabei spielt es keine Rolle, ob das Signal von einer angeschlossenen Signalquelle oder vom Rekorderteil des MT3X kommt. Die Fader dienen bei der Aufnahme zur Pegelaussteuerung und während der Wiedergabe zum Pegelabgleich (Balance), d. h. Abmischen der Rekorderspuren.

## 8 Aufnahmespur-Wahlschalter (REC SELECT)

Mit den REC SELECT-Wahlschaltern können die einzelnen Kanalzüge des Mischmoduls entweder den entsprechenden Rekorderspuren direkt zugewiesen (zugeführt) oder in Verbindung mit den PAN-Reglern auch Spuren mit anderer Nummer zugeordnet werden (siehe KANAL/SPUR-ZUWEISUNG auf Seite 75).

### HINWEIS:

Wenn einer der REC SELECT-Schalter in einer anderen Stellung als OFF steht, blinkt die rote ● REC-Anzeige unter der Balkenanzeige (siehe DISPLAY auf Seite 71) für den entsprechenden Kanal und weist darauf hin, daß die entsprechende Spur des MT3X auf Aufnahmebereitschaft geschaltet ist.

## 9 Synchronisationsschalter (SYNC)

Falls der SYNC-Schalter auf ON gestellt wird (die SYNC-Anzeige leuchtet) werden Ein- und Ausgang der Spur 4 an die SYNC-Buchsen IN und OUT auf der Rückseite gelegt. Die Buchsen SYNC IN und OUT können mit dem Ein- und Ausgang eines externen MIDI-Codewandlers wie YAMAHA YMC-10 verbunden werden, um MIDI-Sequencer, -Rhythmusgeräte, -Computer oder andere MIDI-Geräte mit der Wiedergabe des MT3X zu synchronisieren.



## STEREO-ABMISCHMODUL

### ⑩ Schleifenbus-Pegelregler (AUX SEND 1 und 2)

Die AUX SEND-Regler 1 und 2 bestimmen den Gesamtausgangspegel der Signalmischung auf den Gruppenbussen AUX 1 und 2, die mit den AUX-Reglern der Eingangskanäle erstellt wurde. AUX SEND 1 regelt den Gesamtausgangspegel des AUX 1-Bussignals, das an Buchse AUX SND 1 anliegt, während AUX SND 2 den Ausgangspegel von AUX-Bus 2 festlegt, dessen Signale zur Buchse AUX SND 2 geschickt werden. Mit diesen Reglern können die Ausgangspegel der AUX SND-Buchsen an die Eingangsempfindlichkeit von angeschlossenen Signalprozessoren angepaßt werden.

### ⑪ Schleifen-Rückgabepegelregler (AUX RTN 1 und 2)

Die AUX RTN-Regler 1 und 2 bestimmen den Pegel, mit welchem das Effektsignal von einem externen Klangprozessor, der von einer der AUX SND-Buchsen gespeist wird, zurückkehrt und mit dem Stereo-Hauptsignal des MT3X abgemischt wird. Der Ausgang des Klangprozessors, dem die Signale von der AUX SND-Buchse des MT3X zugeführt werden, muß mit den Buchsen AUX RTN 1 (L/R) oder AUX RTN 2 (L/R) des MT3X verbunden werden (Siehe VERWENDUNG DER AUX SEND/RTN-SCHLEIFE auf Seite 83).

### ⑫ Spurabhörregler (MONITOR)

Die vier MONITOR-Regler bestimmen den Mithörpegel für die Signale auf den entsprechenden Rekorderspuren, die in der PHONES SELECT-Schalterstellung "MONITOR" oder "MIX" an der PHONES-Buchse anliegen. Die MONITOR-Regler werden in erster Linie während der Synchronaufnahme (Overdubbing) auf eine neue Spur zum Einstellen der Mithörpegel von bespielten Spuren verwendet.

### ⑬ Kopfhörer-Wahlschalter (PHONES SELECT)

Das MT3X erlaubt problemloses Mithören über Kopfhörer, die an der PHONES-Buchse ange-

schlossen sind. Der PHONES SELECT-Schalter bestimmt, welche Signale zur Überwachung an die PHONES-Buchse gelegt werden.

**MONITOR:** In dieser Position werden nur die Signale der vier Rekorderspuren über die vier MONITOR-Regler an die PHONES-Buchse weitergegeben.

**MIX:** In dieser Schalterstellung werden die Signale der vier Rekorderspuren (über die MONITOR-Regler) und die Stereo-Ausgangssignale der Mischeinheit an die PHONES-Buchse gelegt.

**STEREO:** Damit werden nur die Stereo-Ausgangssignale des Mischmoduls an die PHONES-Buchse abgegeben.

### ⑭ Kopfhörerregler (PHONES)

Der PHONES-Regler bestimmt den Signalpegel an der PHONES-Buchse und den MONITOR OUT-Buchsen auf der Rückseite, wodurch der Mithörpegel problemlos eingestellt werden kann.

### ⑮ Kopfhörerbuchse (PHONES)

An diese Buchse kann ein beliebiger Stereo-Kopfhörer mit einer Impedanz zwischen 8 und 40 Ohm angeschlossen zu werden. Ein guter Kopfhörer empfiehlt sich als Werkzeug zum Abhören der verschiedenen Signale des MT3X. Hierzu bietet sich ein YAMAHA Kopfhörer der RH-Serie als ideale Ergänzung an.

### ⑯ Stereo-Hauptfader (MASTER)

Der MASTER-Fader legt den Gesamtausgangspegel der Mischeinheit und damit den Ausgangspegel des Stereosignals an den ST OUT-Buchsen fest. Der MASTER-Fader beeinflußt auch die Aufnahmepegel, wenn Kanalzüge der Mischeinheit mit den PAN-Reglern anders nummerierten Rekorderspuren zugewiesen werden (siehe AUSSTEUERN DER AUFNAHMEPEGEL auf Seite 77).

## MEHRSPUR-REKORDERTEIL

### 17 dbx-Schalter (dbx ON/OFF)

Der dbx-Schalter dient zum Ein/Ausschalten der im MT3X integrierten dbx-Rauschunterdrückung. Bei normaler Aufnahme und Wiedergabe mit dem MT3X sollte der dbx-Schalter auf ON gestellt werden. Dadurch resultiert ein wesentlich besserer Rauschabstand (bis zu 85 dB), weshalb die Aufnahmen sauberer klingen und weniger Bandrauschen enthalten. Damit die dbx-Rauschunterdrückung wirken kann, muß sie zur Aufnahme wie zur Wiedergabe zugeschaltet werden. Zur Wiedergabe von Aufzeichnungen, die mit anderen Geräten **ohne** dbx-Rauschunterdrückung erstellt wurden, muß der dbx-Schalter auf OFF gestellt werden.

### 18 Bandgeschwindigkeitsschalter (TAPE SPEED)

Mit dem TAPE SPEED-Schalter kann zwischen normaler (4,75 cm/Sek.) und hoher Bandgeschwindigkeit (9,5 cm/Sek.) umgeschaltet werden. Die normale Bandgeschwindigkeit (4,75) zur Wiedergabe von Bändern verwenden, die mit dieser Geschwindigkeit bespielt wurden, oder aber um Band zu sparen. Zum Erzielen der höchsten Klangqualität empfiehlt sich die hohe Bandgeschwindigkeit (9,5). Die qualitative Klangverbesserung aufgrund der hohen Bandgeschwindigkeit ist beträchtlich und wir empfehlen deshalb die hohe Bandgeschwindigkeit für alle Aufnahmen.

### 19 Tonlagenregler (PITCH)

Mit dem PITCH-Regler kann die Bandgeschwindigkeit um bis zu  $\pm 10\%$  verändert werden, wodurch das mit dem MT3X aufgezeichnete Material auf Instrumente eingestimmt werden kann. Außerdem kann damit eine Aufnahme geringfügig verlängert oder verkürzt werden, um Zeitvorgaben zu erfüllen. In der mittleren Einraststellung des PITCH-Reglers arbeitet das MT3X mit normaler Bandgeschwindigkeit, während ein Verschieben des Reglers auf die "+"-Seite die Geschwindigkeit erhöht und ein Verschieben auf die "-"-Seite sie vermindert.

### 20 Nullpunkt-Stopptaste (ZERO STOP)

Der ZERO STOP-Taste ermöglicht ein schnelles Auffinden bestimmter Bandstellen. Dies ist besonders praktisch bei Mehrspuraufnahmen, da ja das Band mehrmals an die gleiche Stelle zurückgespult werden muß, um Overdubs (d. h. neue Spuren aufzeichnen, während die bisher aufgenommenen Spuren gleichzeitig wiedergegeben werden) anlegen zu können. Zum Verwenden der ZERO STOP-Funktion ganz einfach an der betreffenden Bandstelle die RESET-Taste drücken, um das Bandzählwerk (unter) auf "0000" rückzustellen. Dann die ZERO STOP-Taste auf ON stellen (Die Anzeige ZERO STOP ON im Display leuchtet auf), wodurch das Band beim Schnellvor/rücklauf automatisch stoppt, wenn die Zählwerkposition "0000" erreicht wird.

### 21 Auto-Einfügaufnahmetaste (AUTO PUNCH I/O)

Diese Taste aktiviert die automatische Einfügaufnahmefunktion (Punch-in/out) des MT3X, um einen bestimmten Spurabschnitt erneut aufnehmen zu können. Wenn die Taste AUTO PUNCH I/O gedrückt wird, **nachdem** Start- und Stoppunkt der Einfügaufnahme mit der Taste AUTO PUNCH MEMO (nachfolgend beschrieben) festgelegt wurden, geht das MT3X in Einfügaufnahmebereitschaft. Dies wird durch Aufleuchten von "I/O" im AUTO PUNCH I/O-Anzeigefeld des Displays bestätigt. Wenn nun der Bandtransport auf normale Aufnahmebetriebsart geschaltet wird, schaltet das MT3X nur in dem festgelegten Abschnitt der gewählten Spur(en) auf Aufnahme. Die Einzelheiten hierzu sind unter "Automatischer Einfügaufnahmestart/stopp" auf Seite 85 aufgeführt.

### 22 Einfügstart/stopp-Speichertaste (AUTO PUNCH MEMO)

Diese Taste dient zum Festlegen der Start- und Stoppstelle (Punch-in und Punch-out) für die automatische Einfügaufnahmefunktion des MT3X. Während der Wiedergabe des Bandes die Taste AUTO PUNCH MEMO einmal drücken (die MEMO-Anzeige über AUTO PUNCH I/O im Display beginnt zu blinken), um den Startpunkt für die Einfügaufnahme einzugeben. Am Endpunkt der vorgesehenen Einfügaufnahme die Taste AUTO

PUNCH MEMO ein zweites Mal drücken (die MEMO-Anzeige über AUTO PUNCH I/O leuchtet nun stetig). Die Einzelheiten hierzu sind unter "Automatischer Einfügaufnahmestart/stopp" auf Seite 85 aufgeführt.

### 23 Rückstelltaste (COUNTER RESET)

Die COUNTER RESET-Taste dient zum Rückstellen des Bandzählwerks. Durch Antippen der COUNTER RESET-Taste wird das Zählwerk an der gegenwärtigen Bandstellung auf "0000" rückgestellt.

### 24 Bandtransporttasten

Diese elektronischen Tipptasten ermöglichen eine präzise Steuerung aller Bandtransportfunktionen.

**PLAY:** Löst die Wiedergabe aus, während der die grüne PLAY-Anzeige leuchtet.

**RECORD:** Durch Drücken der REC-Taste schaltet das MT3X auf Aufnahmepause. Falls alle REC SELECT-Schalter auf OFF gestellt sind, blinkt die rote REC-Anzeige und die grüne PAUSE-Anzeige leuchtet auf. Falls sich ein REC SELECT-Schalter in einer anderen Position als OFF befindet, leuchten die REC-Anzeige und die grüne PAUSE-Anzeige beide stetig. In diesem Schaltzustand arbeitet der Bandtransport noch nicht und die Aufnahme hat noch nicht begonnen. Um von der Aufnahmepause auf Aufnahme zu schalten, die PLAY-Taste drücken, wonach der Bandtransport startet und die Aufnahme beginnt (falls einer der REC SELECT-Schalter sich in einer anderen Stellung als OFF befindet). Während der Aufnahme leuchten die rote REC-Anzeige und die grüne PLAY-Anzeige gleichzeitig. Falls alle REC SELECT-Schalter auf OFF gestellt sind, ist das MT3X in Aufnahmebereitschaft, die rote REC-Anzeige blinkt weiterhin und das Band wird zwar vorgespult, aber die Aufnahme wird nicht gestartet, solange die REC SELECT-Schalter auf OFF stehen.

#### HINWEIS:

Es wird nur auf die Spuren aufgenommen, deren REC SELECT-Schalter nicht auf OFF gestellt sind.

#### HINWEIS:

Falls Kassetten, deren Löschschutzungen herausgebrochen sind, eingelegt wurden, kann der Bandtransport nicht auf Aufnahme geschaltet werden.

**PAUSE:** Zur vorübergehenden Unterbrechung von Aufnahme und Wiedergabe. Während der Pause leuchtet die grüne PAUSE-Anzeige. Zum Beenden der Pause und Fortsetzen der Wiedergabe bzw. Aufnahme einfach die PLAY-Taste antippen.

#### Schnellrück- (REW) und Schnellvorlauf (FF):

Diese Tasten dienen zum schnellen Zurück- bzw. Vorspulen des Bandes.

**STOP:** Stoppt den Bandlauf in allen Betriebsarten.

### 25 Kassettenfach

Hier wird die Kassette eingelegt. Nur hochwertige Chrombänder (CrO<sub>2</sub>) verwenden. Andere Bandsorten weisen nicht die richtigen Frequenzeigenschaften auf und führen beim MT3X zu erhöhtem Bandrauschen. Den Kassettenfachdeckel (auf der rechten Seite befindet sich eine Noppe) öffnen und die Kassette so einlegen, daß deren Öffnung auf die Bandtransporttasten zeigt. Die Kassette hinten unter den Haltefinger an der Rückseite des Kassettenfachs einsetzen und dann die Vorderseite (Bandöffnung) vorsichtig in den Transportmechanismus einrasten. Danach den Kassettenfachdeckel sanft schließen.

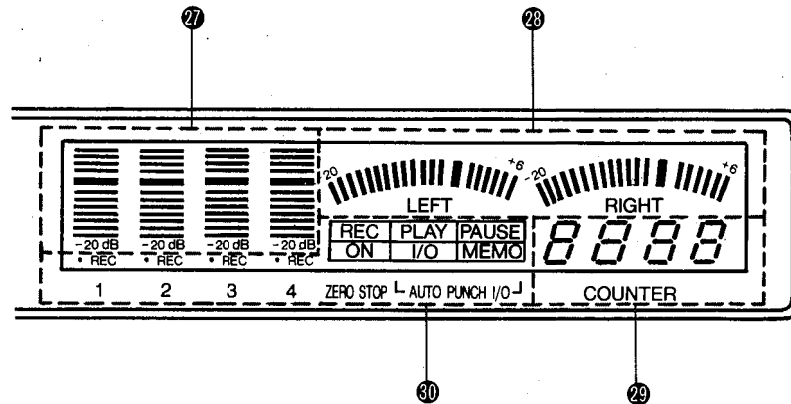
### 26 Fußschalterbuchse für Einfügaufnahmen (PUNCH I/O)

An diese Buchse kann ein YAMAHA FS-1 Fußschalter angeschlossen werden, mit dem Einfügaufnahmen (Punch-in/out) ausgelöst und beendet werden können (siehe PUNCH-IN/OUT-AUFNAHME auf Seite 84).

#### HINWEIS:

Da das MT3X die gesamte Bandbreite zur Aufnahme von vier Spuren verwendet, kann nur eine Kassettenseite verwendet werden. Falls die Kassette umgedreht und bespielt wird, wird zuvor aufgenommenes Material gelöscht und überspielt.

## DISPLAY



### 27 Spurpegelanzeigen

Diese vier vertikalen Balkenanzeigen stellen Spitzenpegelmessern dar und geben die Ausgangspegel der entsprechenden Bandspuren des MT3X an. Die Spurpegelanzeigen werden zum optimalen Aussteuern der Aufnahmepegel benötigt (siehe AUSSTEUERN DER AUFNAHMEPEGEL auf Seite 77).

### 28 Linke und rechte Stereo-Ausgangspegelanzeigen (LEFT und RIGHT)

Die linke und die rechte horizontale Pegelanzeige geben die Pegel im Stereo-Masterbus des MT3X an, um einen visuellen Anhalt über den Gesamtpegel des Programmsignals zu gewähren.

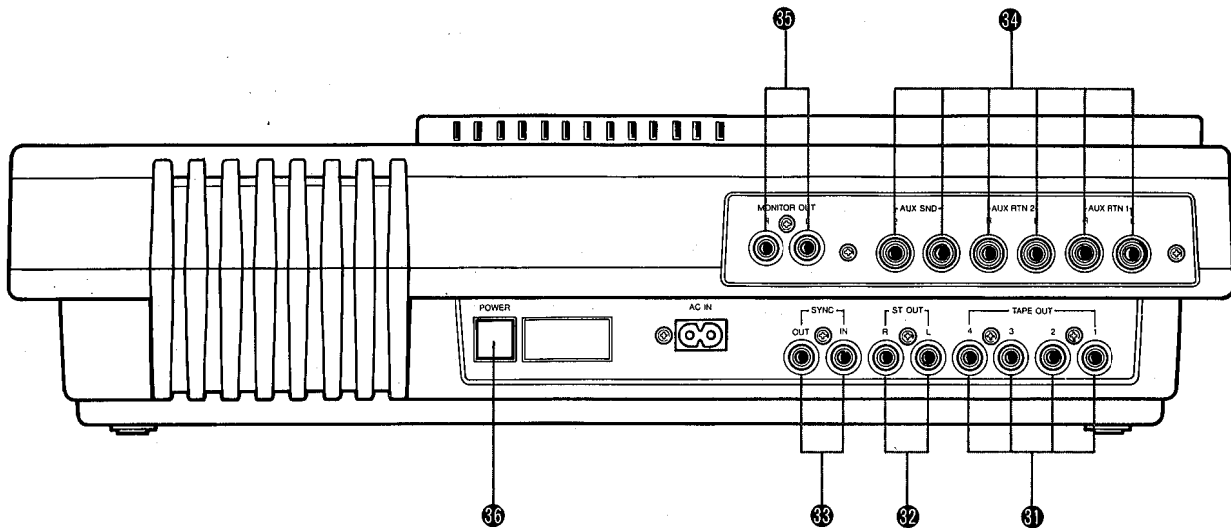
### 29 Elektronisches Bandzählwerk

Das vierstellige elektronische Bandzählwerk des MT3X gibt Aufschluß über die Bandposition. Es empfiehlt sich, die wichtigsten Bandstellen einer Aufnahme zu notieren, um sie später einfacher finden zu können.

### 30 Modusanzeigen

Die ● REC-Anzeigen unter den Spurpegelmessern, weisen darauf hin, welche Spuren in Aufnahmebereitschaft sind. Die Anzeigen REC, PLAY und PAUSE rechts geben an, in welcher Betriebsart sich der Bandtransport befindet und die ON-Anzeige über ZERO STOP im Display leuchtet auf, wenn die Nullpunkt-Rückkehrfunktion aktiviert ist. Die Anzeigen I/O und MEMO über dem Anzeigefeld AUTO PUNCH I/O verweisen auf den gegenwärtigen Status der automatischen Einfügaufnahmefunktion.

## RÜCKSEITE



### 31 Bandausgangsbuchsen (TAPE OUT)

Die TAPE OUT-Buchsen stellen die Direktausgänge für die entsprechend nummerierten Rekorderspuren dar. Damit können die Signale auf den diversen Rekorderspuren einem externen Mischpult separat zugeführt werden. Außerdem können die Signale auf den einzelnen Spuren über die TAPE OUT-Buchsen externen Klangprozessoren getrennt zugeleitet werden und dann über die Eingänge des MT3X-Mischmoduls wieder zurückgeführt werden.

Bei den TAPE OUT-Ausgängen handelt es sich um Cinchbuchsen mit einem Nennausgangspegel von  $-10$  dB bei einer Last von mehr als  $50$  kOhm.

### 32 Linker und rechter Stereo-Ausgang (ST OUT L und R)

Dies sind die Hauptausgänge des MT3X. Diese Buchsen geben das abgemischte Stereo-Hauptsignal von der Mischeinheit des MT3X weiter. Die ST OUT-Buchsen können zur Wiedergabe an eine Stereoanlage angeschlossen werden, oder aber mit einem zweiten Kassettenspieler verbunden werden, wenn eine Stereo-Mischung vom Band im MT3X angelegt werden soll. Bei den ST OUT-Ausgängen handelt es sich um Cinchbuchsen mit einem Nennausgangspegel von  $-10$  dB, wenn eine Last von mehr als  $50$  kOhm anliegt.

### 33 Synchronisationseingänge (SYNC IN und OUT)

Diese Buchsen können mit den entsprechenden Ein- und Ausgängen eines externen MIDI-Codewandlers wie dem YAMAHA YMC-10 verbunden werden, um auf Spur 4 des MT3X Rekorders ein FSK-Synchronsignal aufzuzeichnen (der SYNC-Schalter des MT3X muß dazu auf ON gestellt werden). Das aufgezeichnete Synchronisierungssignal kann dann zum Synchronisieren der Wiedergabe des MT3X mit MIDI-Sequenzern, Rhythmusgeräten, Computern usw. verwendet werden.

### 34 AUX-Schleifeneingänge- & Rückkehrbuchsen (AUX SND & RTN)

Die AUX SND- (1 und 2) und RTN-Buchsen (1 und 2) ermöglichen ein problemloses Zwischenschalten eines externen Klangprozessors (wie z. B. YAMAHA Multi-Effektprozessor SPX900), um den Signalen des MT3X Effekte hinzuzufügen. Dazu ist die AUX SND-Buchse 1 oder 2 mit dem Eingang des Klangprozessors zu verbinden, während die linke und rechte AUX RTN-Buchse an den linken und rechten Ausgang des Klangprozessors angeschlossen wird. Bei den AUX RTN-Eingängen 1 und 2 handelt es sich jeweils um Stereobuchsen, um Kompatibilität mit herkömmlichen Prozessoren zu gewährleisten, die mit Mono-Ein- und Stereo-

Ausgängen ausgerüstet sind. Dank der zwei AUX SEND/RTN-Schleifen können zwei Signalprozessoren in den Signalweg eingeschleift werden (siehe "VERWENDUNG DER AUX SEND/RTN-SCHLEIFE auf Seite 83).

**35 Linke und rechte Mithörbuchse (MONITOR OUT L und R)**

Diese Buchsen geben das gleiche Signal wie die PHONES-Buchse ab, jedoch mit LINE-Pegel. Das Signal kann daher mit dem PHONE SELECT-Schalter angewählt werden. Der Ausgangspegel wird über den PHONES-Regler eingestellt. Die

MONITOR OUT-Buchsen können mit einem Lautsprecher/Boxensystem verbunden werden, um z. B. eine Klangkontrolle auf der Bühne zu ermöglichen usw.

**36 Netzschalter (POWER)**

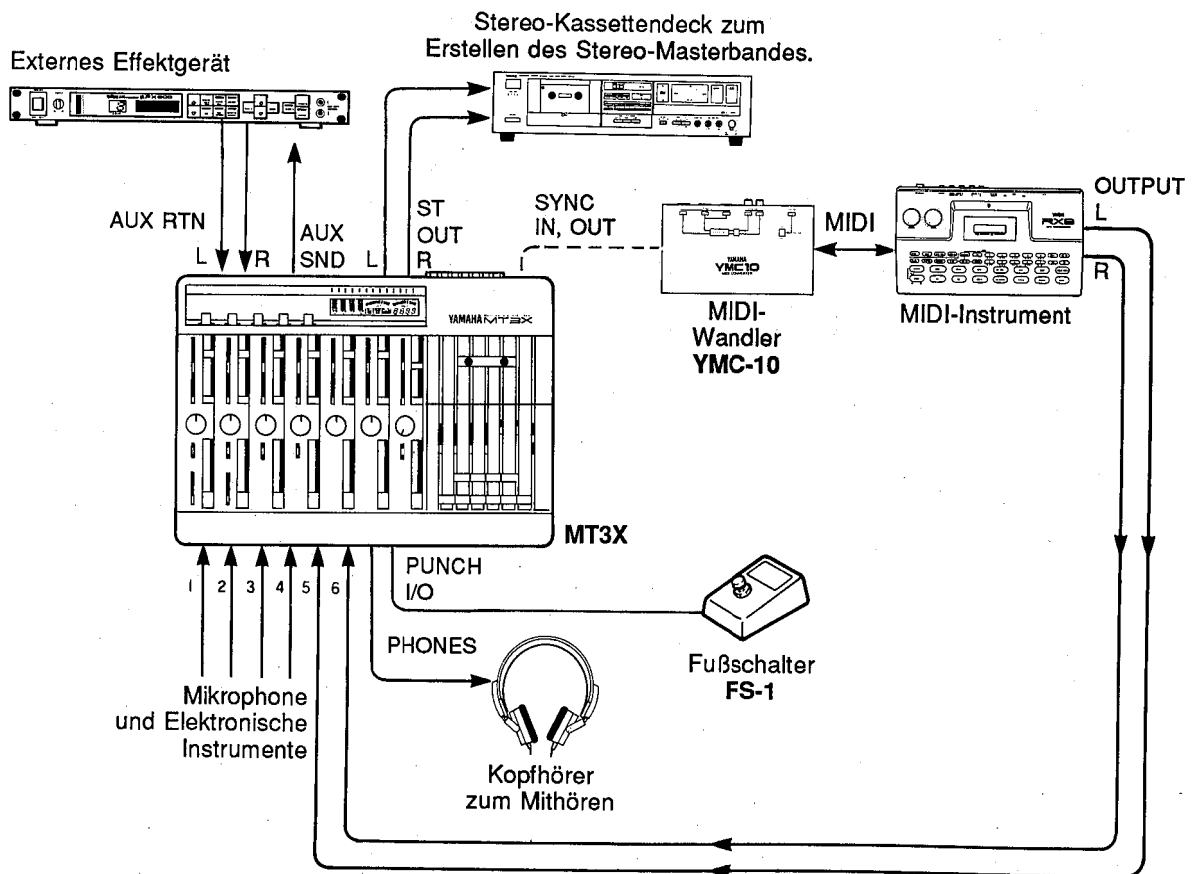
Der POWER-Schalter dient zum Ein- und Ausschalten des MT3X..

**HINWEIS:**

Das Blockdiagramm auf Seite 89 gibt einen Überblick über die Signalwege im MT3X.

# ANSCHLUSSBEISPIELE

## — GRUNDLEGENDE ANSCHLÜSSE —



# AUFNAHME

---

*Die Aufnahme mit dem MT3X ist ein ganz einfacher Vorgang. Sie benötigen dazu nur Kopfhörer und ein Instrument, Mikrofon oder eine andere Signalquelle.*

Mehrspeuraufnahmen lassen sich in folgende grundlegende Schritte unterteilen:

**1. Aufnahme auf die erste Spur**

- a) Kanal/Spur-Zuweisung.
- b) Den Aufnahmepegel aussteuern.
- c) Aufnahme.

**2. Synchronaufnahme auf die restlichen Spuren**

- a) Kanal/Spur-Zuweisung für jede Spuraufnahme.
- b) Den Aufnahmepegel für jede Aufnahme aussteuern.
- c) Die Spuraufnahme durchführen.

**3. Pingpong-Aufnahme und weitere Spuraufnahmen (falls erforderlich)**

**4. Mischen**

- a) Mithörfunktion zum Abmischen einstellen.
- b) Eine grobe Mischung erstellen und Effekte hinzufügen.
- c) Die endgültige Mischung erstellen und überprüfen.
- d) Die ST OUT-Buchsen des MT3X mit einem Stereo-Kassettenrekorder verbinden.
- e) Die Mischung vom MT3X auf den Stereorekorder überspielen.

Diese Schritte und die verwendete Terminologie werden anschließend ausführlich besprochen, weshalb es sich empfiehlt, die nachfolgenden Abschnitte der Reihe nach durchzulesen, um ein klares Verständnis des Aufnahmeprozesses zu gewinnen.

# AUFNAHME AUF DIE ERSTE SPUR

## SCHRITT 1: KANAL/SPURZUWEISUNG

Bei allen Aufnahmen muß zuerst der Kanalzug, an dem das Instrument oder die Programmquelle angeschlossen ist, einer der Rekorderspuren zugewiesen werden.

Das MT3X bietet zwei verschiedene Verfahren zur Kanal/Spurzuweisung, die individuell oder in Kombination angewendet werden können, um die erwünschten Spurzuweisungen durchführen zu können. Damit können Sie je nach Aufnahmematerial ein einzelnes Instrument oder eine Programmquelle einer einzelnen Spur zuordnen, oder aber eine Reihe von Instrumenten oder Programmquellen zusammenlegen und auf einer Spur aufzeichnen.

### ● Direkte Kanal/Spurzuweisung

Mit diesem Verfahren wird ein Instrument oder eine Programmquelle, die an einem Kanalzug angeschlossen ist, der Rekorderspur mit der gleichen Nummer wie der Kanal zugewiesen. Damit kann man eine Spur alleine oder alle vier Spuren simultan bespielen.

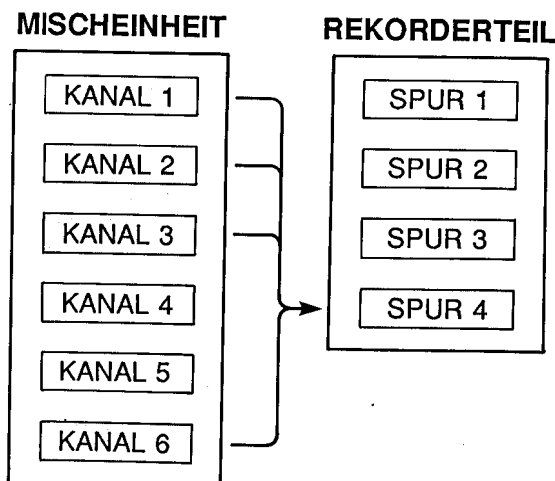
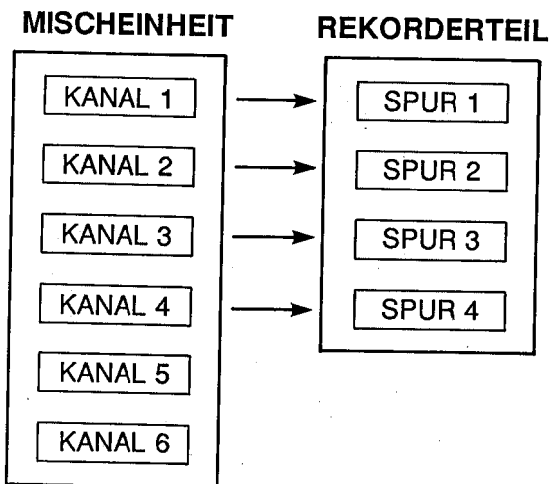
Zur direkten Kanal/Spurzuweisung muß der entsprechende REC SELECT-Schalter des aufzunehmenden Kanals auf die Nummernposition (1, 2, 3 oder 4) gestellt werden. Wenn z. B. REC SELECT-Schalter 1 in Stellung "1" steht, werden die Signale von Kanal 1 direkt zur Spur 1 des Rekorders geführt. Die anderen Kanäle und Spuren werden auf gleiche Weise zugewiesen.

### ● Kanal/Spurzuweisung mit PAN-Regler

Mit Hilfe der PAN-Regler können mehrere Mischmodulkonäle auf einer einzigen Rekorderspur zusammengelegt werden. Ebenso kann ein einziger Kanal der Mischeinheit mehreren Rekorderspuren zugewiesen werden.

Jeder REC SELECT-Schalter weist entweder eine "L"- oder "R"-Position auf. Diese entsprechen dem linken (L) bzw. rechten (R) Ausgangskanal des Mischmoduls. Wenn ein REC SELECT-Schalter einer Spur z. B. auf "L" gestellt ist, können Sie beliebige Mischmodulkonäle dieser Spur zuweisen, indem Sie die entsprechenden PAN-Regler ganz in die LEFT-Stellung drehen. Wenn Sie daher den REC SELECT-Schalter 4 auf "R" und den PAN-Regler von Kanal 1 ganz auf RIGHT stellen, ist Kanal 1 der Rekorderspur 4 zugeordnet.

Um die im Diagramm gezeigte Zuweisung auszuführen, wird REC SELECT-Schalter 4 auf "R" gebracht und die PAN-Regler von Kanal 1, 2, 3 und 6 werden voll auf RIGHT gestellt. Gleichzeitig werden die PAN-Regler von Kanal 4 und 5 in die ganz linke (LEFT) Position gedreht, damit die Signale von Kanal 4 und 5 nicht auf Spur 4 des Rekorders gelegt werden.





## SCHRITT 2: AUFNAHMEÜBERWACHUNG

Nachdem die Programmquelle am Eingang eines Kanalzugs angeschlossen und dieser Kanal einer Spur zugewiesen wurde, sollten Sie das Mithörsystem so einstellen, daß die Spur, auf die aufgezeichnet wird, während der Aufnahme mitgehört werden kann.

### ● Mithören über Kopfhörer (PHONES) oder MONITOR-Buchsen

Das Mithören über einen an der PHONES-Buchse angeschlossenen Kopfhörer oder ein Verstärker/Bosensystem, daß an den MONITOR OUT-Buchsen angeschlossen ist, bietet die größte Flexibilität, weshalb es sich für die meisten Aufnahmebedingungen empfiehlt. Mit Hilfe des PHONES SELECT-Schalters kann das abzuhörende Signal auf folgende Weise angesteuert werden:

**MONITOR:** In dieser Schalterstellung werden die Ausgangssignale der vier Rekorderspuren über die vier MONITOR-Regler direkt an die Kopfhörerbuchse oder die MONITOR OUT-Buchsen gelegt. Die MONITOR-Regler dienen zum Einstellen der Mischung der abzuhörenden Signale. Diese Anordnung ist ideal für die allgemeine Aufnahmeüberwachung, da die Mithörmischung unabhängig von den Kanalfadern eingestellt werden kann. Bereits aufgezeichnetes Material wird über die entsprechenden MONITOR-Regler den PHONES-bzw. MONITOR OUT-Buchsen zugeführt, wenn die betreffenden REC SELECT-Schalter auf OFF gestellt sind.

**MIX:** In dieser Schalterstellung werden die Ausgangssignale der vier Rekorderspuren (über die entsprechenden MONITOR-Regler) und die Stereo-Ausgangssignale der Mischeinheit an die PHONES bzw. MONITOR OUT-Buchsen gelegt.

**STEREO:** In dieser Schalterstellung liegt nur das Stereo-Ausgangssignal der Mischeinheit an der Kopfhörer- bzw. den MONITOR OUT-Buchsen an. Diese Stellung wird zum Abmischen einer fertigen Mehrspuraufnahme eingesetzt, da ja beim Mischen die Stellungen der Kanalfader und der AUX SEND- und RTN-Regler (bei Zuschalten von Effektsignalen) überwacht werden müssen.

### ● Mithören über die ST OUT-Buchsen mit Verstärker/Lautsprechersystem

Es können auch Stereoanlagen mit Lautsprechern oder Lautsprecher mit integriertem Verstärker (wie die YAMAHA MS101 Monitor-Aktivlautsprecher) zur Wiedergabe verwendet werden, die mit den ST OUT-Ausgängen des MT3X verbunden. Wenn das MT3X auf diese Weise wiedergegeben wird, können nur die Signale an den Stereo-Ausgängen der Mischeinheit des MT3X gehört werden. Dies entspricht bei der Wiedergabe über Kopfhörer der PHONES SELECT-Schalterstellung STEREO. Daher ist die Verwendung einer Stereoanlage zur Aufnahmeüberwachung nicht ratsam. Bei der endgültigen Abmischung empfiehlt sich jedoch solch ein System, da damit die Mischung unter den Bedingungen kontrolliert werden kann, unter denen ja später das fertige Masterband wiedergegeben wird, nämlich über eine Stereoanlage.

#### HINWEIS:

Zur Überwachung von Mikrofonaufnahmen keinesfalls Lautsprecher verwenden, da deren wiedergegebenen Klänge mitaufgezeichnet werden und somit die Aufnahme verderben.

## SCHRITT 3: AUSSTEUERN DER AUFNAHMEPEGEL

*Das korrekte Aussteuern der Aufnahmepegel ist Voraussetzung für gute Aufnahmequalität.*

1. Den Fader des aufzunehmenden Kanals in die "0"-Stellung schieben und den MIC/LINE-Trimmregler (falls über Kanal 1 oder 2 aufgezeichnet wird) ganz auf LINE stellen.
2. Nachdem diese Einstellungen durchgeführt sind, das Programm mit dem lautesten Pegel spielen, der für diese Aufnahme vorgesehen ist.
3. Den MASTER-Fader auf "7" oder "8" setzen und den Kanalfader verschieben, bis die linke (LEFT) und rechte (RIGHT) Pegelanzeige zu reagieren beginnen. Falls es sich bei der Quelle um ein elektrisches Instrument (Baß oder Gitarre) oder um ein Mikrophon handelt und über Kanal 1 oder 2 aufgezeichnet wird, muß der MIC/LINE-Trimmregler

unter Umständen in Richtung MIC verstellt werden, um eine genügend hohe Spitzenwertanzeige zu erzielen. Den Kanalfader (und falls notwendig, den MIC/LINE-Trimmregler) so einstellen, daß die angezeigten Spitzenpegel zwischen "0" und "+3" liegen. Idealerweise sollte eine Kanalfaderstellung zwischen "7" und "8" diese Spitzenpegel bewirken. Damit wird der bestmögliche Rauschabstand und andererseits genug Spielraum für spätere Pegelkorrekturen gewährleistet. Falls die Faderstellung stark von den empfohlenen Werten abweicht, kann dies evtl. über den Lautstärkeregler des Instruments oder der Programmquelle korrigiert werden, um optimale Aufnahmepegel mit einer Faderstellung zwischen "7" und "8" zu erzielen.

## SCHRITT 4: AUFNAHME

*Nachdem Sie den Eingangskanal einer Rekorderspur zugewiesen, die Mithörfunktion eingestellt und die Aufnahmepegel optimal ausgesteuert haben, kann mit der Aufnahme begonnen werden.*

1. Sicherstellen, daß sich eine Kassette im Kassettenschalenfach befindet und daß sie bis zum Startpunkt der Aufnahme zurückgespult ist. Es empfiehlt sich zu diesem Zeitpunkt die RESET-Taste zu drücken, um den Bandzähler auf "0000" rückzustellen. Damit kann der Anfangspunkt der Aufnahme danach mit der ZERO STOP-Funktion sofort gefunden werden.
2. Die REC-Taste und dann die PLAY-Taste drücken, um die Aufnahme auszulösen, ein paar Sekunden warten und dann mit dem Spielen beginnen.
3. Am Ende der Aufzeichnung auf diese Spur die STOP-Taste drücken, den REC SELECT-Schalter der gerade bespielten Spur auf OFF stellen und die REW-Taste drücken (das Band stoppt automatisch an der Bandzählerstellung "0000", falls die ZERO STOP-Funktion aktiviert ist).
4. Die Aufnahme durch Drücken der PLAY-Taste wiedergeben und die Spur abhören, um die Aufnahme zu überprüfen.

### HINWEIS:

Beim Aufnehmen der ersten Spur ist es äußerst wichtig zuerst einen oder zwei Takte zum Einzählen aufzunehmen, bevor das Instrument gespielt wird. Falls Sie nämlich keinen Einzähltakt aufgezeichnet haben, werden Sie große Schwierigkeiten haben, den Beginn der zweiten Spur mit der ersten zu koordinieren.

# SYNCHRONAUFNAHME (OVERDUBBING)

---

*Das englische Wort Overdubbing beschreibt die Synchronaufnahme einer oder mehrerer neuen Spuren, während die vorher bespielten Spuren gleichzeitig wiedergegeben werden. Falls Sie nur insgesamt vier Spuren aufzeichnen wollen, können Sie gleich mit der Aufnahme der 2., 3. und 4. Spur fortfahren. Falls Sie jedoch mit Hilfe der Pingpong-Methode mehr als vier Stimmen aufzeichnen wollen, sollten Sie zunächst nur drei Spuren aufnehmen und dann die Beschreibung der Pingpong-Aufnahme lesen (siehe PINGPONG-AUFNAHME auf Seite 79).*

1. Das aufzuzeichnende Instrument oder die Programmquelle an den vorgesehenen Kanaleingang anschließen.
2. Sicherstellen, daß die REC SELECT-Schalter von bereits bespielten Spuren auf OFF gestellt sind, damit diese Spuren bei der nächsten Aufnahme nicht überspielt werden.
3. Die Kanal/Spurzuweisung für die neue Spur ausführen.
4. Die Einstellungen zum Mithören überprüfen, um sicherzustellen, daß die zuvor bespielten Spuren zusammen mit dem neuen Aufnahmematerial wiedergegeben werden (den PHONES SELECT-Schalter auf MIX stellen).
5. Den Aufnahmepegel für die neue Spur aussteuern.
6. Jetzt kann die nächste Synchronaufnahme noch einmal geprobt werden, während die zuvor bespielten Spuren wiedergegeben werden.
7. Darauf achten, daß das Band zum Aufnahmeanfangspunkt zurückgespult ist und dann die Aufnahme auslösen.

Diese Schritte werden ganz einfach wiederholt, um weiteres Material in die Spuren 3 und 4 einzuspielen.

# PINGPONG-AUFNAHME (SPURMISCHAUFNAHME)

Bei der Pingpong- oder Spurmischaufnahme handelt es sich um ein Verfahren, mit dem mehr als vier Stimmen mit einem Vierspurrekorder aufgenommen werden können.

Bei der Pingpong-Aufnahme werden z. B. zuerst die Spuren 1, 2 und 3 bespielt, dann mit Hilfe der Kanalfader usw. auf das korrekte Pegelverhältnis abgemischt und anschließend auf Spur 4 zusammengelegt. Dadurch haben Sie eine Mischung der ersten drei Spuren auf Spur 4 und die Spuren 1, 2 und 3 sind frei für weitere Aufnahmen. Damit können Sie bereits "6" Stimmen auf einem Vierspurrekorder unterbringen. Während dem Abmischen der ersten drei Spuren auf Spur 4 kann gleichzeitig über die Mischeinheit des MT3X ein weiteres Instrument in Spur 4 live eingespielt werden. Damit würde Spur 4 vier Stimmen enthalten. Da ja die ersten drei Spuren für die Aufnahme frei sind, stehen also insgesamt 7 Stimmen zur Aufnahme zur Verfügung. Wenn Sie nun nur die ersten 2 Spuren bespielen und auf Spur 3 zusammenlegen und dabei gleichzeitig ein weiteres Instrument auf Spur 3 aufzeichnen, haben Sie vier Stimmen auf Spur 4, 3 Stimmen auf Spur 2 und zwei weitere freie Spuren, d. h. insgesamt 9 Stimmen. Mit diesem Verfahren können tatsächlich bis 10 individuelle Stimmen aufgenommen werden, ohne eine Spur mehr als einmal bespielen zu müssen (siehe Abb.).

## HINWEIS:

Die Pingpong-Aufnahme oder Spurmischaufnahme ist ein wichtiger Schritt. Die zusammengelegten Spuren müssen perfekt abgemischt sein, bevor weitere Spuren aufgenommen werden können. Dies ist ganz logisch, da ja nach dem Zusammenlegen der Spuren und Überspielen der ursprünglichen Spuren die Spurbalance und der Klang der kombinierten Spuren nicht mehr verändert werden kann. Bei einer schlechten Mischung muß daher das ursprüngliche Material noch einmal gespielt und aufgenommen werden.

## HINWEIS:

Für Pingpong-Aufnahmen sollte generell die dbx-Rauschunterdrückung zugeschaltet und eine Bandgeschwindigkeit von 9,5 cm/Sek. verwendet werden. Bei einer Bandgeschwindigkeit von 4,75 cm/Sek. und ausgeschalteter Rauschunterdrückung kann es nämlich zu Rückkopplungen kommen, wenn ein bespielte Spur auf eine benachbarte Spur umgelegt wird.

**BEISPIEL:** Aufnahme von Stimmen "1" bis "10" in Spuren 1 bis 4 mittels Pingpong-Verfahren.

	Stimmen 1, 2 und 3 bespielen	Stimmen 1, 2 und 3 auf Spur 4 zusammenlegen und gleichzeitig Stimme 4 aufnehmen.	Stimmen 5 und 6 aufzeichnen	Stimmen 5 und auf Spur 3 zusammenlegen und gleichzeitig Stimme 7 aufnehmen	Stimme 8 aufzeichnen	Stimme 8 auf Spur 2 legen und gleichzeitig Stimme 9 auf dieser Spur hinzufügen.	Die Stimme 10 aufzeichnen
SPUR 1	1		5		8		10
SPUR 2	2		6			8 + 9	8 + 9
SPUR 3	3			5, 6 + 7	5, 6 + 7	5, 6 + 7	5, 6 + 7
SPUR 4		1, 2, 3 + 4	1, 2, 3 + 4	1, 2, 3 + 4	1, 2, 3 + 4	1, 2, 3 + 4	1, 2, 3 + 4

---

## BEISPIEL FÜR EINE PINGPONG-AUFNAHME

Das folgende Beispiel zeigt, wie die Spuren 1, 2 und 3 auf Spur 4 zusammengelegt werden.

Zunächst die notwendigen Einstellungen:

- **TAPE-OFF-LINE-Wahlschalter**

Sicherstellen, daß die TAPE-OFF-LINE-Wahlschalter der Kanäle 1, 2 und 3 auf TAPE gestellt sind, und den Wahlschalter von Kanal 4 auf OFF stellen.

- **Kanalfader**

Zuerst die Kanalfader 1 bis 3 auf ungefähr "7" einstellen und die restlichen Kanalfader in Stellung "0" bringen.

- **EQ-Regler**

Alle EQ-Regler in ihre Mittelstellung drehen.

- **MASTER-Fader**

Auf ungefähr "7" einstellen.

- **REC SELECT-Schalter**

Die REC SELECT-Schalter 1 - 3 auf OFF und den REC SELECT-Schalter von Kanal 4 auf "R" stellen.

- **AUX SEND-Regler**

Zunächst alle vier AUX SEND-Regler auf MIN stellen.

- **PAN-Regler**

Da der REC SELECT-Schalter 4 auf "R" gestellt ist, müssen die PAN-Regler 1 bis 3 ganz nach rechts gedreht werden, um die Signale der Spuren 1 bis 3 der Rekorderspur 4 zuzuweisen.

- **AUX RTN-Regler**

Zunächst auf MIN stellen.

- **PHONES SELECT-Schalter**

Auf STEREO stellen.

- **MONITOR-Regler**

Wirken sich nicht aus.

1. Das Band wiedergeben, jedoch noch nicht die REC-Taste drücken, und die Faderstellungen der Kanäle 1, 2 und 3 abstimmen, bis das erwünschte Pegelverhältnis zwischen den Spuren erreicht ist. Dabei werden Sie feststellen, daß beim Einstellen der Pegelbalance zwischen den Spuren die rechte Pegelanzeige evtl. sich stark verändert, da ja alle drei Kanäle dem rechten Stereobus zugewiesen sind). Die Mischung so abgleichen, daß die rechte Pegelanzeige einen Spitzenwert von max. "0" anzeigt. Der Gesamtpegel kann dann später mit dem MASTER-Fader leicht ausgeglichen werden.
2. Nachdem alle Einstellungen korrekt vorgenommen wurden, das Band zum Aufnahmestartpunkt zurückspulen und auf Aufnahme schalten. Nach Beenden der Pingpong-Aufnahme den Rekorder stoppen. Nun das Band zurückspulen, dann wiedergeben und dabei die Pingpong-Aufnahme sorgfältig mithören. Dazu die TAPE-OFF-LINE-Schalter der Kanäle 1 bis 3 auf OFF stellen und den von Kanal 4 auf TAPE. Falls die Mischung nicht die Anforderungen erfüllt, die Pingpong-Aufnahme wiederholen. Diese Spurmischaufnahme kann beliebig oft wiederholt werden, bis das erwünschte Ergebnis erzielt wird. Danach kann neues Material aufgezeichnet und das alte Material auf den ersten drei Spuren gelöscht werden.
3. Nun die nächsten Spuren bespielen und gegebenenfalls auf Spur 3 zusammenlegen usw.

# MASTERMISCHUNG (STEREO-ABMISCHUNG)

Die Mastermischung ist die letzte Stufe des Aufnahmeprozesses, bei der das mehrspurige Masterband in ein Mono- oder Stereo Masterband abgemischt wird. Dazu wird das Material auf den Spuren des MT3X mit der Mischeinheit abgemischt und mit einer herkömmlichen Stereobandmaschine aufzeichnet. Dabei müssen die Spurpegel genauestens aufeinander abgestimmt werden, um den richtigen Klang und die erwünschte Mischung zu erzielen. Spuren können je nach Erfordernis ein- und ausgeblendet werden, während mit Hilfe von externen Klangprozessoren Halleffekte nachträglich eingefügt sowie Entzerrungen durchgeführt werden können. Mit den PAN-Reglern des Mischmoduls kann die Position jeder Spur im Stereoklangbild bestimmt werden oder sogar eine Spur zwischen linkem und rechtem Kanal hin- und herverschoben werden, um das Klangbild zu beleben.

Zunächst die notwendigen Einstellungen:

- **TAPE-OFF-LINE-Wahlschalter**

Sicherstellen, daß alle vier TAPE-OFF-LINE-Wahlschalter auf TAPE gestellt sind.

- **Kanalfader**

Alle Kanalfader auf Stellung "0" schieben.

- **REC SELECT-Schalter**

Alle REC SELECT-Schalter auf OFF stellen.

- **AUX- und AUX SEND-Regler**

Zunächst alle AUX- und AUX SEND-Regler auf MIN stellen.

- **PAN-Regler**

Zu Beginn alle PAN-Regler in die Mittelstellung drehen.

- **MASTER-Fader**

Auf einen Wert zwischen "7" und "8" stellen.

- **AUX RTN-Regler**

Vorerst auf MIN stellen.

- **PHONES SELECT-Schalter**

Bei Verwendung eines Kopfhörers oder eines an den MONITOR OUT-Buchsen angeschlossenen Wiedergabesystems den Schalter auf STEREO stellen. Wir empfehlen jedoch zur Überwachung der Stereo-Abmischung eine externe Stereoanlage oder Monitor-Lautsprecher mit integriertem Verstärker (wie den YAMAHA MS101 Monitor-Lautsprecher) an die ST OUT-Buchsen anzuschließen, wodurch die Einstellung des PHONES SELECT-Schalters keinen Einfluß hat.

- **MONITOR-Regler**

Alle MONITOR-Regler auf "0" drehen.

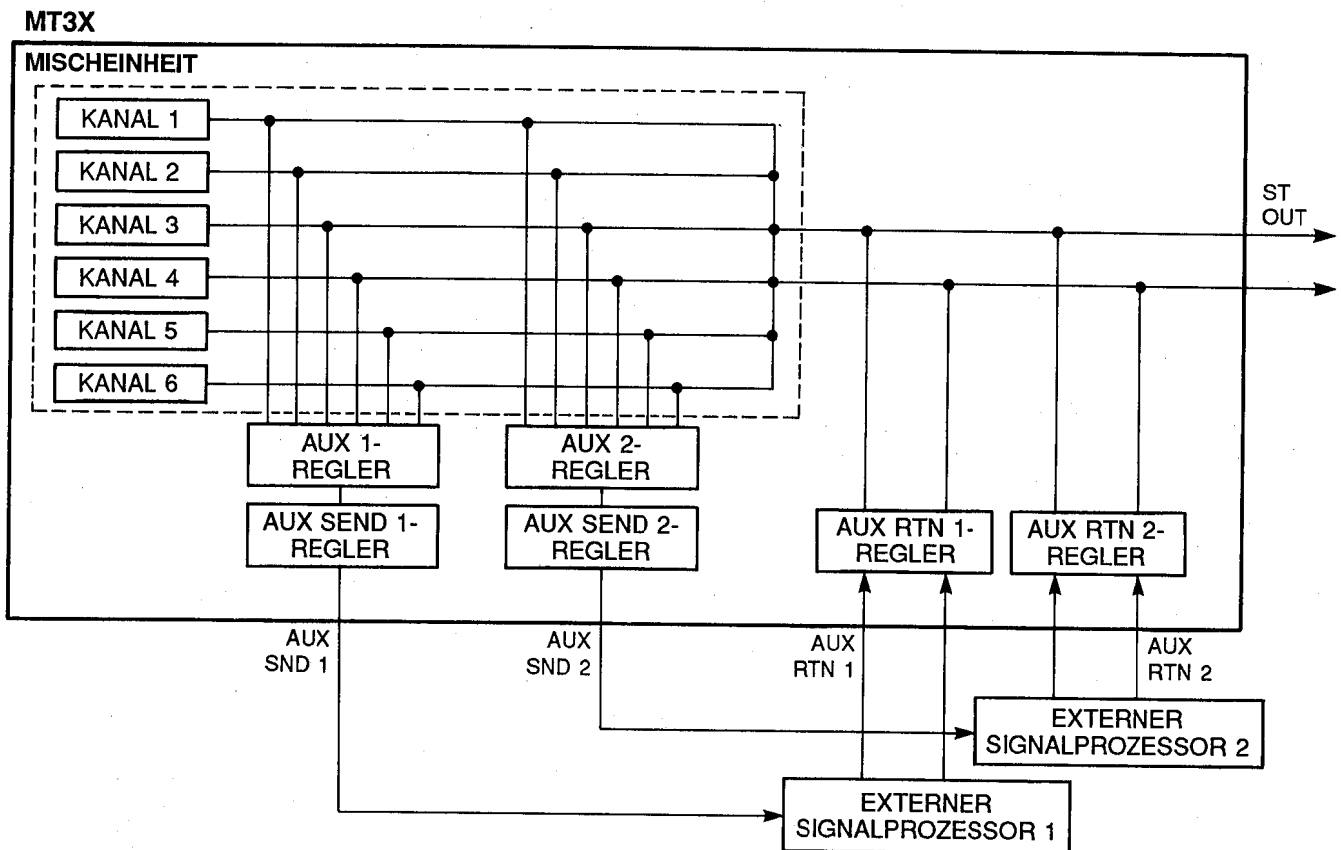
- **dbx-Schalter**

Wenn die bisherigen Aufnahmen mit dbx angelegt worden sind, denn Schalter auf ON belassen. Falls die Aufzeichnungen ohne dbx durchgeführt wurden, den Schalter auf OFF lassen.

1. Eine komfortable Hörposition vor den Monitor-Lautsprechern einnehmen.
2. Die einzelnen Spuren separat abhören und bewerten. Dazu müssen Sie nur den Kanalfader (1 - 4) der entsprechenden Spur anheben. Sie können dann Effekte oder andere Signalbearbeitungen zuschalten. Diese Überprüfung sollte für alle Spuren durchgeführt werden. Falls ein externer Signalprozessor wie der professionelle YAMAHA Multi-Effektprozessor SPX900 an den AUX SEND/RTN-Buchsen des MT3X angeschlossen ist (siehe VERWENDUNG DER AUX SEND/RTN-SCHLEIFE im nächsten Kapitel), müssen Sie nur den erwünschten Effekt abrufen und dann den Effektanteil für jede Spur mit den AUX-Reglern justieren. Der AUX RTN-Regler muß ebenso auf einen angemessenen Pegel eingestellt werden.
3. Nachdem die Spuren einzeln überprüft worden sind, sollten Sie die ersten vier Kanalfader (1 - 4) auf einen Wert zwischen "7" und "8" einstellen und das Band wiedergeben. Dabei die Fader auf eine optimale Spurbalance einstellen und die Spuren mit den PAN-Reglern im Stereobild positionieren. Zum Abschluß dann das Band noch einmal genau untersuchen. Enthalten die Spuren den korrekten Reverb-Anteil usw. ? Erforderlichenfalls den Effektanteil mit den AUX-Reglern korrigieren. Stimmt die Spurbalance? Diese wird über die Kanalfader berichtigt. Ebenso die Entzerrung überprüfen. Gegebenfalls die EQ-Regler abstimmen, damit die Spuren gleichmäßig ineinander übergehen. Außerdem sollten Sie vor der endgültigen Abmischung Überblendungen oder Panorama-Änderungen üben, damit nachher alles glatt geht.
4. Nachdem alle Spuren korrekt überarbeitet und überprüft sind, kann die eigentliche Aufnahme der Mastermischung vorbereitet werden. Dazu die ST OUT-Buchsen des MT3X an den Eingängen eines Stereo-Kassettendecks anschließen. Der Kopfhörer kann nun an die Kopfhörerbuchse des Stereo-Kassettendecks angeschlossen werden, um die Aufnahme mitzuhören. Er kann aber auch weiter mit dem MT3X verbunden bleiben, da ja in der STEREO-Stellung des PHONES SELECT-Schalters das Master-Stereosignal an der Kopfhörerbuchse anliegt. Natürlich können die MONITOR OUT-Buchsen weiterhin zur Speisung eines externen Klangüberwachungssystem verwendet werden. Die Aufnahmepegel über die entsprechenden Regler des Stereo Kassettendecks und gegebenenfalls auch über den MASTER-Fader des MT3X aussteuern. Dann die Aufnahme durchführen. Mit dem MASTER-Fader kann am Ende der Aufnahme eine langsame Ausblendung durchgeführt werden.

# VERWENDUNG DER AUX SEND/RTN-SCHLEIFE

Die Regler AUX 1 und 2 des MT3X wirken praktisch wie ein Sekundärmischmodul, das die Eingangssignale von den vier Kanälen des Mixers empfängt und in ein Mono-Signal verwandelt, das an die AUX SND-Buchsen 1 und 2 gelegt wird (siehe Diagramm unten). Mit den AUX-Reglern kann eine Effektmischung erstellt werden, die von der Hauptmischung vollkommen unabhängig ist. Dadurch kann ein Effekt auf jedem Kanal mit unterschiedlichem Grad wirken. Das AUX SND-Signal wird dann zum Eingang eines externen Signalprozessors (Reverb, Echo oder andere Effektgeräte) geschickt und dann vom Ausgang des Prozessors über die AUX RTN-Buchse zum MT3X zurückgeleitet. Der Pegel des an der AUX RTN-Buchse eintreffenden Effektsignals kann mit dem AUX RTN-Regler justiert werden. Das resultierende Signal wird dann mit den Stereo-Mastersignalen des MT3X zusammengelegt. Da das zurückgegebene Effektsignal mit dem Stereo-Ausgangssignal der Mischeinheit kombiniert wird, eignet sich die AUX SEND/RTN-Schleife bei der endgültigen Abmischung besonders zum Hinzufügen von Effekten in einzelnen Spuren.



## HINWEIS:

Da die AUX SEND/RTN-Schleifen das Effektsignal an die Stereo-Ausgänge der Mischeinheit zurückführen, können den einzelnen Kanälen auch bei Pinpong-Aufnahmen Effekte hinzugefügt werden, falls die Kanalzuweisung über die PAN-Regler erfolgt. Die AUX SEND/RTN-Schleifen können jedoch nicht zum Einblenden von Effekten verwendet werden, falls die Aufnahmespuren mit der direkten Kanal/Spurzuweisung den Kanälen zugeordnet worden sind.



# PUNCH-IN/OUT-AUFNAHME (EINFÜGAUFNAHME)

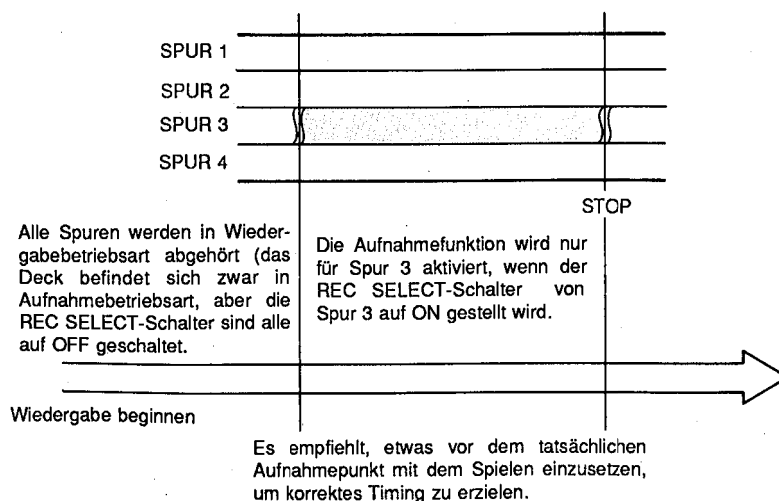
Mit Hilfe der Punch-in/out-Aufnahme kann ein kurzes Segment einer ansonsten perfekten Spur erneut aufgenommen werden, um Fehler zu korrigieren oder Verbesserungen vorzunehmen. Die Aufnahme wird am Beginn des betreffenden Segments ausgelöst und am Ende des neuen Segments gestoppt, wodurch das übrige Material nicht gelöscht wird.

## ● Manuelles Auslösen und Stoppen der Punch-in/out-Aufnahme mit den REC SELECT-Schaltern

1. Zunächst alle 4 REC SELECT-Schalter auf OFF stellen, dann das Deck vorspulen und ein paar Takte vor dem aufzunehmenden Segment durch Drücken der REC- und PLAY-Taste auf Aufnahmebereitschaft schalten. Damit blinkt die rote REC-Anzeige, um darauf hinzuweisen, daß der Bandtransport in Aufnahmebereitschaft läuft. Der PHONES SELECT-Schalter sollte auf MIX gestellt werden, damit alle Spuren und die Quelle abgehört werden können.
2. An einem günstigen Punkt auf der Spur, die zu korrigieren ist, deren REC SELECT-Wahlschalter in die entsprechende Aufnahmeposition bringen und das neue Material spielen, das aufgenommen werden soll. Sobald der REC SELECT-Schalter in eine Aufnahmestellung gebracht worden ist, leuchtet die REC-Anzeige stetig.
3. Am Ende des neu bespielten Segments den REC SELECT-Schalter auf OFF stellen, um diese Spur auf Wiedergabe zu schalten. Dadurch blinkt die rote REC-Anzeige wieder.

## ● Auslösen/Stoppen der Punch-in/out-Aufnahme per Fußschalter

1. Einen YAMAHA FS-1 Fußschalter (getrennt erhältlich) an die PUNCH I/O-Buchse des MT3X anschließen.
2. Den REC SELECT-Schalter der Spur, in die die Neuaufnahme eingefügt werden soll, auf die entsprechende Aufnahmeposition stellen und dann die REC-Taste drücken, um auf Aufnahmepause zu schalten. Die rote REC-Anzeige sollte zu diesem Zeitpunkt zu blinken beginnen. Falls sie stetig leuchtet, den Fußschalter einmal drücken, damit sie blinkt.
3. Die PLAY-Taste drücken, damit der Bandtransport in Aufnahmebereitschaft zu laufen beginnt.
4. Am Startpunkt für die Punch-in-Aufnahme den Fußschalter drücken. Die rote REC-Anzeige leuchtet damit stetig.
5. Am Ende der Aufnahme den Fußschalter ein zweites Mal drücken. Damit beginnt die rote REC-Anzeige wieder zu blinken.



## ● **Automatischer Einfügaufnahmestart/stopp**

Dank dieser praktischen Funktion können Sie den Anfangs- und Endpunkt der Einfügaufnahme vorher festlegen und müssen daher bei der Aufnahme die Regler nicht mehr betätigen.

1. Den REC SELECT-Schalter der Spur, in die eingefügt werden soll, auf die gewünschte Aufnahmeposition stellen.
2. Den Anfangs- und Endpunkt der Einfügaufnahme mit der AUTO PUNCH I/O-Funktion des MT3X eingeben. Dazu die AUTO PUNCH MEMO-Taste an der vorgesehenen Anfangsstelle drücken (die MEMO-Anzeige über AUTO PUNCH I/O beginnt zu blinken) und dann am Endpunkt erneut betätigen (die MEMO-Anzeige über AUTO PUNCH I/O leuchtet damit stetig).
3. Das Band bis zu einer Stelle vor dem Anfangspunkt der Einfügaufnahme zurückspulen (dabei Bezug auf das Bandzählwerk nehmen).
4. Die Taste AUTO PUNCH I/O drücken, um die Auto-Einfügaufnahmefunktion zu aktivieren. Die I/O-Anzeige im AUTO PUNCH I/O-Anzeigefeld des Displays leuchtet dadurch auf, um anzuzeigen, daß die AUTO PUNCH I/O-Aufnahme in Bereitschaft versetzt ist.
5. Die Tasten REC und PLAY drücken, um den Bandtransport zu starten. Vor dem eingegebenen Anfangspunkt für die Punch-In-Aufnahme blinkt die rote REC-Anzeige. Sobald der Anfangspunkt der Einfügaufnahme erreicht ist, schaltet das MT3X die gewählte Spur auf Aufnahme und die REC-Anzeige leuchtet stetig. Am eingegebenen Endpunkt der Einfügaufnahme schaltet das MT3X die Spur wieder auf Wiedergabe.

### **HINWEIS:**

Die AUTO PUNCH I/O-Funktion arbeitet nicht, wenn das Band nicht zuvor über den Anfangspunkt für die Einfügaufnahme zurückgespult worden ist.

### **HINWEIS:**

Die AUTO PUNCH I/O-Funktion kann abgebrochen werden, indem Sie die Taste AUTO PUNCH I/O einfach ein zweites Mal drücken. Zum Löschen des eingespeicherten Anfangs- und Endpunkts müssen Sie die MEMO-Taste drücken, um die MEMO-Anzeige zum Blinken zu bringen und dann die MEMO-Taste erneut betätigen. Dadurch erlischt die MEMO-Anzeige.

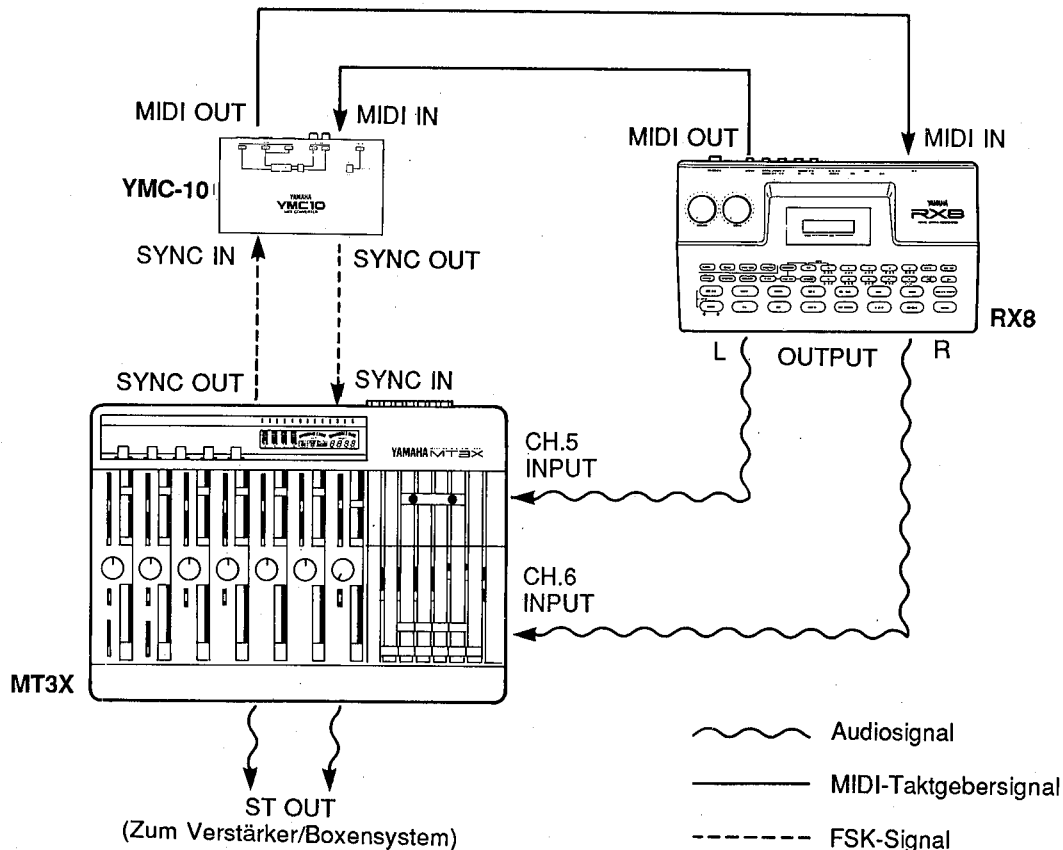
# MIDI-SYNCHRONISIERUNG

Mit Hilfe eines externen MIDI-Wandlers wie dem YAMAHA YMC-10 können MIDI-Geräte wie Sequenzer, MIDI-Rekorder, MIDI-Computer und ähnliche mit der Wiedergabe des MT3X synchronisiert werden.

Nachstehend wird ein einfaches Beispiel für MIDI-Synchronisierung gegeben. Bei diesem Beispiel konvertiert der MIDI-Wandler YMC-10 das vom Digital-Rhythmusgerät RX8 ausgegebene MIDI-Taktgebersignal in ein FSK-Audiosynchronisationssignal um, das auf Band aufgezeichnet werden kann. Umgekehrt wandelt der YMC-10 natürlich auch FSK-Signale von Band in MIDI-Taktgebersignale um, die den RX8 steuern können. Bevor Material auf Band aufgezeichnet wird, muß jedoch der SYNC-Schalter des MT3X auf IN gestellt und das programmierte Rhythmusmuster des RX8 wiedergegeben werden. Das resultierende Synchronisationssignal vom YMC-10 wird mit dem normalen Aufnahmeverfahren auf Spur 4 aufgezeichnet. Wenn dann das RX8 auf "EXTERNAL SYNC" gestellt wird (wodurch es von externen MIDI-Taktgebersignalen gesteuert werden kann) und das Band wiedergegeben wird, startet, läuft und stoppt das RX8 in Entsprechung

zur Synchronisationsspur im MT3X. Nachdem dies durchgeführt wurde, können die restlichen drei Spuren unter Bezug auf den Rhythmus vom RX8 bespielt und sogar mit dem Pingpong-Verfahren zusammengelegt werden. Da die Synchronisationsspur nur die Geschwindigkeit und den Start/Stopzeitpunkt des RX8 steuert, können Rhythmusmuster editiert und programmiert werden, ohne daß man sich um die Synchronisation zu sorgen braucht.

Das gleiche Prinzip gilt auch bei der Synchronisation mit einem MIDI-Sequenzer, MIDI-Computer oder anderem MIDI-Gerät. Falls eine große Anzahl von externen Quellen mit dem Band synchronisiert werden soll, wird unter Umständen ein kleines Zusatzmischpult benötigt, um die Quellensignale mit den Stereo-Signalen abzumischen. Diese Mischung kann dann über die Eingangskanäle 5 und 6 dem internen Mischmodul des MT3X zugeführt werden.

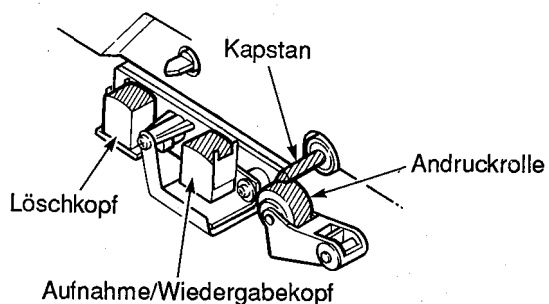


# WARTUNG

Die Wiedergabe-Aufnahmekopfanordnung des MT3X besteht aus Teilen, die auf kleinste Toleranzen gefertigt sind, um hochwertige 4-Spuraufnahmen zu ermöglichen. Eine optimale Leistung läßt sich daher nur erzielen, wenn die Kopfoberflächen äußerst saubergehalten werden. Die Reinigung sollte in regelmäßigen Abständen ausgeführt werden, zumindest alle 10 Betriebsstunden. Verschmutzte Tonköpfe führen zu einem oder mehreren der nachfolgend aufgeführten Probleme:

- Aufnahme, Wiedergabe und Löschung nicht möglich.
- Verminderte Wiedergabepegel.
- Pegelschwankungen und/oder Klangverzerrungen.
- Übermäßiges Rauschen
- Pegelabfall im Höhenbereich.

Falls eines der oben genannten Symptome auftritt, zunächst die Köpfe sorgfältig reinigen, bevor auf eine Störung am Deck untersucht wird. Zur Reinigung einen im Handel erhältlichen Reinigungssatz (dessen Anleitung sorgfältig beachten) oder Wattestäbchen mit Reinigungsalkohol verwenden. Gleichzeitig mit den Köpfen die Andruckrolle säubern.



**\* Die schraffierten Bereiche reinigen.**

# TECHNISCHE DATEN

## BANDTRANSPORT

Bandsorte	<i>Chromband (70 µs EQ)</i>
Tonköpfe	<i>Permalloy Vierkanal-Aufnahme/Wiedergabekopf, Vierkanal-Ferritlöschkopf</i>
Bandgeschwindigkeit	<i>4,75 cm/Sek., 9,5 cm/Sek.</i>
Tonhöhenreglung	<i>±10%</i>
Gleichlaufschwankungen	<i>Unter 0,15% WRMS</i>
Umspülzeit	<i>Ca. 100 Sek. bei C-60 Bändern</i>
Motor	<i>DC-Servomotoren x 2</i>

## ANSCHLÜSSE

Input 1 & 2	Eingangsimpedanz	<i>10 kOhm</i>
	Nenneingangspegel	<i>-10 dB bis -50 dB (Fader nominal)</i>
	Max. Eingangspegel	<i>+10 dB (Trimmregler auf Max..)</i>
	Min. Eingangspegel	<i>-56 dB (Trimmregler, Fader auf Max.)</i>
Input 3 — 6	Eingangsimpedanz	<i>10 kOhm</i>
	Nenneingangspegel	<i>-10 dB (Fader nominal)</i>
	Min. Eingangspegel	<i>-16 dB (Fader auf Max.)</i>
AUX RTN 1 & 2 (L, R)	Eingangsimpedanz	<i>10 kOhm</i>
	Nenneingangspegel	<i>-10 dB (Fader nominal)</i>
	Min. Eingangspegel	<i>-16 dB (Fader auf Max.)</i>
Stereo OUT L & R	Ausgangsimpedanz	<i>1 kOhm</i>
	Lastimpedanz	<i>Über 10 kOhm</i>
	Nennausgangspegel	<i>-10 dB an 50 kOhm</i>
Phones OUT	Lastimpedanz	<i>8 bis 40 Ohm</i>
	Max. Ausgangsleistung	<i>100 mW + 100 mW/40 Ohm</i>
Monitor OUT L & R	Ausgangsimpedanz	<i>1 kOhm</i>
	Lastimpedanz	<i>Über 10 kOhm</i>
	Nennausgangspegel	<i>-10 dB an 50 kOhm</i>
Tape OUT 1 bis 4	Ausgangsimpedanz	<i>1 kOhm</i>
	Lastimpedanz	<i>Über 10 kOhm</i>
	Nennausgangspegel	<i>-10 dB an 50 kOhm</i>
Aux Send 1 & 2	Ausgangsimpedanz	<i>1 kOhm</i>
	Lastimpedanz	<i>Über 10 kOhm</i>
	Nennausgangspegel	<i>-10 dB an 50 kOhm</i>

## ELEKTRISCHE DATEN

Frequenzgang (NR OUT)	<i>40 Hz bis 18 kHz ±3 db bei 9,5 cm/Sek. 40 Hz bis 12,5 kHz ±3 db bei 4,75 cm/Sek.</i>
Rauschabstand	<i>85 dbx ON, nach IHF-A</i>
Verzerrung	<i>1,5%, 315 Hz (EIAJ)</i>
Kanaltrennung	<i>Mehr als 55 dB bei 1 kHz</i>
Löschfaktor	<i>Über 70 dB bei 1 kHz</i>
Rauschunterdrückung	<i>dbx*</i>
Equalizer(Kuhschwanzcharakteristik)	<i>Max. ± 12 dB (HIGH: 10 kHz, LOW: 100 Hz)</i>

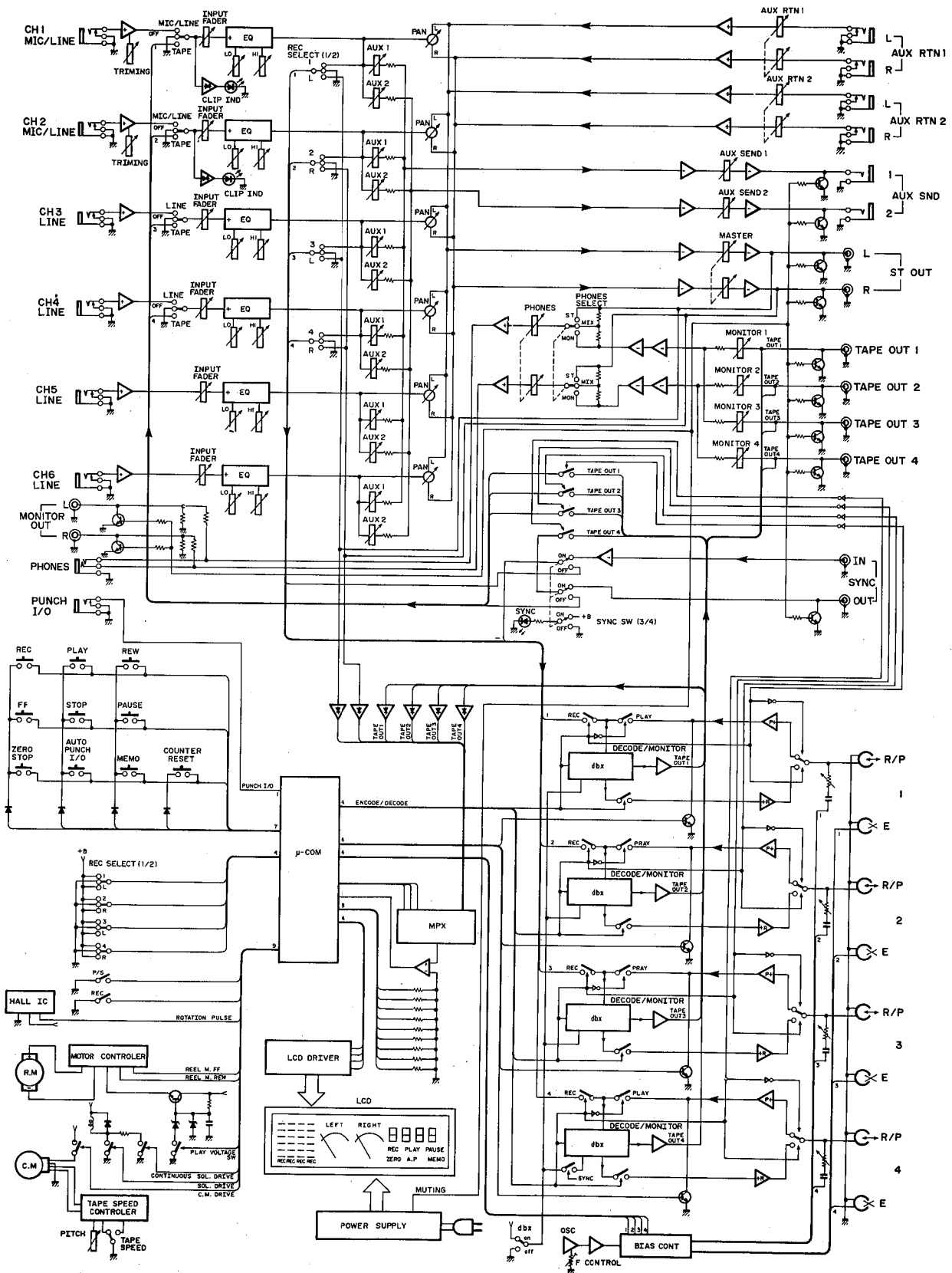
## ALLGEMEINES

Stromversorgung	<i>US &amp; Kanada-Modell: 120 V Wechselspannung, 60 Hz Allgemeines Modell: 220/240 V Wechselspannung, 50/60 Hz</i>
Leistungsaufnahme	<i>US &amp; Kanada-Modell: 24 W Allgemeines Modell: 19 W</i>
Abmessungen (B x H x T)	<i>443 x 107 x 325 mm</i>
Gewicht	<i>US &amp; Kanada-Modell: 3,7 kg Allgemeines Modell: 3,9 kg</i>

\* dbx ist das Markenzeichen von dbx Incorporated. • 0dB = 0,775 Veff

• Änderungen an technischen Daten und Design ohne Vorankündigung bleiben vorbehalten.

# BLOCKDIAGRAM



**SERVICE**

This product is supported by YAMAHA's worldwide network of factory trained and qualified dealer service personnel. In the event of a problem, contact your nearest YAMAHA dealer.

**ENTRETIEN**

L'entretien de cet appareil est assuré par le réseau mondial YAMAHA de personnel d'entretien qualifié et formé en usine des concessionnaires. En cas de problème, prendre contact avec le concessionnaire YAMAHA le plus proche.

**KUNDENDIENST**

Für dieses Gerät steht das weltweite YAMAHA Kundendienstnetz mit qualifiziertem, werksgeschultem Personal zur Verfügung. Bei Störungen und Problemen wenden Sie sich bitte an Ihren YAMAHA-Händler.

# YAMAHA

VH32140

YAMAHA CORPORATION  
P.O.Box 1, Hamamatsu, Japan

9005 R4   Printed in Japan