

YAMAHA CDX-5000 *RS*

Natural Sound Compact Disc Player

Lecteur de disque audionumérique de la série "Natural Sound"

Natural Sound Compact Disc Spieler

Natural Sound Compact Disc-spelare

Letto di Compact Disc a Suono Naturale



CENTER

OWNER'S MANUAL

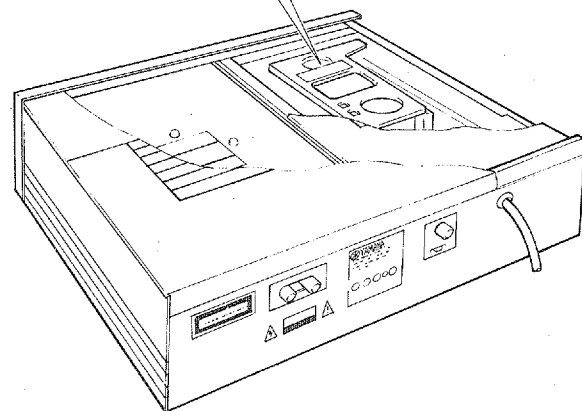
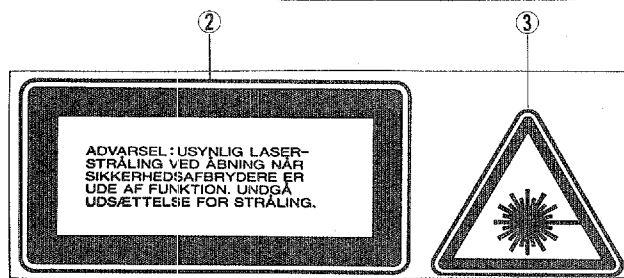
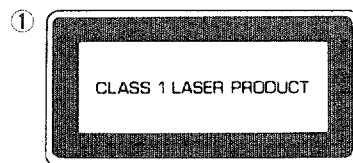
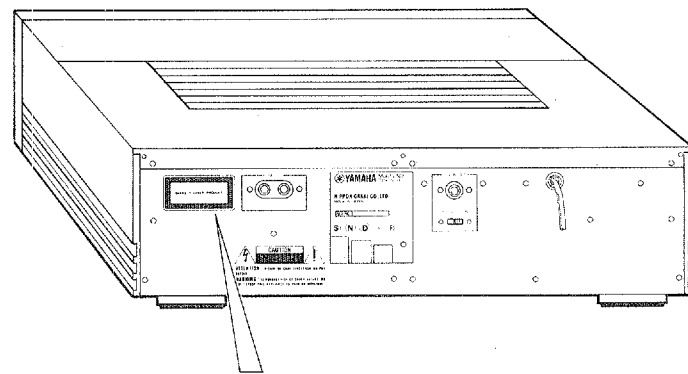
MODE D'EMPLOI

BEDIENUNGSANLEITUNG

BRUKSANVISNING

MANUALE DELL'UTENTE

● CAUTION ● ACHTUNG ● OBSERVERA ● ADVARSEL ● VAROITUS



① THIS LABEL IS ATTACHED TO THE PLACE AS ILLUSTRATED TO INFORM THAT THE APPARATUS CONTAINS A LASER COMPONENT.

② THIS LABEL IS ATTACHED IN THE POSITION SHOWN IN THE ILLUSTRATION, SO THAT ANY FURTHER PROCEDURE WILL BRING THE USER INTO EXPOSURE WITH THE LASER BEAM.

③ THIS LABEL INFORMING LABEL INFORMING OF RADIATION IS PLACED INSIDE THE UNIT, AS SHOWN IN THE ILLUSTRATION. TO WARN AGAINST FURTHER MEASURES ON THE UNIT, THE EQUIPMENT CONTAINS A LASER COMPONENT RADIATING LASER RAYS EXCEEDING THE LIMIT OF LASER PRODUCTS OF CLASS 1.

CAUTION — USE OF CONTROLS OR ADJUSTMENTS OR PERFORMANCE OF PROCEDURES OTHER THAN THOSE SPECIFIED HEREIN MAY RESULT IN HAZARDOUS RADIATION EXPOSURE.

① DIESE AUFKLEBEMARKE IST AN DEM IN DER ABBILDUNG GEZEIGTEN ORT ANGEBRACHT, UM DARAUF HINZUWEISEN, DASS SICH IM INNERN DES GERÄTS EINE LASER-KOMPONENTE BEFINDET.

② DIESE AUFKLEBEMARKE IST WIE IN DER ABBILDUNG GEZEIGT ANGEBRACHT, UM DAVOR ZU WARNEN, DASS DER BENUTZER BEI WEITERGEHENDEN EINGRIFFEN LASERSTRAHLEN AUSGESETZT WERDEN KÖNNEN.

③ DAS VOR STRAHLUNG WARNENDE DREIECK WURDE IM INNERN DES GERÄTS ANGEBRACHT, UM VOR WEITERGEHENDEN EINGRIFFEN ZU WARNEN, IM GERÄT BEFINDET SICH EINE LASER-KOMPONENTE, DEREN LASERSTRAHLEN DIE FÜR PRODUKTE DER LASERKLASSE 1 ZULASSIGE GRENZE ÜBERSCHREITEN.

ACHTUNG — VERWENDUNG VON REGLERN, EINSTELLUNGEN ODER EINGRIFFE VON ANDERER NATUR ALS HIERIN ANGEZEIGT KANN DIE AUSSETZUNG GEFÄHRLICHER STRAHLENDEN DOSEN NACH SICH ZIEHEN.

① PÅSKRIFTEN SITTER PÅ APPARATEN SOM VISAS SOM EN UPPMANING OM ATT APPARATEN OMFATTAR EN INBYGGD LASERKOMPONENT.

② TEXTSKYLTEN FÖR LASERN ÄR PLACERAD PÅ APPARATEN SOM EN UPPMANING OM ATT APPARATEN INNEHÅLLER EN LASERKOMPONENT.

③ VARNINGSSKYLTEN FÖR STRÅLNING HAR PLACERATS I APPARATEN, SOM BILDEN VISAR, SOM EN VARNING OM YTTRELLIGARE INGREPP I APPARATEN MATERIELEN INNEHÅLLER EN LASERKOMPONENT SOM AVGER LASERSTRÅLNING ÖVERSTIGANDE GRÄNSEN FÖR LASERKLASS 1.

VARNING — INGREPP I APPARATEN BÖR ENDAST FÖRETAS AV FACKMAN MED KUNSKAP OM ATT RISK FÖRELIGGER FÖR LASERSTRÅLNING.

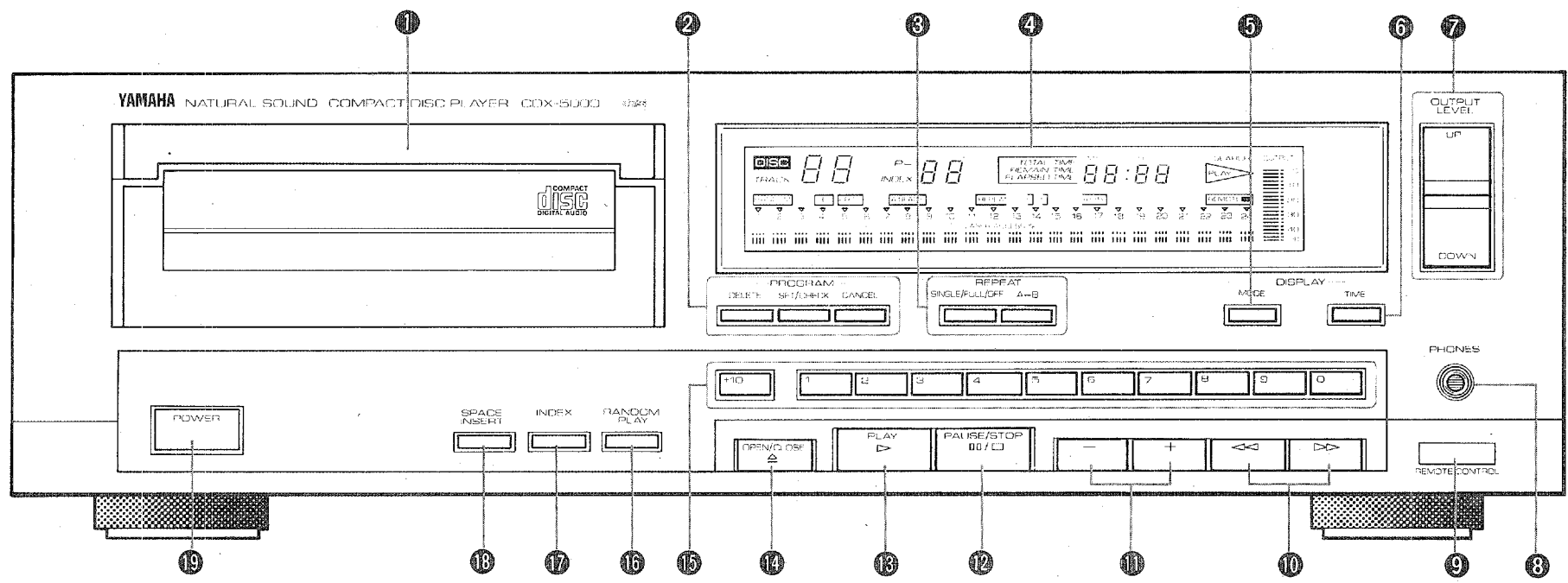
① DETTE MÆRKAT ER ANBRAGT SOM VIST I ILLUSTRATIONEN FOR AT ADVARE BRUGEREN OM AT APPARATET INDEHOLDER EN LASERKOMPONENT.

② DETTE MÆRKAT OM LASEREN ER ANBRAGT PÅ APPARATET SOM EN OPLYSNING OM AT APPARATET INDEHOLDER ET LASERKOMPONENT.

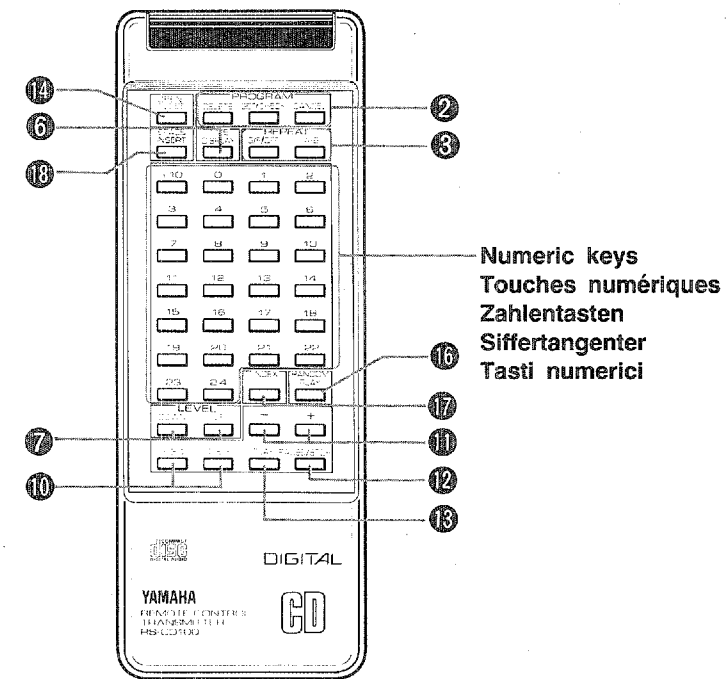
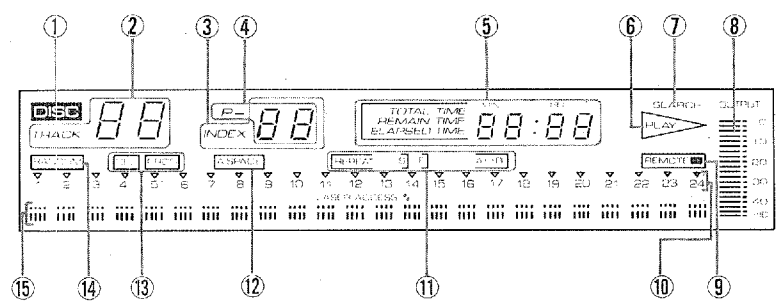
③ ADVARSELSKILTET OM STRÅLING ER PLACERET I DENNE APPARAT, SOM VIST I ILLUSTRATIONEN, SOM EN ADVARSEL OM YDERLIGERE INDGEB I APPARATET. APPARATET INDEHOLDER ET LASERKOMPONENT SOM AVGIVER LASERSTRÅLING DER OVERSTIGER GÆNSEVERDIEN FOR LASERKLASSE 1.

ADVARSEL! INDGEB BØR KUN FORETAGES AF EN FAGMAND DA DER ER RISIKO FOR LASER-STRÅLING.

③ "VAROITUS! SUOJAKOTELOA EI SAA AVATA. LAITE SISÄLTÄÄ LASERDIODIN, JOKA LÄHETTÄÄ NÄKYMÄTÖNTÄ SILMILLE VAARALLISTA LASERSÄTEILYÄ."

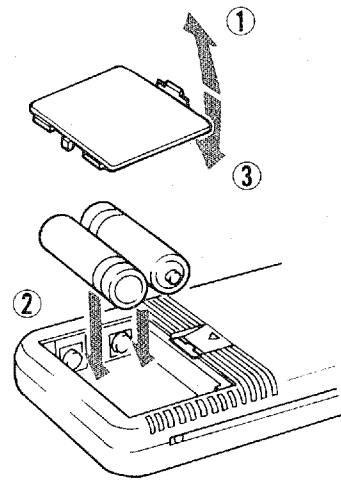


- ① Display window
- ② Fenêtre d'affichage
- ③ Anzeige
- ④ Visningstavla
- ⑤ Display

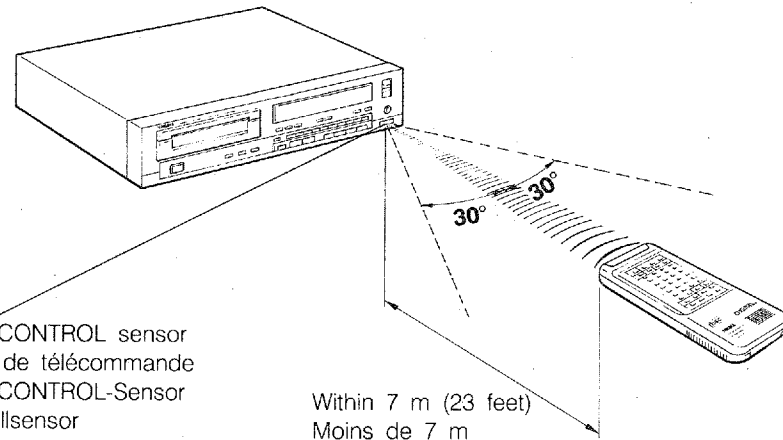


- Numeric keys
- Touches numériques
- Zahlentasten
- Sifertangenter
- Tasti numerici

3



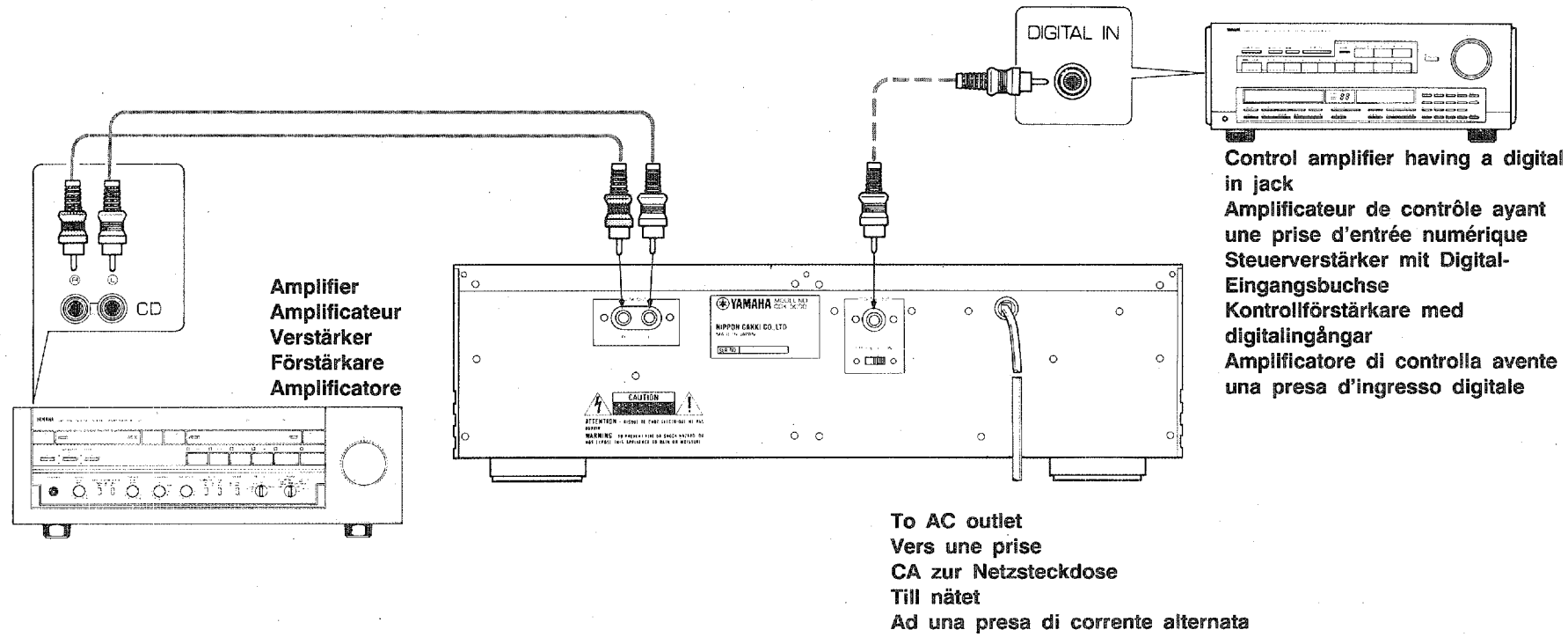
4



REMOTE CONTROL sensor
 Détecteur de télécommande
 REMOTE CONTROL-Sensor
 Fjärrkontrollsensor
 Sensore del telecomando
 (REMOTE CONTROL)

Within 7 m (23 feet)
 Moins de 7 m
 Bis zu 7 m
 Inom 7 meter
 Entro 7 metri

5



Amplifier
 Amplificateur
 Verstärker
 Förstärkare
 Amplificatore

Control amplifier having a digital
 in jack
 Amplificateur de contrôle ayant
 une prise d'entrée numérique
 Steuerverstärker mit Digital-
 Eingangsbuchse
 Kontrollförstärkare med
 digitalingångar
 Amplificatore di controllo avente
 una presa d'ingresso digitale

To AC outlet
 Vers une prise
 CA zur Netzsteckdose
 Till nätet
 Ad una presa di corrente alternata

• Thank you for purchasing the YAMAHA CDX-5000 compact disc player.

CAUTION: READ THIS BEFORE OPERATING YOUR UNIT.

1. The CDX-5000 is a sophisticated compact disc player. To ensure proper operation for the best possible performance, please read this manual carefully.
2. Choose the installation location of your unit carefully. Avoid placing it in direct sunlight or close to a source of heat. Also avoid locations subject to vibration and excessive dust, heat, cold or moisture. Keep it away from such sources of hum as transformers or motors.
3. Do not install the unit on other component and do not place the television set or color monitor on the unit.
4. Do not open the cabinet as this might result in damage to the set, or electrical shock. If a foreign object should get into the set, contact your dealer.
5. To prevent lightning damage, pull out the power cord during an electrical storm.
6. When removing the power plug from the wall outlet, always pull directly on the plug; never pull the cord itself.
7. Do not use force when using the switches.
8. When moving the set be sure to first pull out the power plug and remove cords connected to other equipment.
9. Do not attempt to clean the unit with chemical solvent as this might damage the finish. Use a clean, dry cloth.
10. Be sure to read the "Troubleshooting" section for advice on common operating errors before concluding that your unit is faulty.
11. Keep this manual in a safe place for future reference.

12. Voltage selector (General model only)
The voltage selector switch on the rear panel of this unit must be set for your local mains voltage before plugging in the AC main supply.

WARNING
TO PREVENT FIRE OR SHOCK HAZARD, DO NOT EXPOSE THIS APPLIANCE TO RAIN OR MOISTURE.

CAUTION: TO PREVENT ELECTRIC SHOCK DO NOT USE THIS (POLARIZED) PLUG WITH AN EXTENSION CORD, RECEPTACLE OR OTHER OUTLET UNLESS THE BLADES CAN BE FULLY INSERTED TO PREVENT BLADE EXPOSURE.

SPECIAL INSTRUCTIONS FOR U.K. MODEL

IMPORTANT:
The wires in the mains lead are coloured in accordance with the following code.

Blue: NEUTRAL
Brown: LIVE

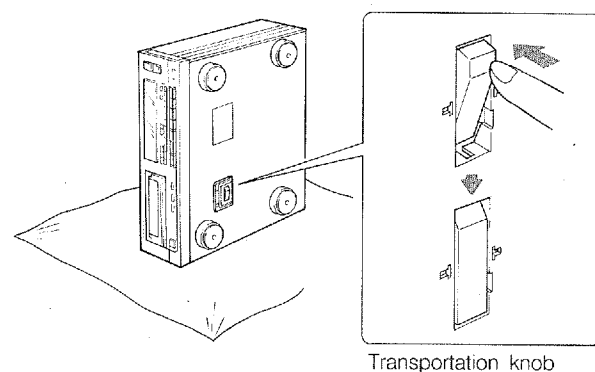
As the colours of the wires in the mains lead of this apparatus may not correspond with the coloured markings identifying the terminals in your plug, proceed as follows. The wire which is coloured BLUE must be connected to the terminal which is marked with the letter N or coloured BLACK. The wire which is coloured BROWN must be connected to the terminal which is marked with the letter L or coloured RED.

BEFORE OPERATION

SETTING THE TRANSPORTATION KNOB

In order to protect the unit from the vibration and shocks during transportation, the internal laser pickup mechanism is held in place with the transportation knob located on the bottom of the unit. Be sure to set the transportation knob before connection.

1. As shown in the figure, spread out a soft cloth, etc. and gently stand the unit on its side, taking care not to scratch the finish.
2. Depress the knob until it clicks.



Transportation knob

When the knob is not depressed until it clicks, the unit does not play.

When standing the unit, be sure to stand it on its side. Do not set it with the front panel facing up (rear panel terminals down).

- * When re-transporting the unit, depress the opposite side of the knob so that it returns to the original position after confirming a disc is not loaded on the tray.

NAME OF PARTS AND FUNCTIONS

(See Fig. 1.)

① Disc tray

Place a disc on the tray with its label surface upwards.

② PROGRAM operation buttons

These buttons are used when playing the required tunes in the desired order or skipping the undesired tunes.

DELETE: Used to set the delete program.

SET/CHECK: Used to set the program or check the programmed contents.

CANCEL: Used to clear the programmed contents.

③ REPEAT mode select buttons

Used to activate the repeat play.

SINGLE/FULL/OFF: Used to set and cancel the single, full or program repeat play mode, and to cancel the A-B repeat mode.

A-B: Used to set the A-B repeat play mode.

④ Display window

① DISC indicator

Lights when a disc is loaded.

② TRACK display

Shows the track number of the selection.

③ INDEX display

During play, the display shows the index number of the selection being played. If the disc does not contain index number, the INDEX display remains 01.

④ Program number display

Displays the program number. During programming, "P-" blinks.

When the programming is completed, this display shows the program number.

⑤ Time display

REMAIN TIME: Shows the remaining play time of the disc or programmed selections.

TOTAL TIME: Shows the total play time of the disc or programmed selections.

ELAPSED TIME: Shows the elapsed time of the selection being played.

⑥ Play indicator

Lights up during play.

This indicator blinks when the unit is set to pause mode.

⑦ SEARCH indicator

Lights when the unit seeks for the selection.

⑧ OUTPUT LEVEL indicator

Indicates the output level.

⑨ REMOTE indicator

The square dot on the right lights when the signal from the remote control transmitter is received.

⑩ Music calendar display

Music triangles (▽): Indicates the tunes to be played from now including the currently playing tune.

Track No. (1 -24) : Indicates the number of tunes contained on the disc in numeric display.

⑪ REPEAT indicators

These show the repeat play mode.

REPEAT S : Single repeat play

REPEAT F : Full repeat play

REPEAT A-B : A-B repeat play

⑫ A. SPACE indicator

This indicator lights when the Auto Space function is activated, which leaves the fixed interval between tunes.

⑬ Program operation indicators

PROG (Program) : This indicator shows that the program memory is set.

DEL (Delete) : This indicator shows that the delete program is set.

⑭ RANDOM indicator

This indicator lights when Random Play mode is engaged. Tune order on the disc is rearranged automatically so that the tunes are played at random.

⑮ LASER ACCESS indicator

Indicates the laser pick-up position as a percentage of the total time of the loaded disc.

⑯ MODE DISPLAY button

Press this button to extinguish the display except TRACK number display and time display.

When the program operation mode, repeat play mode, random play mode or space insert mode is selected, the corresponding indicator lights even when this button is pressed.

⑰ TIME DISPLAY button

Press this button to change the time display mode (elapsed time, total time and remain time).

⑱ OUTPUT LEVEL controls

Use this control to adjust the level at OUTPUT jacks and PHONES jack.

For normal operation, press the UP button so that the OUTPUT LEVEL indicator indicates 0 dB.

⑲ PHONES jack

Connect the plug of the headphones to this jack for private listening.

⑳ REMOTE CONTROL sensor

Receives the signal from the remote control transmitter.

㉑ Forward and reverse buttons

Press to move in forward or reverse at high speed.

When the button is kept pressed for more than about 3 seconds, the forward or reverse speed is increased.

㉒ + and - buttons

Press to select a desired track number on the disc in the stop mode. During play, press this button to skip to the desired selection.

㉓ PAUSE/STOP button

When this button is pressed during play, the play indicator blinks and the disc play is temporarily stopped. Press PLAY button to resume play at the point where it was paused.

In the pause mode, pressing this button stops the unit at the beginning of the disc during normal play or at the beginning of the first programmed selection during program play.

13 PLAY button

Press to begin play. The play indicator will light.

14 OPEN/CLOSE button

Press this button to open/close the disc tray.

15 Numeric buttons (+10, 1 - 0)

These buttons are used to designate the track number or index number for selecting the tunes or program play.

16 RANDOM PLAY button

When this button is pressed, the tune order on the disc is rearranged automatically and the tunes will be played at random.

17 INDEX button

When this button is pressed, the index number can be designated for index search.

18 SPACE INSERT button

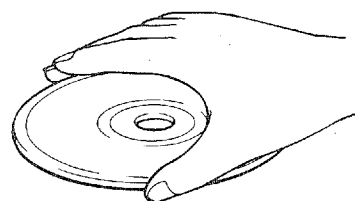
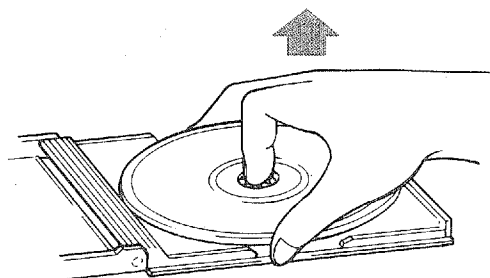
Press this button to insert the interval of approx. 3 seconds between tunes when playing.

19 POWER switch

Press this switch to turn the power on. Press the switch again to turn the power off.

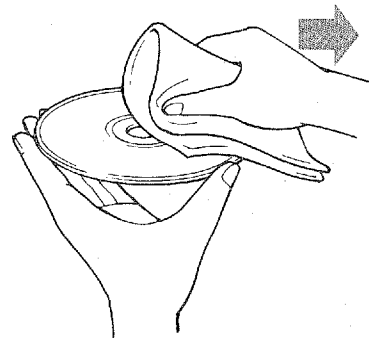
NOTES ON HANDLING DISC

- Your unit has been specifically designed for the reproduction of compact discs bearing the "CD" mark. No other discs should be loaded into the player.
- To remove the disc from its storage case, press down on the center of the opened case and lift the disc out carefully holding it by the edges.

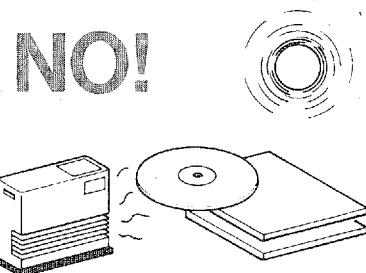


- Although compact discs are impervious to wear during play, damage to the surface of a disc through improper handling will result in play irregularities.

- Although minute dust particles and finger prints should have no effect on play, you should keep the surface of the recorded side of your discs clean by wiping them with a clean, dry cloth. Wipe in a straight motion from the inside to the outside.



- Never use record cleaner, record spray, antistatic sprays or liquids, or any chemical-based liquid to clean the surface of disc as these may irreparably damage the disc's plastic surface. Always return a disc to its protective plastic case when not use it.
- Avoid exposing discs to direct sunlight, high temperature, or high humidity for extended periods of time. Long exposure to high temperatures may warp a disc.



- Carefully handle the compact disc so that its surface is not scratched.

REMOTE CONTROL TRANSMITTER

NUMERIC KEYS (See Fig. 2.)

Used to directly select the track No. to be played.

- Other keys on the remote control transmitter have the same functions as those on the main unit.

BATTERY INSTALLATION (See Fig. 3.)

- ① Slide out the battery compartment lid in the direction of the arrow.
- ② Install the batteries (size "AA", R06) with correct polarities.
- ③ Attach the battery compartment lid until it clicks.

REMOTE CONTROL OPERATION RANGE (See Fig. 4.)

BATTERY REPLACEMENT

When the remote controllable distance becomes short, batteries are exhausted. Replace two batteries with new ones.

Battery cautions

Incorrect use of the battery may cause leakage or explosion. Be careful the following items:

When replacing:

- Place the batteries in correct (+) and (-) polarities as indicated in the battery compartment.
- Do not use the old battery together with new one.
- Do not use the different kind of batteries at the same time even though in the same shape.

Rechargeable batteries:

- There are two kinds of batteries in the market; rechargeable and non-rechargeable. Read the caution labels on the battery carefully.

Use with the remote control transmitter:

- When not in use for an extended period of time, remove the batteries from the remote control transmitter.
- Replace the exhausted batteries earlier in good time.

To prevent accident:

- Never disassemble, heat the battery, or throw into the fire. Dispose the batteries in the specified places.
- Do not connect (short) (+) and (-) directly with the metal piece, etc.

In case of leakage:

Wipe off the electrolyte in the battery compartment completely before replace with the new batteries.

CONNECTIONS

(See Fig. 5.)

NOTES

- Switch off the power to the components when connecting or disconnecting the pin cords.
1. Connect the left and right LINE OUT jacks with the left and right CD or AUX jacks on the amplifier or receiver using the supplied connecting pin cord.
 - Do not connect the PHONO jacks.
 2. Connect the power cord to the connector at the rear and to the AC outlet on the rear panel of the stereo amplifier or receiver or to a household AC outlet.

DIGITAL OUT jack and switch

If you have an amplifier with digital in jack or D/A converter, the DIGITAL OUT jack can be used. Connect the DIGITAL OUT jack to the digital in jack of the amplifier or D/A converter using the commercially available connecting pin cord and set this switch to ON. If not connected, be sure to set this switch to OFF.

DISC LOADING

1. Press the POWER switch.
2. Press the OPEN/CLOSE button to open the disc tray.
3. Place a compact disc on the disc tray with the label surface side up. Check that the disc is resting at the center of the disc tray.
4. When the OPEN/CLOSE button is pressed, the disc tray closes.
5. The unit operates for several seconds to read its contents, the TRACK display displays the total number of tracks, and the time display displays the total playing time for a few seconds and the unit stops at the beginning of the disc.

* When the PLAY button, numeric button or the front of the disc tray is pressed to close the disc tray, the total number of tracks and the total play time are not displayed and the unit will enter the play mode at the beginning of the disc.

- Do not insert objects into the disc tray. It could result in malfunction.
- Do not forcibly open or close the disc tray.
- When not using the player, keep the disc tray closed.
- Do not press down on the disc tray.

DISC PLAY

1. Press the POWER switch. Press the OPEN/CLOSE button to open the disc tray and load the disc.
2. Press the OPEN/CLOSE button to close the disc tray.
3. Press the PLAY button to start play. When the disc tray is closed by pressing the PLAY button or the front of the disc tray, it is not necessary to press the PLAY button.
4. Press the PAUSE/STOP button to temporarily stop disc play. To resume play press the PLAY button.
5. Press the PAUSE/STOP button twice to stop play.

MUSIC CALENDAR DISPLAY

When a disc is loaded, the track numbers of the tunes contained on the disc (from the first tune to the last tune) are displayed, and the music triangle indicators are displayed above the track number. As the music triangle indicator will be go off when a tune is finished, the number of remaining tunes can be checked at a glance.

DIRECT PLAY

To begin disc play directly from a desired track, press the corresponding numeric button. Play start automatically from the beginning of the selected track number.

NUMERIC KEYS OPERATION

When selecting the 10th and later tunes (with the remote control transmitter, 25th and later tunes), press the +10 button to set the 10's digit.

Example

To select the 25th tune:

1. Press +10 button twice.
 2. Press 5 button. Play starts automatically from the beginning of the 25th tune.
- * Each time the +10 button is pressed, the 10's digit is increased in the order [1], [2], [3] [9] and back to [0] again.

* When the numeric button on the remote control transmitter is pressed after pressing the +10 button, the tune of which both numbers are added will be selected. For example, pressing "+10" and "20" will select the 30th tune.

DIRECT SEARCH

To begin disc play from a desired track, select the desired starting track number using the + or - button in the stop mode. Press the PLAY button and the play will begin at that track.

SKIP SEARCH

When the player is already in the play mode and you wish to move to a different desired track, select the new track number using the + or - button. The selected track number is displayed and the play will begin at that track.

- To listen to the track following that presently being played:
Press the + button once.
- To listen to the presently playing track once again:
Press the - button once.
- To listen to the track previous to the one presently playing:
Press the - button twice in succession.

MANUAL SEARCH

FAST FORWARD MANUAL SEARCH

During play, when the forward button is pressed, play will be advanced rapidly while this button is kept pressed.

FAST BACK MANUAL SEARCH

During play, when the reverse button is pressed, play will be fast reversed while this button is kept pressed.

- During the manual search operation, when you have found the part of the desired selection, release the forward or reverse button and normal play will begin from that point.
- If the manual search operation is begun from the pause mode, you can search for your desired location observing the time display alone without any sound.

INDEX SEARCH

When the disc having index numbers is loaded, play can be started from the desired index number by designating with the numeric buttons.

1. Select the desired tune with numeric button.
2. Press the INDEX button. The INDEX indicator will blink.
3. Press the numeric button of the desired index point.

Index

- Indexing means that a single track has been divided into even smaller divisions, and each division has been assigned an "index number". Before playing, consult the instructions for your particular disc.
- When the PLAY button is pressed after selecting an index number not existed on the disc the player will start playing from the beginning of the track.
- When the number exceeding the highest index number on the disc is designated, play will start from the last index point.
- To cancel the designated index number, press the PAUSE/STOP button.
- In the index search operation (on some discs), play may start slightly before the designated point.
- When the desired index number is detected, the index search function will be released and the blinking INDEX indicator will light.
- If no index number is encoded on the disc, play will start from the beginning of the selected tune.
- On some discs, the index search operation may required slightly longer time.

- To release the index search function, during the INDEX indicator is lit press the INDEX button.
- When the numeric button is not pressed after pressing the INDEX button, the INDEX indicator will continue blinking until the tune is finished then lights. The index number can be designated only when the INDEX indicator is blinking.

RANDOM PLAY

1. Press the RANDOM PLAY button. The RANDOM indicator will light and the random play will start.
- During programming or program play, the random play does not function.
 - During random play, the INDEX button does not function.
 - To release the random play, press RANDOM button, numeric buttons, + button, or - button

PROGRAM PLAY

1. Press the PAUSE/STOP button twice to set the player to the stop mode.
 2. Press the SET/CHECK button. The PROG indicator lights and "P-" indicator blinks.
 3. Select the desired tune to be played first with the numeric button during "P-" indicator is blinking. At this time the music triangle indicators will go off except corresponding music triangle indicator.
- * Be sure to select the tune within 10 seconds. Otherwise, the "P-" indicator lights and programming is not possible.

4. Select the tune to be played next with the numeric button.
The corresponding music triangle indicator will light. In the same way as above, up to 24 tunes can be programmed in any desired order.
 5. Press the SET/CHECK button twice.
 6. Press the PLAY button to start program play.
- To check the programmed contents, press the SET/CHECK button in the stop mode. (The tune number and programmed order of the programmed tunes can be checked in turn by pressing the SET/CHECK button.)

CHANGING AND CANCELING THE PROGRAM

To check the program:

1. In the stop mode, press the SET/CHECK button to call up the program number to be changed.
2. Select the new tune with the numeric button. The previously programmed tune will be cleared and the new tune will be programmed in memory.

To cancel the program:

To cancel the whole program:

- Press the CANCEL button in the stop mode.
- Open the disc tray.
- Turn the power off.
- After setting the program, press the SET/CHECK button to return to the first program condition (the blinking "P-" indicator lights) then press the CANCEL button.

To delete one tune from the program:

- In the stop mode, press the SET/CHECK button (the "P-" indicator blinks) to display the tune number to be deleted, then press the CANCEL button. The tune will be cleared and the next programmed tune will be moved up.

NOTES

- The index number cannot be programmed.
- If the total program playback time exceeds 99 minutes 59 seconds, the rest time which is subtracted by 100 minutes from the real time will be displayed for the TOTAL TIME and REMAIN TIME display.
- In the program play, when the 24th or later tune is programmed, the REMAIN TIME and TOTAL TIME will not be displayed.

DELETE PROGRAM PLAY

1. Press the PAUSE/STOP button twice to set the player to the stop mode.
2. Press the DELETE button then press the SET/CHECK button.
3. Set the tune number to be deleted with the numeric button.
The corresponding music calendar indicator will go off.
4. Set the tune number to be deleted next with the numeric button.
5. Press the SET/CHECK button.
6. Press the PLAY button to start delete program play. Tunes will be played from the beginning of the disc but the designated tunes will be skipped.

- The + and - buttons and forward and reverse buttons can be used within the range of the programmed contents.
- If the forward or reverse button is kept pressed over the range of the programmed contents, the unit plays the displayed selection, then returns to the next programmed selection.

REPEAT PLAY

SINGLE REPEAT PLAY

Press the REPEAT SINGLE/FULL/OFF button once. The REPEAT S indicator lights and the displayed selection is played repeatedly.
To release the single repeat play, press the REPEAT SINGLE/FULL/OFF button twice.

- If the forward or reverse button is kept pressed over the range of the selection to be repeated, the newly displayed selection is repeatedly played.

FULL REPEAT PLAY

Press the REPEAT SINGLE/FULL/OFF button twice. The REPEAT F indicator lights and all the selections in the disc are played repeatedly. When the full repeat mode is set during program play, all the programmed selections are repeatedly played.
To release the full repeat mode, press the REPEAT SINGLE/FULL/OFF button once.

A-B REPEAT PLAY

By designating the desired points, any desired section can be played repeatedly.

1. During play or pause mode, press the REPEAT A-B button at the starting point for repeat play.
 2. Press the REPEAT A-B button again at the stop point for repeat play. The points A and B are now registered, and the repeat play starts between A and B.
- To release A-B repeat play
Press the REPEAT SINGLE/FULL/OFF button once to release the A-B repeat play.
- * The A-B repeat play cannot be performed during random program play.

TIMER PLAY

Timer play can be performed when the player is used with a commercially available audio timer.

1. Set the amplifier to play the compact disc player.
2. Turn on the power and load a disc.
3. Set the timer to the time at which you wish play to begin.
4. At the time set on the timer, play will begin from the first selection of the disc.

Be sure to set the output volume of the amplifier to the desired level beforehand.

SPECIFICATIONS

AUDIO SECTION

Frequency Response	DC-20 kHz ±0.3 dB
Harmonic Distortion	
+ Noise	0.002% (1 kHz)
S/N Ratio	115 dB
Dynamic Range	100 dB
Wow & Flutter	Unmeasurable
Output Voltage	2±0.1V
Output Impedance	47 ohms
Headphone Output	3V/150 ohms

INTERNAL SYSTEMS

Optical Pick-up	3-beam laser
Error Correction System	CIRC
D/A Conversion	18-bit floating (L,R twin)
Filter	High bit digital filter and 5th order new active filter

GENERAL

Power Requirements	
General model	110-130/220-240V, 50/60 Hz
Europe model	220-240V, 50 Hz
Australia and U.K. models	240V, 50 Hz
U.S.A. and Canada models	120V, 60 Hz
Power Consumption	25 W
Dimensions (WxHxD)	435 x 140 x 413 mm (17-1/8" x 5-1/2" x 16-1/4")
Weight	21 kg (46 lbs. 5 oz.)
Accessories	Pin plug cord Remote control transmitter (RS-CD100) Batteries (size "AA", R06)

Note that all specifications are subject to change without notice.

TROUBLESHOOTING

If your unit fails to operate normally, check the following points to determine whether the fault can be corrected by the simple measures suggested. If it cannot, or if the fault is not listed in the SYMPTOM column, disconnect the player's power cord and contact your dealer or service center for help.

SYMPTOM	CAUSE	REMEDY
The player fails to turn on when the POWER switch is pressed.	Power cord is not plugged in or not completely inserted.	Firmly plug in the power cord.
The disc tray does not close completely.	A foreign object is entangled in the tray.	Carefully check the disc tray and remove the foreign object.
DISC indicator does not light.	The disc has been inserted upside down.	Load the disc correctly.
	The disc is damaged.	Check the disc carefully and replace if necessary.
	There is moisture on the laser pickup.	Wait 20 to 30 minutes after turning the unit on before trying to play a disc.
Play does not begin.	Disc is loaded upside down.	Reload the disc with the label side up.
	Disc is dirty.	Clean the disc.
Playback is delayed, or begins at the wrong place.	The disc may be scratched or damaged.	Check the disc carefully and replace if necessary.
No sound.	Improper output cable connections.	Connect cables properly. If the problem persists, the cables may be defective.
	Improper amplifier operation.	Set the amplifier controls to the correct input selection.
Sound "skips".	Player subject to vibrations or shock.	Relocate the player.
	Disc is dirty.	Clean the disc.
Sound "hums".	Improper cable connections.	Firmly connect the audio plugs. If problem persists the cables may be defective.
Noise in the tuner.	Tuner too close to the player.	Move the tuner away from the player.
Noise from within the disc tray.	The disc may be eccentric.	Replace the disc.

SINCE 1887  **YAMAHA**
NIPPON GAKKI CO., LTD. HAMAMATSU, JAPAN