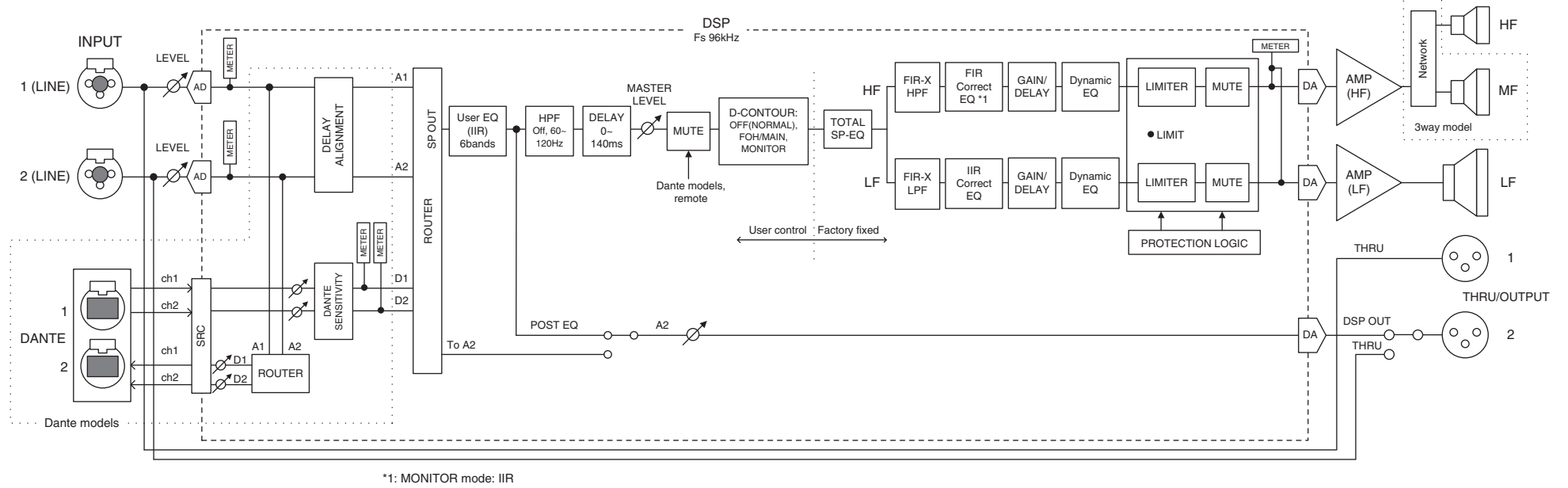


Block Diagram

DZR(-D)



DXS XLF(-D)

