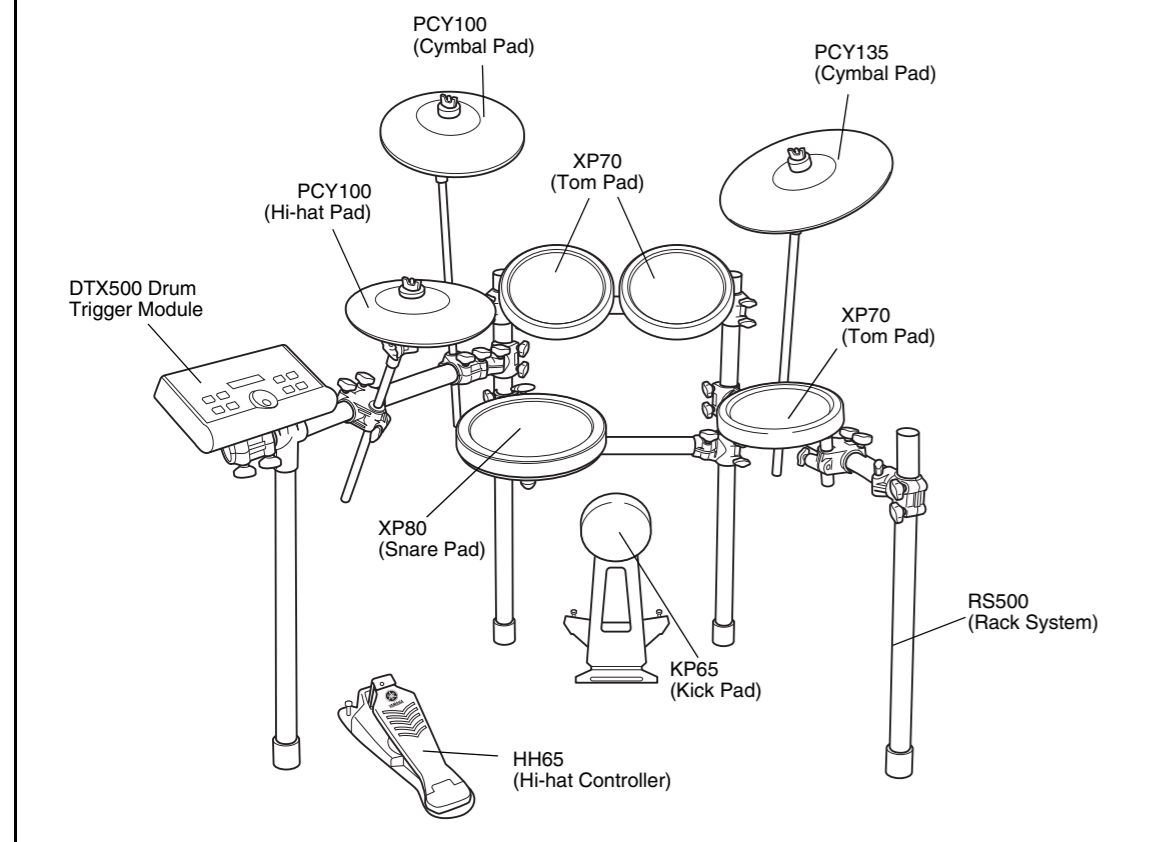


This pamphlet describes the standard procedure for DTX540K/DTX520K assembly. After assembling the parts and connecting the cords as shown below, you will be ready to turn on the drum trigger module.

Example of standard DTX540K assembly



IMPORTANT

- For assembly, you will require four individual packages – an RS500 Rack System, a DTP520C Pad Set, a DTP700P Pad Set*, and a DTX500 Drum Trigger Module. (*: The DTX520K uses a DTP520P Pad Set instead.)
- This pamphlet describes how to attach the pads and drum trigger module to the RS500 Rack System. Before carrying out the procedures described below, ensure that you have correctly assembled the rack system as described in its assembly manual.
- Although this pamphlet uses illustrations of the DTX540K, the assembly procedures described also apply to the DTX520K.

NOTICE

Before starting assembly, lay a drum mat (sold separately) on the floor. Alternatively, before setting up the HH65 Hi-hat Controller and KP65 Kick Pad, you can place the packages' cardboard boxes on the floor to protect it from damage.

1

Assemble the RS500 Rack System.

For details, refer to the assembly manual that came with the rack system.

2

Check the contents of each package.

Package 1: DTP520C

- PCY135 Cymbal Pad (x1)
- PCY100 Cymbal Pad (x2)
- HH65 Hi-hat Controller (x1)
- Hi-hat holder (x1)
- Stoppers for the PCY100 and PCY135 (x3)
- Tuning key (x1)
- Felt for the PCY135 (x1)
- Felts for the PCY100 (x2)
- Cable bands (x10)
- 9-channel snake cable (x1)
- PCY100, PCY135, and PCY155 Owner's Manual (x1)
- HH65 Owner's Manual (x1)
- Assembly Manual (this pamphlet)

Package 2: DTP700P (for DTX540K)

- XP80 Snare Pad (x1)
- XP70 Tom Pad (x3)
- Clamp bolts (x4)
- KP65 Kick Pad (x1)
- XP70 and XP80 Owner's Manual (x1)
- KP65 Owner's Manual (x1)

Package 2: DTP520P (for DTX520K)

- XP80 Snare Pad (x1)
- TP65 Tom Pad (x3)
- Clamp bolts (x4)
- KP65 Kick Pad (x1)
- XP70 and XP80 Owner's Manual (x1)
- KP65 Owner's Manual (x1)
- TP65, TP65S, TP100, and TP120SD Owner's Manual (x1)

Package 3: DTX500

- DTX500 Drum Trigger Module (x1)
 - AC power adaptor* (x1)
 - Module stand (x1)
 - Module stand fastening screws (x2)
 - DTX500 Owner's Manual (x1)
- * May not be included depending on your particular area. Please check with your Yamaha dealer.

PRECAUTIONS

Before using, please read this assembly manual, and use this product in a safe and proper manner.

- Please keep this manual in a safe place for future reference.
- Make sure to read the Assembly Manual of the Rack System and the Owner's Manual of the Pad.

WARNING If this symbol is ignored and the equipment is used improperly, fatal injury to persons or serious damage could occur.

- Do not let small children assemble or set up this product by themselves, or they may be injured. Always assemble this product with adult supervision.
- Be careful with the edges of the Cymbal Holders and the Tom Holders. The sharp holder ends may result in injury.
- Be careful with the edges of the spurs attached to the Kick Pad and foot pedal. The sharp ends may result in injury.
- If this product is used with a Rack System or Cymbal Stand, make sure all bolts are tightened firmly. Also, when adjusting the height or angle, do not suddenly loosen the bolts. Loose bolts may result in the rack overturning or parts dropping, causing injury.
- Always set the product on a flat and solid surface. Placement on a sloping, unstable surface or on steps may result in the product being unstable and subject to overturning.
- When setting up the product, please pay close attention to the handling and setting of cables. Carelessly placed cables may cause the user and others to trip and fall.
- Do not alter the product. Doing so may result in injury or damage/deterioration to the product.
- Do not sit or step on the rack. The rack may overturn or be damaged, resulting in injury.

CAUTION If this symbol is ignored and the equipment is used improperly, there is a danger of injury to persons handling the equipment, and material damage could occur.

- Watch your fingers when adjusting clamps. They may become pinched, resulting in injury.
- Be careful around pipe ends, inside the pipe and screw ends. Metal shavings, etc. may injure your fingers.
- Do not put your hands or feet under the foot pedal or foot switch. They may be pinched, resulting in injury.
- Do not attach acoustic drums to the electronic drum rack. Clamps may be damaged and drums may drop, causing injury.

NOTICE

- Make sure you hold onto the plug, not the cable, when connecting or disconnecting the cable. Also, never place any heavy or sharp objects on the cable. Applying excessive force to the cable may result in damage to the cable, such as the wires being severed, etc.
- Do not step on or place heavy objects on the product. It may result in damage.
- Do not use or keep the product in places with extremely high temperature (places in direct sunlight, close to a heater, in a closed car, etc.) or high humidity (bathroom, outside on a rainy day, etc.). Doing so may result in deformation, discoloration, damage or deterioration.
- When cleaning the product, do not use benzine, thinner or alcohol as it may result in discoloration or deformation. Please wipe with a soft cloth or a damp cloth that has been wrung out thoroughly. If the product is soiled or sticky, use a neutral detergent on a cloth then wipe with a damp cloth that has been wrung out thoroughly to remove any remaining detergent. Also pay close attention so as not to let the water and detergent come into contact with the cushions used in the product; doing so may result in deterioration.

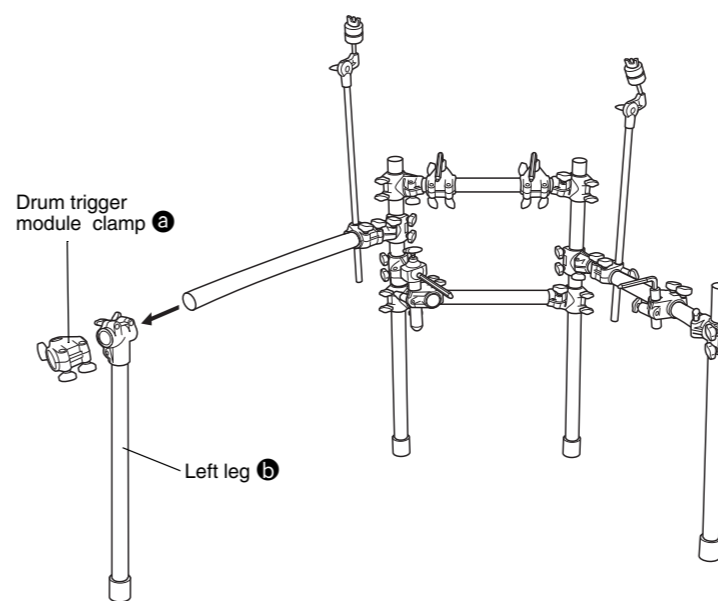
3

Mount the pads and the drum trigger module on the rack system.

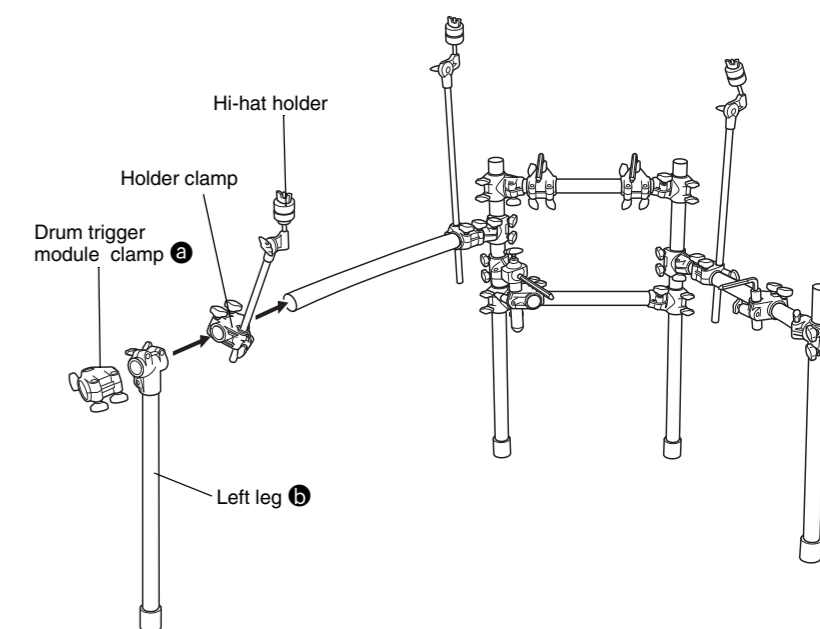
As described below, mount the pads and the trigger module on the rack system, and then position the kick pad and the hi-hat controller.

Mounting the hi-hat holder

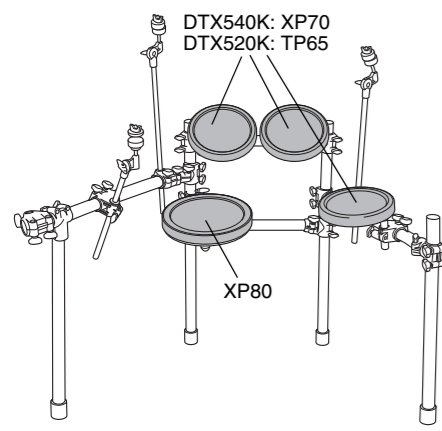
1. Remove the drum trigger module clamp ① from the left of the rack, together with the left leg ②.



2. Assemble the holder clamp for the hi-hat holder ensuring that it is oriented as shown in the figure, and then reassemble the left leg ② and the drum trigger module clamp ①.

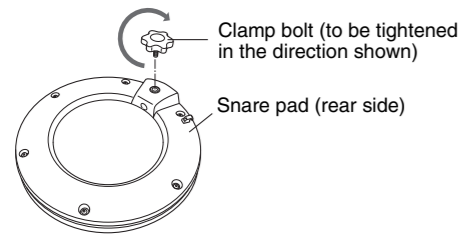


Mounting snare and tom pads

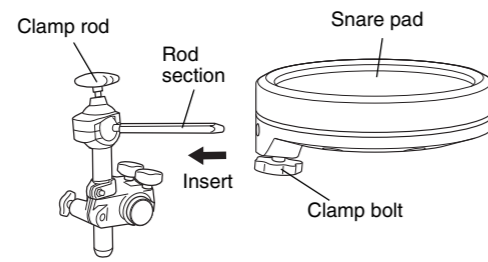


Mounting the snare pad

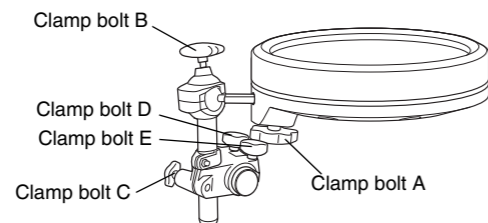
1. Attach the clamp bolt to the snare pad and provisionally tighten (by 5 or 6 turns).



2. Mount the snare pad on the rack's clamp rod. As shown below, ensure that the rod section is fully inserted into the pad's mounting hole, and then fully tighten the clamp bolt.

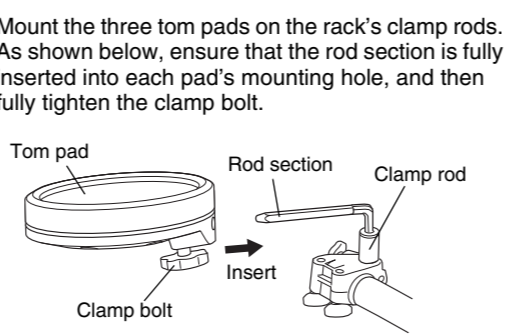


3. If necessary, use clamp bolts A to E to adjust the height and angle of the snare pad. When doing so, be sure to adjust one bolt at a time (i.e., loosen a bolt, adjust the pad, and then retighten before loosening another).

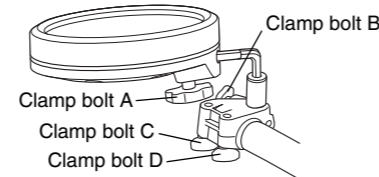


Mounting the tom pad

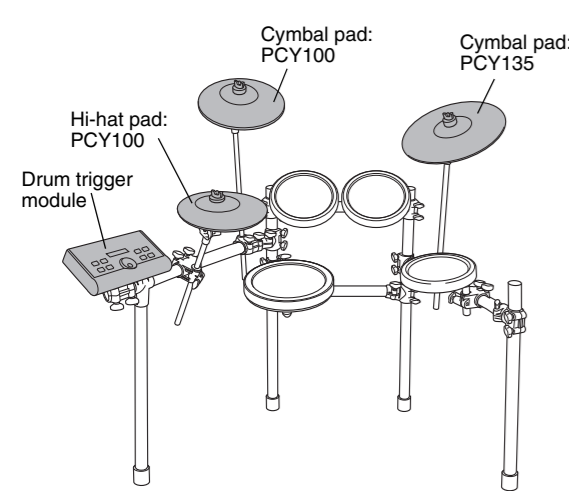
1. As with the snare pad, attach the clamp bolt to each of the three tom pads and provisionally tighten (by 5 or 6 turns).



3. If necessary, use clamp bolts A to D to adjust the height and angle of any of the pads. When doing so, be sure to adjust one bolt at a time (i.e., loosen a bolt, adjust the pad, and then retighten before loosening another).

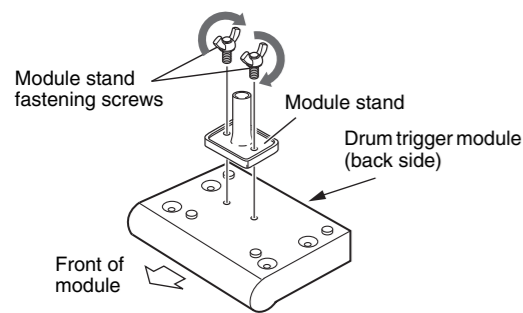


Mounting the drum trigger module, cymbal pads, and hi-hat pad

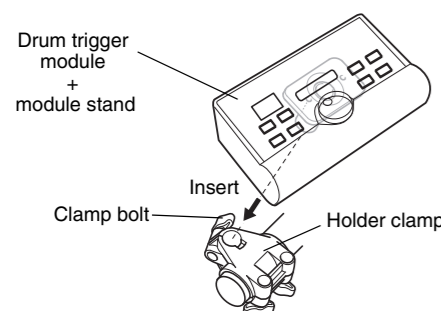


Mounting the drum trigger module

1. Attach the module stand (provided) to the underside of the drum trigger module using the module stand fastening screws.

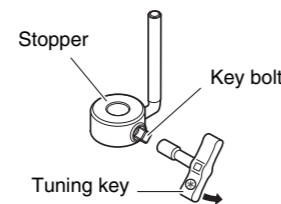


2. Place the module stand inside the holder clamp and tighten the clamp bolt to secure in position.

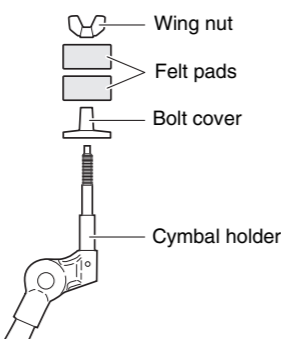


Mounting the cymbal and hi-hat pads

1. Using a tuning key, loosen the stopper's key bolt.



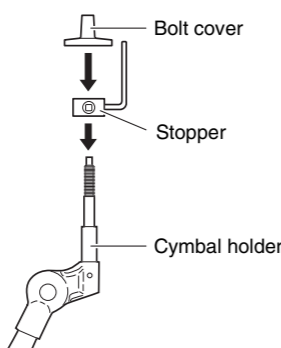
2. Remove the wing nut, the two felt pads, and the bolt cover from the cymbal holder.



3. Place the stopper on the cymbal holder.

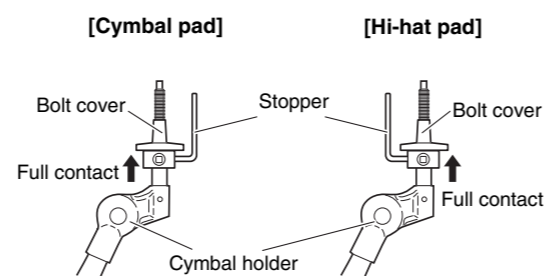
* If the key bolt was not sufficiently loosened in Step 1 above, it may not be possible to pass the stopper over the cymbal holder's shaft. In such a case, loosen the key bolt as much as possible without removing it.

4. Replace the bolt cover.



* When assembling the bolt cover, turn until it no longer rotates.

5. Secure the stopper in place. With the stopper making full contact with the bottom surface of the bolt cover, tighten the stopper's key bolt using a tuning key.



6. Place one of the felt pads removed in Step 2 on the cymbal holder.

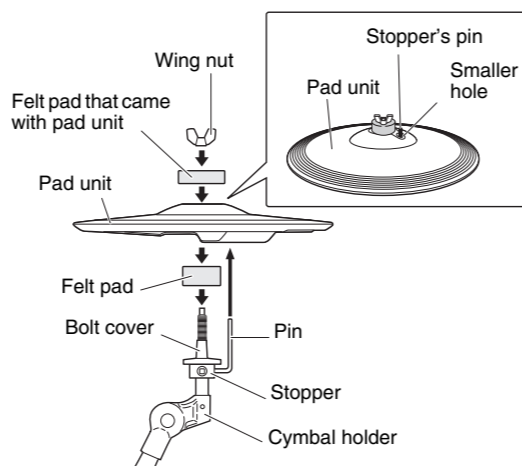
7. Mount the pad unit on the cymbal stand. Lower the pad unit into place with the cymbal holder's shaft passing through the central hole of the cup section. When mounted, the stopper's pin should rest inside the pad unit's smaller hole.

* If you were to play a cymbal pad without the stopper's pin positioned inside the smaller hole, the pad could rotate, causing the cable to be pulled out. It is very important, therefore, to ensure that the stopper is secured as described in Step 5 above.

8. Assemble the felt pad that came with your pad unit.

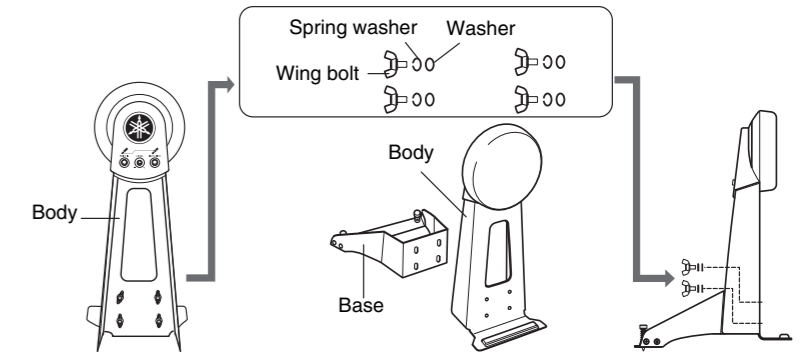
* The second felt pad removed from the cymbal holder in Step 2 above is not required for assembly of your pad unit.

9. Tighten the wing nut to secure the pad unit to the cymbal holder.



Assembling the kick pad

1. If a drum mat (sold separately) is not available, lay a sheet of cardboard on the floor to protect it from scratching.
2. Remove the wing bolts, spring washers, and washers from the kick pad body, and line up each set nearby in the order in which it was removed.
3. Join the base section to the body as shown right, and then secure it in place by assembling the wing bolts, spring washers, and washers removed in the previous step from the base side.



4. Position the hi-hat controller and kick pad as desired, referring to the standard assembly example on the other side.

NOTICE Before starting assembly, lay a drum mat (sold separately) on the floor. Alternatively, you can place the packages' cardboard boxes on the floor under the hi-hat controller and kick pad to protect it from damage.

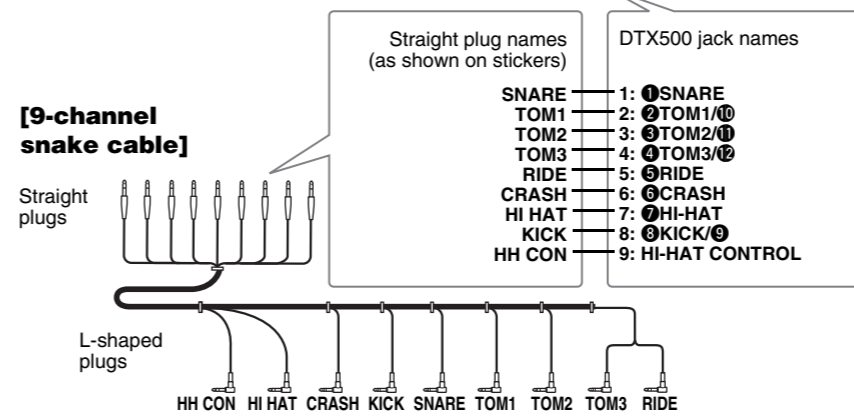
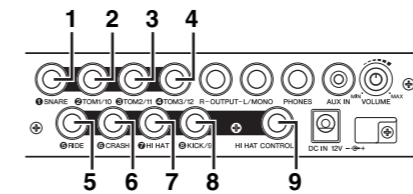
5. Connect the pads to the drum trigger module.

As described below, connect the output of each pad to the corresponding trigger input jack on the drum trigger module.

1. Insert the 9-channel snake cable's straight plugs into the drum trigger module's trigger input jacks ((1) SNARE) to ((9) KICK/((8)) and [HI-HAT CONTROL]).

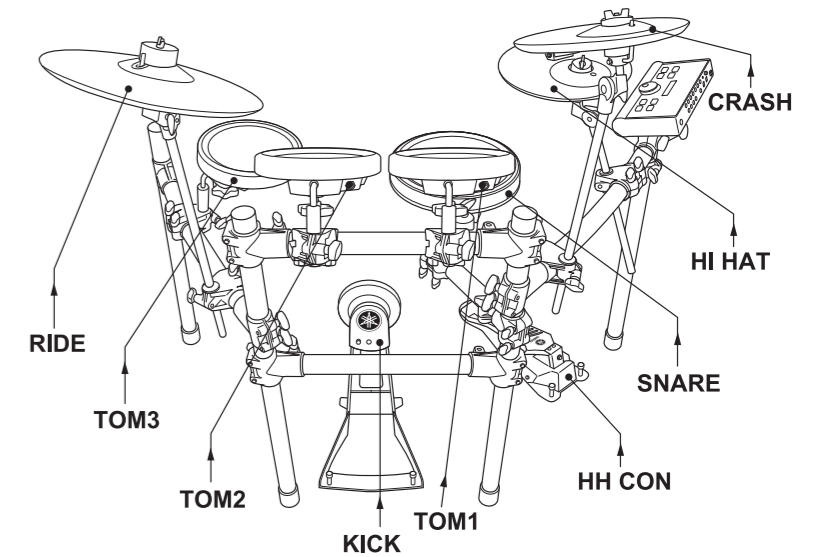
* If you are using the standard setup, the stickers on each of the snake cable's plugs will indicate the name of the corresponding pad.

[Drum trigger module's rear panel]



2. Plug the 9-channel snake cable's L-shaped plugs into the correct pads.

[Locations of pad jacks]



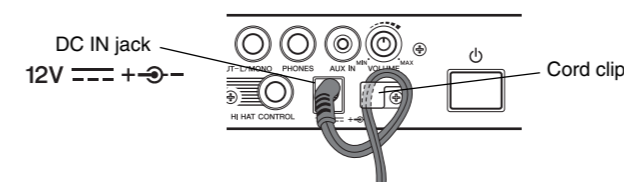
3. In the case of snare and tom pads, wrap the cables around the cable clips to prevent them from being pulled out.

NOTICE Excessive bending can damage the pad cables. Ensure, therefore, that these cables are not bent at an extreme angle when wrapped around the clips.

6. Connect the drum trigger module to a power supply.

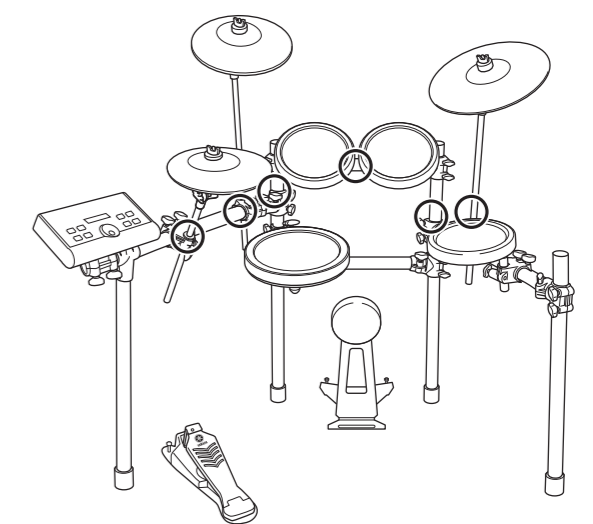
1. Ensure that the (Standby/On) button is set to the Standby position, and then connect the AC power adaptor to the DC IN jack 12V --- + ⊕ --- on the rear panel. Hook the power adaptor's cord around the cord clip to secure it in place.

[Drum trigger module's rear panel]



2. Use the cable bands to bind the cables to the rack as shown on the right. (○)

3. Plug the AC power adaptor into an AC wall socket.



This completes the assembly procedure. * For information about tuning the power on/off, checking the actual sound, and other subsequent steps, refer to the Setting Up section of the owner's manual that came with your drum trigger module.