



YAMAHA NS-P60

**HOME CINEMA CENTER
& EFFECT SPEAKERS**

“NS-P60” is the package number which includes the YAMAHA speaker system NS-C55 and NS-E55.

Thank you for selecting this Yamaha NS-P60 speaker system.

NS-C55 Natural Sound Center Speaker System

PRECAUTIONS

This model is designed to be used as a center speaker system.

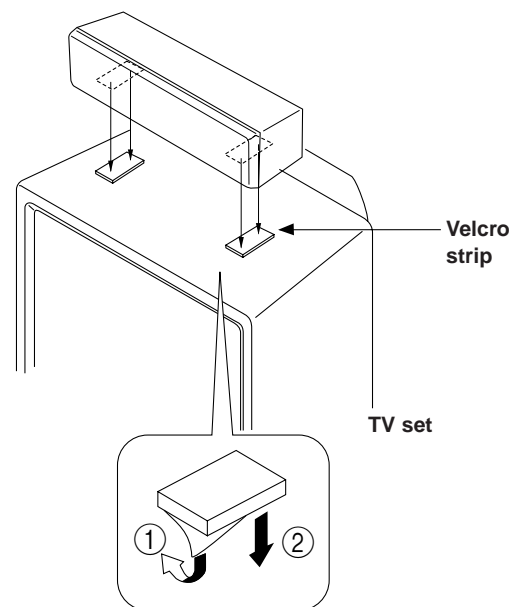
Read these precautions carefully before using your speaker.

- Any time you note distortion, reduce the volume control on your amplifier to a lower setting. Never allow your amplifier to be driven into “clipping”. Otherwise the speaker may be damaged.
- When using an amplifier with a rated output power higher than the nominal input power of the speaker, care should be taken never to exceed the speaker’s maximum input.
- Do not attempt to clean the speaker with chemical solvents as this might damage the finish. To clean, wipe with a dry, soft cloth.
- To prevent the enclosure from warping or discoloring, do not place the speaker where it will be exposed to direct sunlight or excessive humidity.
- Do not place the speaker where it is liable to be knocked over or struck by falling objects. Stable placement will also ensure better sound performance.
- Placing the speaker on the same shelf or rack as the turntable can result in feedback.
- **Secure placement or installation is the owner’s responsibility.**

YAMAHA shall not be liable for any accident caused by improper placement or installation of the speaker.

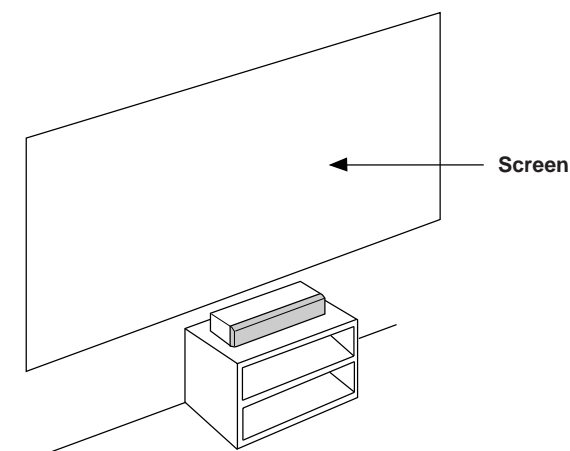
PLACING THE SPEAKER

Place the speaker on top of the TV or on the floor under the TV or inside the TV rack so that it is stabilized. When placing the speaker on top of the TV, to prevent the speaker from falling down, put the provided velcro strips at two points on both bottom of the speaker and top of the TV.



Notes

- Do not place the speaker on top of the TV whose area is smaller than the bottom area of the speaker. If placed, the speaker may drop out causing an injury to you.
- Though this speaker is a magnetic shielding type, there may be some influence on a TV picture depending on the type of TV or the placement of the speaker. In such a case, place the speaker apart from the TV so that there is no influence on TV picture.



CONNECTION TO YOUR AMPLIFIER

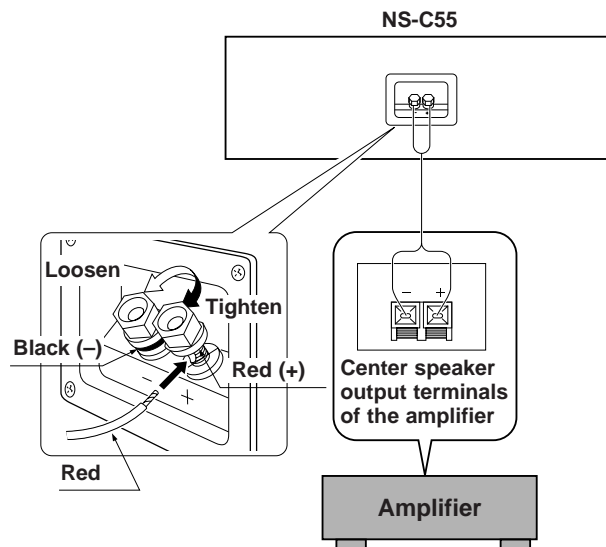
BEFORE MAKING CONNECTIONS, MAKE SURE THAT THE AMPLIFIER IS SWITCHED OFF.

■ CONNECTIONS

- Connect the screw-type input terminals at the rear of the speaker to the speaker output terminals of your amplifier with the provided speaker cords.
- One side of the speaker cord is red and the other side is black. Connect the (+) terminals on both the amplifier and the speaker using this red side. Connect the (-) terminals on both components using the black side of the cord.
- Be careful not to reverse the polarity (+, -). If connected with reversed polarity, the sound will be unnatural and lack bass.

Procedures:

- ① Loosen the terminal knob.
- ② Insert the bare speaker wire end properly into the terminal hole. [Remove approx. 10 mm (3/8") insulation from the speaker cord.]
- ③ Tighten the knob.
- ④ Test the security of the connection by pulling lightly the cord at the terminal.



Note

Do not let the bare speaker wires touch each other as this could damage the speaker or the amplifier, or both of them.

SPECIFICATIONS

Type.....	2-way 3-speaker acoustic-suspension speaker system
	Magnetic-shielding type
Speaker Unit.....	10 cm cone woofer x 2
	2.2 cm dome tweeter
Input Terminal.....	Screw-type
Impedance.....	6 ohm
Frequency Response.....	70 Hz – 30 kHz
Nominal Input Power.....	60W
Maximum Input Power.....	180W
Sensitivity (2.83V, 1m).....	91 dB
Crossover Frequency.....	5 kHz
Dimensions (WxHxD).....	465 x 135 x 173.5 mm
	(18-5/16" x 5-5/16" x 6-7/8")
Weight.....	3.5 kg (7 lbs. 12 oz.)
Accessories.....	Speaker cord (4m) x 1
	Velcro strip x 2

* Specifications subject to change without notice due to product improvements.

* Care should be taken not to exceed the input power values noted above.



YAMAHA CORPORATION
V415010

NS-E55

Natural Sound Effect Speaker System

PRECAUTIONS

This model is designed to be used as an effect speaker system.

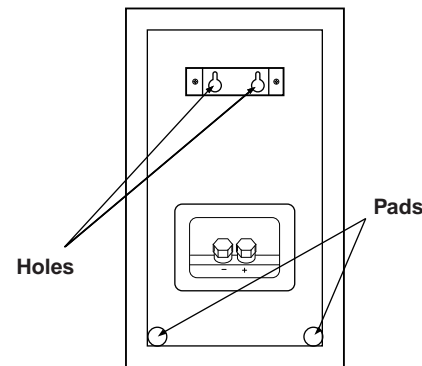
Read these precautions carefully before using your speakers.

- Any time you note distortion, reduce the volume control on your amplifier to a lower setting. Never allow your amplifier to be driven into "clipping". Otherwise the speakers may be damaged.
- When using an amplifier with a rated output power higher than the nominal input power of the speakers, care should be taken never to exceed the speakers' maximum input.
- Do not attempt to clean the speakers with chemical solvents as this might damage the finish. To clean, wipe with a dry, soft cloth.
- To prevent the enclosure from warping or discoloring, do not place the speakers where they will be exposed to direct sunlight or excessive humidity.
- Do not place the speakers where they are liable to be knocked over or struck by falling objects. Stable placement will also ensure better sound performance.
- Placing the speakers on the same shelf or rack as the turntable can result in feedback.
- As these speakers contain strong magnets, avoid placing watches, magnetic tapes, etc. near them. Also, placing the speakers near a TV set may impair picture color. If this happens, move the TV set away from the speakers.
- **Secure placement or installation is the owner's responsibility.**
YAMAHA shall not be liable for any accident caused by improper placement or installation of the speakers.

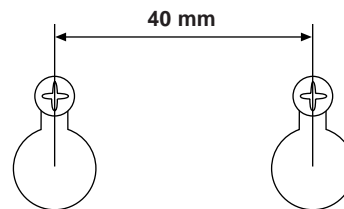
SETTING UP THE SPEAKERS

■ Mounting the speakers on a wall

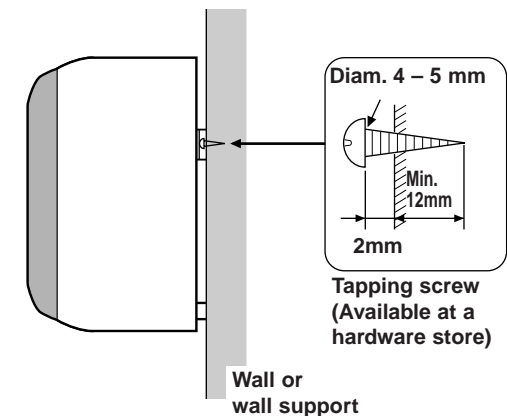
The speakers can be mounted on a wall by using the holes provided on the speakers' back panels.



Make sure that the screws are caught by a narrow part of the holes securely. Put the screws into a wall according to the figure shown below.



Fasten screws into a firm wall or wall support as shown in the figure below, and hang the holes on the protruding screws.



WARNING

- Each speaker weighs 2.2 kg (4 lbs. 13 oz.). Do not mount them on thin plywood or soft wall surface material, as the screws may come out of the flimsy surface, causing the speakers to fall down and be damaged, or result in personal injury.
- Do not fasten the speakers to wall with nails, adhesives, or other unsound hardware. Long term use and vibrations may cause them to fall down.
- To avoid accidents resulting from tripping over loose speaker cords, fix them to the wall.

CONNECTION TO YOUR AMPLIFIER

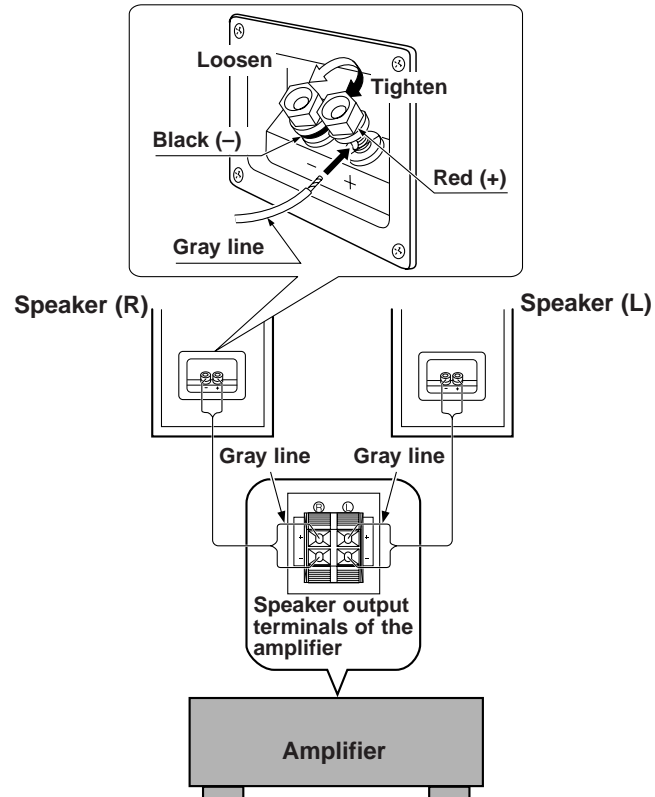
BEFORE MAKING CONNECTIONS, MAKE SURE THAT THE AMPLIFIER IS SWITCHED OFF.

■ CONNECTIONS

- Connect the screw-type input terminals at the rear of the speakers to the speaker output terminals of your amplifier with the provided speaker cords.
- One side of the speaker cord has a gray line. Connect the (+) terminals on both the amplifier and the speakers using the side of the cord with the gray line. Connect the (-) terminals on both components using the side without a gray line.
- Connect one speaker to the left (marked L) terminals of your amplifier, and another speaker to the right (marked R) terminals, making sure not to reverse the polarity (+, -). If one speaker is connected with reversed polarity, the sound will be unnatural and lack bass.

Procedures:

- ① Loosen the terminal knob.
- ② Insert the bare speaker wire end properly into the terminal hole. [Remove approx. 10 mm (3/8") insulation from the speaker cord.]
- ③ Tighten the knob.
- ④ Test the security of the connection by pulling lightly the cord at the terminal.



Note

Do not let the bare speaker wires touch each other as this could damage the speaker or the amplifier, or both of them.

SPECIFICATIONS

Type.....	2-way 2-speaker acoustic-suspension speaker system
Speaker Unit.....	10 cm cone woofer 2.2 cm dome tweeter
Input Terminal.....	Screw-type
Impedance.....	6 ohm
Frequency Response.....	80 Hz – 30 kHz
Nominal Input Power.....	50W
Maximum Input Power.....	150W
Sensitivity (2.83V, 1m).....	90 dB
Crossover Frequency.....	5 kHz
Dimensions (WxHxD).....	150 x 265 x 156.3 mm (5-7/8" x 10-7/16" x 6-3/16")
Weight.....	2.2 kg (4 lbs. 13 oz.)
Accessories.....	Speaker cords (10m) x 2

* Specifications subject to change without notice due to product improvements.

* Care should be taken not to exceed the input power values noted above.