

Clavinova

CLP-30
CLP-20

•
Owner's Manual
Bedienungsanleitung
Mode d'emploi
Manual de instrucciones

YAMAHA

IMPORTANT SAFETY AND INSTALLATION INSTRUCTIONS

INFORMATION RELATING TO POSSIBLE PERSONAL INJURY, ELECTRIC SHOCK, AND FIRE HAZARD POSSIBILITIES HAS BEEN INCLUDED IN THIS LIST.

WARNING—When using electronic products, basic precautions should always be followed, including the following:

1. Read all Safety and Installation Instructions, Supplemental Marking and Special Message Section data, and assembly instructions (where applicable) BEFORE using your Yamaha electronic product. Check unit weight specifications before you attempt to move this instrument!

2. Main Power Supply Verification: Your Yamaha electronic product has been manufactured specifically for the main supply voltage used in your area. If you should move, or if any doubt exists, please contact your dealer for instructions. The main supply voltage required by your electronic product is printed on the name plate. For name plate location, see graphic in Special Message Section.

3. This product may be equipped with a polarized line plug (one blade wider than the other). If you are unable to insert the plug into the outlet, contact an electrician to have your obsolete outlet replaced. Do NOT defeat the safety purpose of the plug. Yamaha products not having polarized plugs incorporate construction methods and designs that do not require line plug polarization.

4. **WARNING**—Do NOT place objects on your electronic product's power cord or place the unit in a position where anyone could trip over, walk over, or roll anything over cords of any kind. Do NOT allow your electronic product or its bench to rest on or be installed over cords of any type. Improper installations of this type create the possibility of a fire hazard and/or personal injury.

5. Environment: Your electronic product should be installed away from heat sources such as a radiator, heat registers and/or other products that produce heat. Additionally, the unit should not be located in a position that exposes the cabinet to direct sunlight, or air currents having high humidity or heat levels.

6. Your Yamaha electronic product should be placed so that its location or position does not interfere with its proper ventilation.

7. Some Yamaha electronic products may have benches that are either a part of the product or supplied as an optional accessory. Some of these benches are designed to be dealer assembled. Please make sure that the bench is stable before using it. The bench supplied by Yamaha was designed for seating only. No other uses are recommended.

8. Some Yamaha electronic products can be made to operate with or without the side panels or other components that constitute a stand. These products should be used only with the components supplied or a cart or stand that is recommended by the manufacturer.

9. Do not operate for a long period of time at a high volume level or at a level that is uncomfortable. If you experience any hearing loss or ringing in the ears, you should consult an audiologist.

10. Do not use your Yamaha electronic product near water or in wet environments. For example, near a swimming pool, spa, or in a wet basement.

11. Care should be taken so that objects do not fall, and liquids are not spilled, into the enclosure through openings.

12. Your Yamaha electronic product should be serviced by a qualified service person when:

- The power-supply cord or plug has been damaged: or
- Objects have fallen, or liquid has been spilled into the product: or
- The product has been exposed to rain: or
- The product does not operate, exhibits a marked change in performance: or
- The product has been dropped, or the enclosure of the product has been damaged.

13. When not in use, always turn your Yamaha electronic product "OFF". The power-supply cord of the product should be unplugged from the outlet when it is to be left unused for a long period of time. Notes: In this case, some units may lose some user programmed data. Factory programmed memories will not be affected.

14. Do not attempt to service the product beyond that described in the user-maintenance instructions. All other servicing should be referred to qualified service personnel.

15. Electromagnetic Interference (RFI). This series of Yamaha electronic products utilizes digital (high frequency pulse) technology that may adversely affect Radio/TV reception or the operation of other devices that utilize digital technology. Please read FCC Information (Page 16) for additional information.

**PLEASE KEEP THIS MANUAL
FOR FUTURE REFERENCE!**

Introduction

We would like to express our thanks for your purchase of the Yamaha Clavinova CLP-30 or CLP-20. These instruments have the following features.

- 8 vivid voices using FM (Frequency Modulation) Tone Generation.
- Expression which can be varied via the touch sensitive keys, similar to an acoustic piano. (CLP-20 has keys with lighter touch than CLP-30.)
- MIDI for increased versatility and enjoyment.

In order to get the most from these instruments, we advise you to read this manual while actually seated at the Clavinova.

Einleitung

Herzlichen Glückwunsch zum Kauf eines Yamaha Clavinova CLP-30 oder CLP-20. Diese Instrumente haben die folgenden Merkmale.

- 8 lebendige Stimmen mit FM- (Frequenzmodulation) Tonerzeugung.
- Musikalischer Ausdruck, der mit den druckempfindlichen Tasten, ähnlich wie beim Klavier, beeinflusst werden kann. (Das CLP-20 hat Tasten mit einem leichteren Anschlag als das CLP-30.)
- MIDI für mehr Vielseitigkeit und Spielfreude.

Um diese Instrumente voll ausnutzen zu können, raten wir an, diese Bedienungsanleitung zu lesen, während Sie schon am Clavinova sitzen.

Avant-propos

Avant tout, merci d'avoir porté votre choix sur le Clavinova CLP-30/CLP-20. Les caractéristiques de ces deux modèles sont les suivantes.

- 8 tonalités générées par système à modulation de fréquence (FM).
- Expression variable par l'action de touches sensibles comme on en trouve sur les pianos acoustiques. (Les touches du modèle CLP-20 sont plus sensibles que celles du modèle CLP-30.)
- Option MIDI diversifiant les choix d'applications et le plaisir de l'exécutant.

Pour obtenir de ces instruments le meilleur de leurs performances, prière de lire attentivement ce mode d'emploi en veillant à ne jamais séparer l'étude de la pratique.

Introducción

Muchas gracias por haber adquirido el Clavinova CLP-30 o CLP-20 Yamaha. Estos instrumentos poseen las características siguientes.

- 8 voces vívidas que emplean la generación de tonos de FM (modulación en frecuencia.)
- Expresión, que puede variarse mediante teclas sensibles al tacto, similar a la de un piano acústico. (El CLP-20 tiene teclas más sensibles al tacto que el CLP-30.)
- MIDI para aumentar la versatilidad y el placer musical.

Para sacar el mayor partido posible de estos instrumentos, le aconsejamos que lea este manual sentado ante su Clavinova.

Contents

Assembly Instruction for Keyboard Stand	2
Before Playing	4
To Start Playing	4
Effects and Controls	4
External Jacks	5
Taking Care of Your Clavinova	5
Important Advice	5
How to use MIDI	6
Specifications	16
FCC Information (USA)	16
MIDI Implementation Chart	17

Inhaltsverzeichnis

Aufbauanleitung des Tastaturständers	2
Vor dem Spielen	7
Beginn des Spielens	7
Effekte und Bedienungselemente	7
Ausgangsbuchsen	8
Pflege des Clavinova	8
Wichtiger Hinweis	8
Einsatz von MIDI	9
Technische Daten	16
MIDI-Anwendungstabelle	17

Sommaire

Assemblage du support de clavier	2
Avant la mise en service	10
Mise en service	10
Effets et commandes	10
Prises	11
Entretien du Clavinova	11
Consignes importantes	11
Utilisation de l'interface MIDI	12
Spécifications	16
Tableau de mise en exploitation MIDI	17

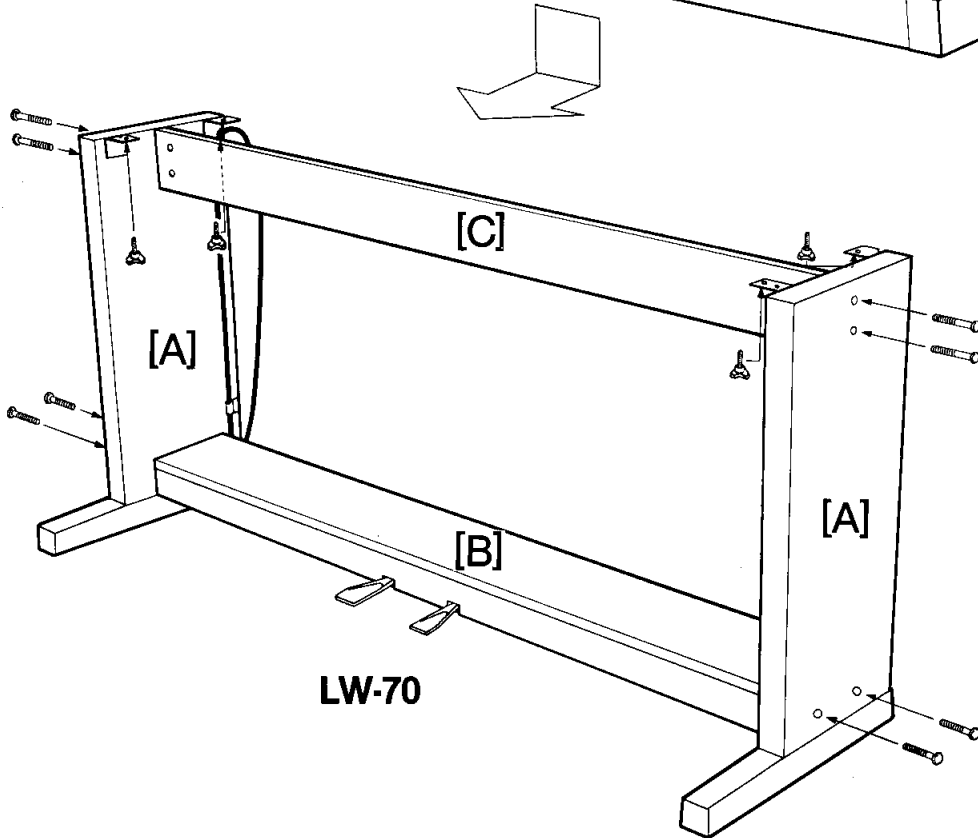
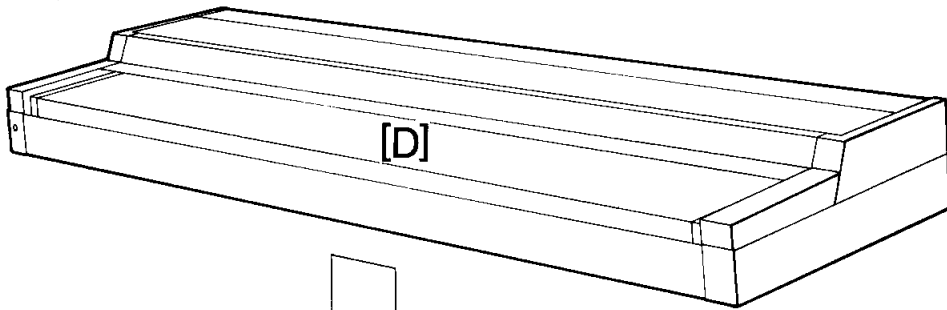
Índice

Instrucciones de montaje del soporte del teclado	2
Antes de comenzar a tocar	13
Para comenzar a tocar	13
Efectos y controles	13
Tomas externas	14
Cuidado de su Clavinova	14
Aviso importante	14
Empleo de MIDI	15
Especificaciones	16
Gráfica de implementación de MIDI	17

Assembly Instructions for Keyboard Stand
Aufbauanleitung des Tastaturständers
Assemblage du support de clavier
Instrucciones de montaje del soporte del teclado

**The keyboard stand (LW-70) is optional in some regions.
 *Der Tastaturständer (LW-70) ist in einigen Gebieten Sonderzubehör.
 *Dans certains pays, le support de clavier LW-70 est un accessoire disponible en option.
 El soporte del teclado (LW-70) es opcional para ciertas regiones.

CLP-30



- (1) Tighten the 4 screws (short) to attach parts [A] to part [B].
- (2) Tighten the 4 screws (long) to attach part [C] between parts [A].
- (3) Attach the keyboard [D] to the stand assembly and tighten the 4 knob screws.
- (4) Insert the grey plug into the DAMPER jack and the black plug into the SOFT jack.

*Located on the pedal assembly chassis you will find an adjustable glide. This glide, when properly adjusted, provides additional stability and reduces the possibility of the pedal assembly being pulled loose due to excessive pressure on the pedals.

- (1) Serrer les 4 vis (courtes) pour fixer les panneaux [A] au panneau [B].
- (2) Serrer les 4 vis (longues) pour fixer le panneau [C] entre les panneaux [A].
- (3) Mettre le clavier [D] en place sur le pied assemblé en serrant les 4 vis à tête ronde.
- (4) Insérer la fiche grise dans la prise DAMPER et la fiche noire, dans la prise SOFT.

*Sur le chassis d'assemblage des pédales, vous trouverez une coulisse ajustable. Lorsqu'elle est correctement réglée, cette coulisse assure une plus grande stabilité et élimine la possibilité que l'assemblage des pédales ne se détache, à cause de la pression excessive appliquée à celles-ci.

- (1) Ziehen Sie die vier Schrauben (kurz) an, um die Teile [A] an Teil [B] anzubringen.
- (2) Ziehen sie die vier Schrauben (lang) an, um Teil [C] zwischen den Teilen [A] anzubringen.
- (3) Bringen Sie die Tastatur [D] am Ständerbauteil an, und ziehen Sie die vier Knopfschrauben an.
- (4) Stecken Sie den grauen Stecker in die Buchse DAMPER und den schwarzen Stecker in die Buchse SOFT.

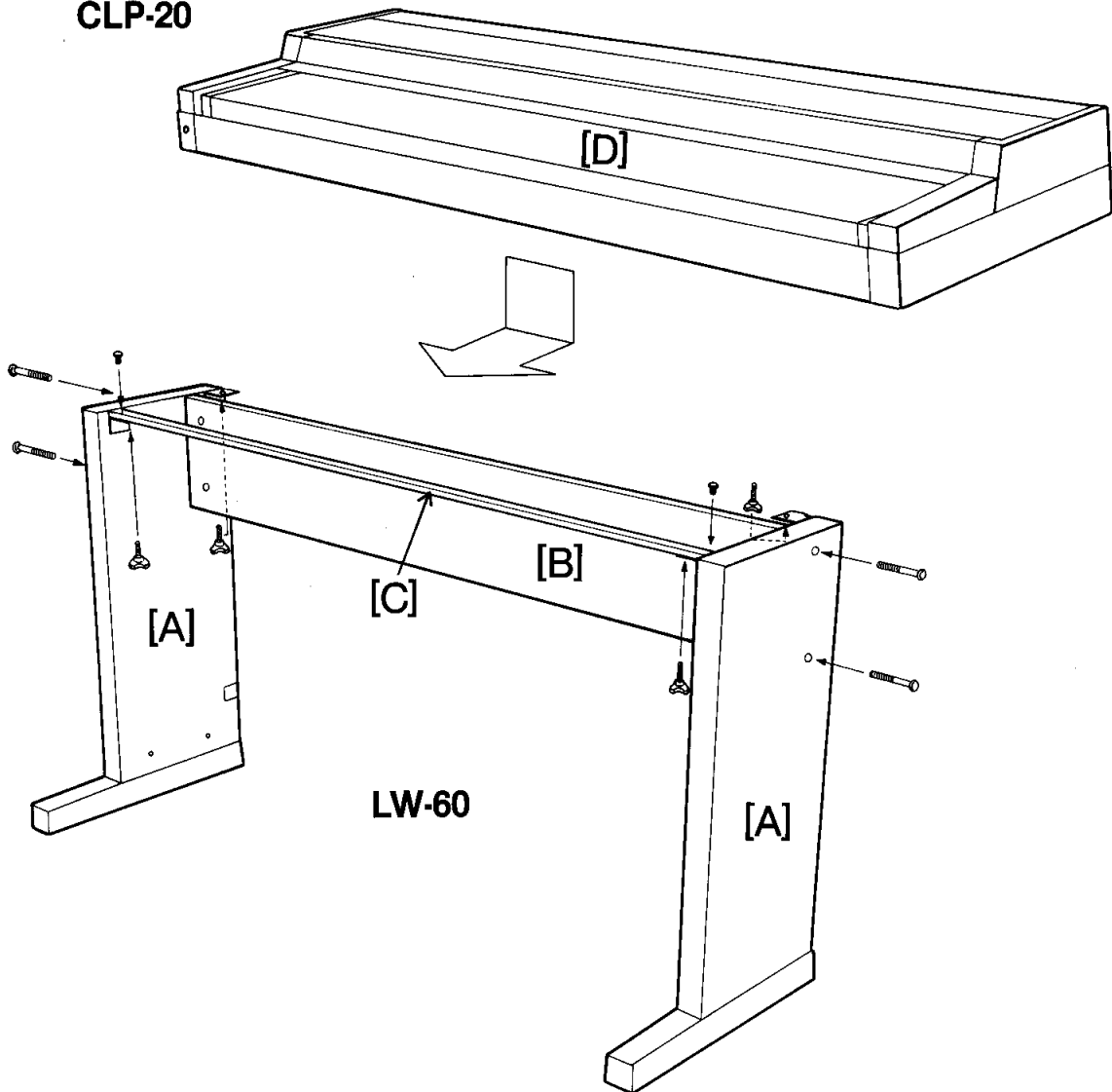
*Am Fußpedal-Bauteil finden Sie einen einstellbaren Schieber. Dieser Schieber, wenn richtig eingestellt, bietet zusätzliche Stabilität und verringert die Gefahr, daß der Pedalbauteil sich wegen zu starken Drucks auf die Pedale löst.

- (1) Apriete los 4 tornillos (cortos) para fijar las piezas [A] a la pieza [B].
- (2) Apriete los 4 tornillos (largos) para fijar la pieza [C] entre las piezas [A].
- (3) Fije el teclado [D] al conjunto del soporte y apriete los 4 tornillos de perilla.
- (4) Inserte le clavija gris en la toma DAMPER y la negra en SOFT.

*En el chasis del conjunto de pedales encontrará un deslizador ajustable. Este deslizador, si lo ajusta correctamente, proporcionará estabilidad adicional y reducirá la posibilidad de que se afloje el conjunto de pedales debido a la presión excesiva ejercida al pisarlos.

**The keyboard stand (LW-60) is optional in some regions.
 *Der Tastaturständer (LW-60) ist in einigen Gebieten Sonderzubehör.
 *Dans certains pays, le support de clavier LW-60 est un accessoire disponible en option.
 El soporte del teclado (LW-60) es opcional para ciertas regiones.

CLP-20



- (1) Tighten the 4 screws (long) to attach parts [A] to part [B].
- (2) Tighten the 2 screws (short) to attach part [C] between parts [A].
- (3) Attach the keyboard [D] to the stand assembly and tighten the 4 knob screws.

- (1) Serrer les 4 vis (longues) pour fixer les panneaux [A] au panneau [B].
- (2) Serrer les 2 vis (courtes) pour fixer le panneau [C] entre les panneaux [A].
- (3) Mettre le clavier [D] en place sur le pied assemblé et serrer les 4 vis à tête ronde.

- (1) Ziehen Sie die vier Schrauben (lang) an, um die Teile [A] an Teil [B] anzubringen.
- (2) Ziehen sie die vier Schrauben (kurz) an, um Teil [C] zwischen den Teilen [A] anzubringen.
- (3) Bringen Sie die Tastatur [D] am Ständerbauteil an, und ziehen Sie die vier Knopfschrauben an.

- (1) Apriete los 4 tornillos (largos) para fijar las piezas [A] a la pieza [B].
- (2) Apriete los 2 tornillos (cortos) para fijar la pieza [C] entre las piezas [A].
- (3) Fije el teclado [D] al conjunto del soporte y apriete los 4 tornillos de perilla.

BEFORE PLAYING

●Check for correct power voltage.

The main Power Voltage is indicated on the Name Plate on the back of the Clavinova. In some market areas, a voltage selector may be included. This will be located on the bottom of the Clavinova. Your Clavinova has been set for the voltage in your area. Consult a qualified technician if any doubt exists or a change is required.

●Attaching the music rest.

Insert the music rest into the 2 holes in the top board.

●Connecting the Pedals.

For the CLP-30, connect the two plugs coming from the pedal box of the keyboard stand to the DAMPER (grey plug) and SOFT (black plug) jacks on the rear panel. For the CLP-20, connect the plug for the Foot Pedal (FC-5) to the DAMPER jack.

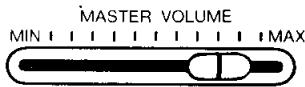
TO START PLAYING

First of all, make sure that the plug is firmly inserted in the wall power outlet, then:

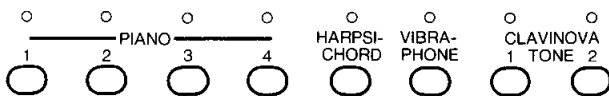
1. Turn the POWER on.



2. Adjust the MASTER VOLUME control.



3. Select the desired voice.



4. Start playing.

It is possible on the CLP-30 to play as many as 16 notes at the same time. On the CLP-20 it is possible to play as many as 8 notes at the same time.

●Initial Touch Control

Your Clavinova has the ability to respond to the touch you use while playing, making possible subtle variations in both tone and timbre. The amount of variation will differ from voice to voice.

*When you play the keyboard strongly, please adjust the volume to a suitable level.

EFFECTS AND CONTROLS

●STEREO SYMPHONIC

Pressing this button provides stereo sound with an expansive ambience.



●Damper

Pressing the Foot Pedal causes the sound to continue when the key is released, much like an acoustic piano. On the CLP-30, control of the damper is performed with the pedal on the right. On the CLP-20, damper control is performed with the Foot Pedal (FC-5).

●Soft (CLP-30 only)

Pressing the Foot Pedal on the left results in a softer, muted sound.

●TRANSPOSER

This feature allows you to change the key of the entire instrument in degrees of 1/2 steps.

To raise the key: Hold the TRANSPOSER button and press one of the keys between C[#]₆ and F₆.

To lower the key: Hold the TRANSPOSER button and press one of the keys between F[#]₅ and B₅.

When you wish to return to the normal key, hold the TRANSPOSER button and press the C₆ key. Also, when the power is turned off, the instrument will automatically be returned to the normal key.



●Pitch Control

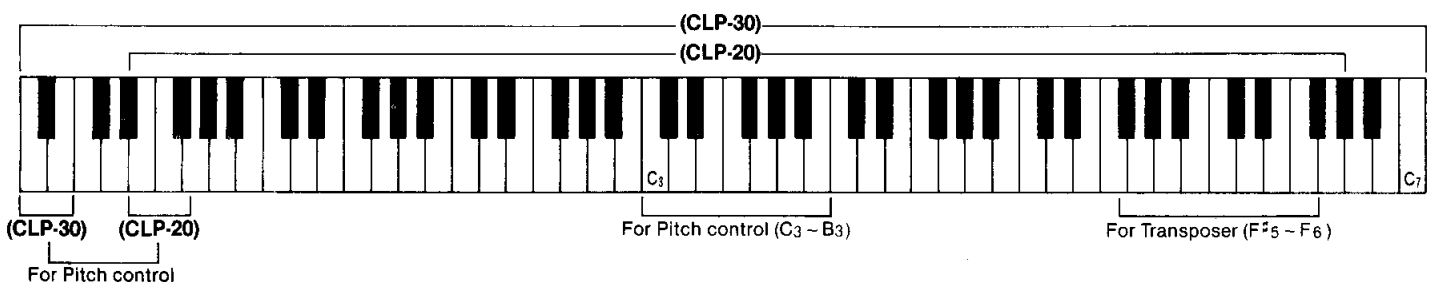
This feature allows you to fine tune the pitch of the whole instrument.

To raise the pitch: Hold the lowest and the second lowest white keys and repeatedly strike any of the keys between C₃ and B₃. The pitch will raise about 1.6 cents in CLP-20 and 1.2 cents in CLP-30 each time.

To lower the pitch: Hold the lowest white and black keys and repeatedly strike any of the keys between C₃ and B₃.

The pitch will lower about 1.6 cents in CLP-20 and 1.2 cents in CLP-30 each time.

When the power is turned off, the instrument will automatically be returned to normal pitch (A₃=440Hz).



ACCESSORY JACKS

●HEADPHONES jack

This jack is used for connecting a pair of stereo headphones (optional). When the headphones are connected, no sound will be produced from the Clavinova's speakers. This allows you the freedom of playing your instrument at any time without disturbing others. You can also use this jack for connecting monaural headphones.

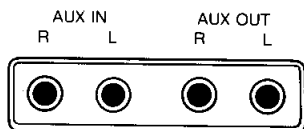


●AUX.OUT L-R jacks

These jacks can be used to connect your Clavinova to an amplifier or another speaker system. Also, by connecting the Clavinova to the LINE IN jacks of a tape deck, you can record music produced by the Clavinova.

●AUX.IN L-R jacks

You can use these jacks to play an external audio source (tape recorder, Portable Keyboard, etc.) through the Clavinova's speakers while you are performing. Simply plug a connector cord into these jacks and the LINE OUT/AUX.OUT jacks of your tape deck, stereo or additional keyboard. The external source must have its own volume level control. Never connect it to an AC power line or to a speaker-level output.

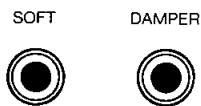


●DAMPER jack

This jack is for connecting the Foot Pedal (FC-5). When using the keyboard stand on the CLP-30, connect the grey plug coming from the pedal box.

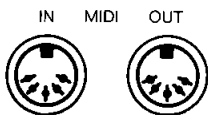
●SOFT Jack (CLP-30 only)

Connect the black plug coming from the pedal box or the Foot Switch Pedal (FC-5).



●MIDI OUT/IN connectors

The MIDI (Musical Instrument Digital Interface) terminals conform to the MIDI standard for digital electronic instruments. These jacks enable you to connect your Clavinova to a computer or other MIDI compatible electronic instruments for data communication.



TAKING CARE OF YOUR CLAVINOVA

Always treat your Clavinova with the same care you would give to any fine musical instrument. To ensure that your Clavinova always looks and sounds its best, we suggest the following procedures.

1. Do not repeatedly turn on and off in a short time. If this is done, the unit may not work properly.
2. Never touch the internal parts.
3. Always turn the power switch OFF after playing, and place the dust cover on the instrument.
4. Clean the cabinet and keys of your Clavinova with a slightly dampened cloth using only a neutral cleanser. Do not use abrasive cleaners, waxes, solvents, or chemical dust cloths which may dull the keys or chemically damage the finish.
5. Never put any vinyl products on your Clavinova since its external coating reacts chemically to vinyl.
6. To protect the cabinet finish and joints, install your Clavinova away from direct sunlight, excess humidity and heat.
7. Do not hit or scratch the cabinet with hard objects.

IMPORTANT ADVICE

What to do if...

1) The unit is not activated when the power is turned on. Check the following:

Is the AC plug fully connected to a wall power outlet? Check it again to make sure. Is power supplied from the outlet? If the outlet is live, but the Clavinova does not work, unplug the cord and contact your Yamaha Clavinova dealer.

2) The Clavinova reproduces radio or TV signals.

This can occur if there is a powerful transmitter such as a radio station located in your vicinity. Contact your Yamaha Clavinova dealer.

3) Occasional unpleasant static occurs.

In the majority of such cases, the cause can be traced to the turning on or off of some household appliance.

4) The Clavinova interferes with radio or TV reception.

The high frequency pulses used by the Clavinova may adversely affect TV or radio reception. Please read "FCC INFORMATION" (page 16) for additional information.

5) The sound of the Clavinova is distorted when connected to an auxiliary speaker system.

When connected to an auxiliary speaker system, (home stereo, guitar amplifier, etc.) distortion may occur when the keys are played forcefully while either the volume of the Clavinova or its auxiliary system is too high. In addition damage to the speakers could result. Please turn the volume down to a level where no distortion occurs.

HOW TO USE MIDI

The MIDI Function of Clavinova CLP-30, CLP-20

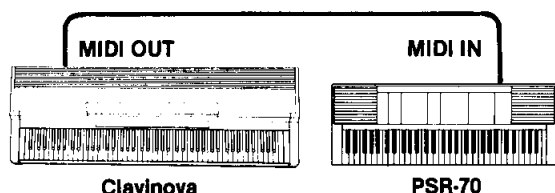
What MIDI can do:

- Transmission/recognition of key on/off data.
- Transmission/recognition of panel voice numbers.
- Transmission/recognition of control for Damper (both models) and Soft (CLP-30 only).

Clavinova Connection With Other MIDI Instruments

In the following section you will see how you can actually connect your Clavinova with other MIDI instruments.

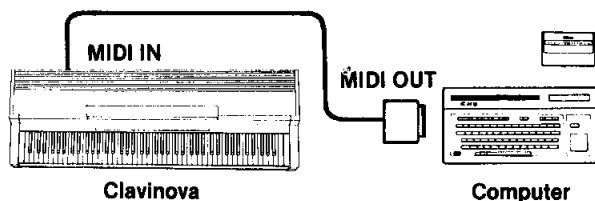
Playing the Clavinova in ensemble with other keyboards (Example: connected with the Portatone PSR-70)



As shown in the diagram above, when the MIDI OUT on the Clavinova is connected to the MIDI IN on the PSR-70, it is possible to produce sound from the PSR-70 while playing just the Clavinova. In other words, the information produced by pressing the Clavinova keyboard is instantaneously transmitted to the PSR-70, producing a richer sound. It is also possible to utilize different voices on each instrument. For example, it is possible to combine a piano voice on the Clavinova with the strings voice on the PSR-70 so that a solo performer can give a performance similar to a piano concerto. This is just one of the many possible combinations. You can also connect the MIDI OUT terminal of the PSR-70 to the MIDI IN terminal of the Clavinova and play from the PSR-70 keyboard.

Playing the Clavinova With a Computer

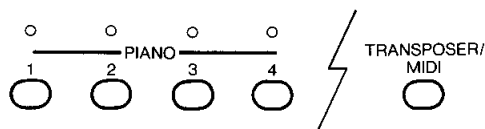
You can get further pleasure from your Clavinova by playing it with a personal computer instead of playing the keys yourself. Whether you use a music software package or program your own software, the Clavinova can be played automatically. In this case, the voices can be freely selected on the control panel to match the mood of the music.



Controlling the MIDI Function

A) With the Power on

- The receiving channel is set to CH 1. However, any channel can be received with OMNI ON. (When the power is turned on, it is automatically set to OMNI ON.)
- Program change is acceptable. (Condition for sending and receiving voice number.)
- The Control Change is the state for sending and receiving control signals for the Damper (both models) and Soft (CLP-30 only).



B) Setting transmission channel number :

While pressing the TRANSPOSER/MIDI button, press one of the keys between C₁ and D₂ to set the channel number (see chart below).

C) Switching to OMNI OFF and setting reception channel:

While pressing the TRANSPOSER/MIDI button, press the PIANO 1 button and switch to OMNI OFF. If the button is pressed again, it will be turned ON. Next, while pressing the TRANSPOSER/MIDI button, press one of the keys between C₃ and D₄ to set the channel number (see chart below).

D) Switching to Local OFF:

While pressing the TRANSPOSER/MIDI button, press the PIANO 2 button. If the button is pressed again, it will be turned ON.

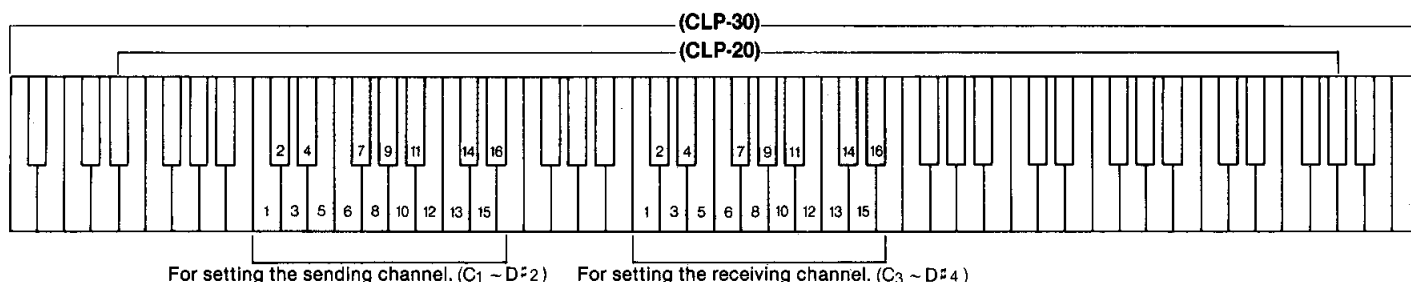
E) Cancelling Program Change (To cancel the transmission of the information to change the voice):

While pressing the TRANSPOSER/MIDI button, press the PIANO 3 button. If the button is pressed again, it will be activated.

F) Cancelling Control Change (To cancel the transmission of the information to control the Damper and Soft pedals):

While pressing the TRANSPOSER/MIDI button, press the PIANO 4 button. If the button is pressed again, it will be activated.

IMPORTANT NOTICE: MIDI instruments and equipment have slightly differing specifications. Refer to the respective MIDI Implementation Charts to determine what is and what is not possible. The MIDI Implementation Chart for your Clavinova is on the final page of this manual.



Specifications

Technische Daten

Spécifications

Especificaciones

*Specifications subject to change without notice.
 *Änderungen ohne Vorankündigung vorbehalten.
 *Sous toute réserve de modification des caractéristiques sans préavis.
 *Especificaciones sujetas a cambio sin previo aviso.

	CLP-30	CLP-20
KEYBOARD	88 KEYS (A ₋₁ - C ₇)	76 KEYS (E ₀ - G ₆)
VOICE SELECTORS	PIANO 1•2•3•4, HARPSICORD, VIBRAPHONE, CLAVINOVA TONE 1•2	
EFFECT	STEREO SYMPHONIC	
PEDAL CONTROL	DAMPER, SOFT	DAMPER
OTHER CONTROLS	MASTER VOLUME, TRANSPOSER (ONE OCTAVE)/MIDI, PITCH, POWER SWITCH	
JACKS•CONNECTORS	HEADPHONES, AUX.OUT L-R, AUX. IN L-R, DAMPER, SOFT, MIDI IN-OUT	HEADPHONES, AUX.OUT L-R, AUX.IN L-R, DAMPER, MIDI IN-OUT
MAIN AMPLIFIERS	10 W × 2	5 W × 2
SPEAKERS	12 cm (4 ³ / ₄ ") × 2	
CIRCUITRY	Solid State (incl. LSIs and ICs), Power Source: 50/60Hz AC, Power Consumption: See the nameplate	
DIMENSIONS	Width : 137.4 cm (54 ¹ / ₅ ") Depth : 46.8 cm (18 ² / ₅ ") Height : 78.5 cm (31") (with stand) : 15.2 cm (6") (without stand)	Width : 120.9 cm (47 ² / ₃ ") Depth : 46.8 cm (18 ² / ₅ ") Height : 78.5 cm (31") (with stand) : 15.2 cm (6") (without stand)
WEIGHT	53 kg (116.8 lbs.) (with stand) 35 kg (77.2 lbs.) (without stand)	33 kg (72.8 lbs.) (with stand) 22 kg (48.5 lbs.) (without stand)

FCC INFORMATION (USA)

While the following statements are provided to comply with FCC Regulations in the United States, the corrective measures listed are applicable worldwide.

The digital series of Yamaha Clavinova use frequencies that appear in the radio frequency range, and if installed in the immediate proximity of some types of audio or video devices within three meters (approximately ten feet), interference may occur.

This series of Yamaha Clavinova has been type-tested and found to comply with the specifications set for a class B computer in accordance with those specifications listed in sub-part J, part 15 of the FCC rules. These rules are designed to provide a reasonable measure of protection against such interference. However, this does not guarantee that interference will not occur.

If your Clavinova should be suspected of causing interference with other electronic devices, verification can be made by turning your Clavinova off and on. If the interference continues when your Clavinova is off, the Clavinova is not the source of the interference. If your Clavinova does appear to be the source of the interference, you should try to correct the situation by using one or more of the following measures:

- Relocate either the Clavinova or the electronic device that is being affected by the interference.
- Utilize power outlets for the Clavinova and the device being affected that are on different branch (circuit breaker or fuse) circuits, or install a/c line filters.
- In the case of radio-TV interference, relocate the antenna or if the antenna lead-in is 300 ohm ribbon lead, change the lead-in to coaxial type cable.

If these corrective measures do not produce satisfactory results, please contact an authorized Yamaha dealer for suggestions and/or corrective measures. If you can not locate an authorized Yamaha dealer in your general area, please contact the Service Division, Yamaha International, 6600 Orangethorpe Ave., Buena Park, CA 90620, U.S.A.

If for any reason, you should need additional information relating to radio or TV interference, you may find a booklet prepared by the Federal Communications Commission helpful: "How to Identify and Resolve radio-TV Interference Problems." This booklet, Stock #004-000-00345-4, is available from the U.S. Government Printing Office, Washington D.C. 20402.

Clavinova CLP-30/CLP-20 MIDI Implementation Chart

Date: 9/8, 1985

Version: 1.0

Function		Transmitted	Recognized	Remarks
Basic Channel	Default Changes	1 Channel ○	1 Channel ○	
Mode	Default Messages Altered	Mode 3 × *****	Mode 1 Omni, Poly/Mono ×	
Note Number	True Voice	*21 ~ 108 **28 ~ 103 *****	*21 ~ 108 **28 ~ 103 *21 ~ 108 **28 ~ 103	
Velocity	Note ON Note OFF	○ 90H, v=1 ~ 127 × 90H, v=0	○ v=1 ~ 127 ×	
After Touch	Key's Ch's	× ×	× ×	
Pitch Bender		×	×	
Control Change	64 67	○ ○	○ ○	Damper Pedal *Soft Pedal
Program Change	True #	0~7 *****	0~127 0~7	
System Exclusive		×	○	
System Common	Song Pos Song Sel Tune	× × ×	× × ×	
System Real Time	Clock Commands	× ×	× ×	
Aux Messages	Local ON/OFF All Notes OFF Active Sense Reset	× × ○ ×	○ ○ ○ ○	
Notes		* CLP-30 ** CLP-20		

Mode 1: OMNI ON, POLY
Mode 3: OMNI OFF, POLY

Mode 2: OMNI ON, MONO
Mode 4: OMNI OFF, MONO

○: Yes
×: No

SINCE 1887  **YAMAHA**
NIPPON GAKKI CO., LTD. HAMAMATSU, JAPAN