

# Clavinova®

CLP-370 / 340 / 330

CLP-S308 / S306

OWNER'S MANUAL

BEDIENUNGSANLEITUNG

MODE D'EMPLOI

MANUAL DE INSTRUCCIONES

ENGLISH

DEUTSCH

FRANÇAIS

ESPAÑOL

EN  
DE  
FR  
ES

## IMPORTANT

—Check your power supply—

Make sure that your local AC mains voltage matches the voltage specified on the name plate on the bottom panel. In some areas a voltage selector may be provided on the bottom panel of the main keyboard unit near the power cord. Make sure that the voltage selector is set for the voltage in your area. The voltage selector is set at 240V when the unit is initially shipped. To change the setting use a "minus" screwdriver to rotate the selector dial so that the correct voltage appears next to the pointer on the panel.

For information on assembling the keyboard stand, refer to the instructions at the end of this manual.

## WICHTIG

—Überprüfen Sie Ihren Netzanschluss—

Vergewissern Sie sich, dass die Spannung in Ihrem örtlichen Stromnetz mit der Spannung übereinstimmt, die auf dem Typenschild auf der Unterseite des Instruments angegeben ist. In bestimmten Regionen ist auf der Unterseite des Keyboards in der Nähe des Netzkabels ein Spannungswähler angebracht. Vergewissern Sie sich, dass der Spannungswähler auf die Spannung Ihres lokalen Stromnetzes eingestellt ist. Dieser Spannungswähler ist bei Auslieferung auf 240 V eingestellt. Sie können die Einstellung mit einem Schlitzschraubenzieher ändern. Drehen Sie dazu den Wählschalter, bis der Pfeil auf dem Instrument auf die richtige Spannung zeigt.

Weitere Informationen über die Montage des Keyboard-Ständers erhalten Sie in den Anweisungen am Ende dieses Handbuchs.

## IMPORTANT

—Contrôler la source d'alimentation—

Vérifiez que la tension spécifiée sur le panneau inférieur correspond à la tension du secteur. Dans certaines régions, l'instrument peut être équipé d'un sélecteur de tension situé sur le panneau inférieur du clavier à proximité du cordon d'alimentation.

Vérifiez que ce sélecteur est bien réglé en fonction de la tension secteur de votre région. Le sélecteur de tension est réglé sur 240 V au départ d'usine. Pour modifier ce réglage, utilisez un tournevis à lame plate pour tourner le sélecteur afin de mettre l'indication correspondant à la tension de votre région vis à vis du repère triangulaire situé sur le panneau.

Pour obtenir des informations sur l'assemblage du support du clavier, reportez-vous aux instructions à la fin de ce manuel.

## IMPORTANTE

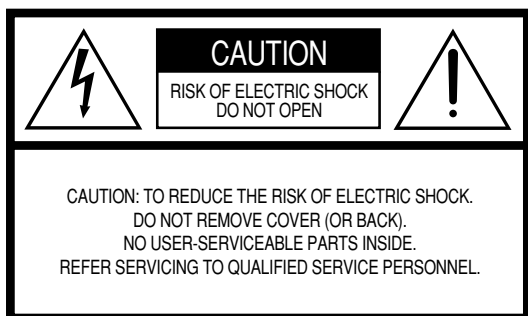
—Verifique la alimentación de corriente—

Asegúrese de que tensión de alimentación de CA de su área corresponde con la tensión especificada en la placa de características del panel inferior. En algunas zonas puede haberse incorporado un selector de tensión en el panel inferior de la unidad del teclado principal, cerca del cable de alimentación. Asegúrese de que el selector de tensión esté ajustado a la tensión de su área. El selector de tensión se ajusta a 240V cuando la unidad sale de fábrica. Para cambiar el ajuste, emplee un destornillador de cabeza "recta" para girar el selector de modo que aparezca la tensión correcta al lado del indicador del panel.

Para información sobre el montaje del soporte del teclado, consulte las instrucciones al final de este manual.

# SPECIAL MESSAGE SECTION

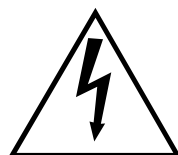
**PRODUCT SAFETY MARKINGS:** Yamaha electronic products may have either labels similar to the graphics shown below or molded/stamped facsimiles of these graphics on the enclosure. The explanation of these graphics appears on this page. Please observe all cautions indicated on this page and those indicated in the safety instruction section.



See bottom of Keyboard enclosure for graphic symbol markings.



The exclamation point within the equilateral triangle is intended to alert the user to the presence of important operating and maintenance (servicing) instructions in the literature accompanying the product.



The lightning flash with arrowhead symbol, within the equilateral triangle, is intended to alert the user to the presence of uninsulated “dangerous voltage” within the product’s enclosure that may be of sufficient magnitude to constitute a risk of electrical shock.

**IMPORTANT NOTICE:** All Yamaha electronic products are tested and approved by an independent safety testing laboratory in order that you may be sure that when it is properly installed and used in its normal and customary manner, all foreseeable risks have been eliminated. DO NOT modify this unit or commission others to do so unless specifically authorized by Yamaha. Product performance and/or safety standards may be diminished. Claims filed under the expressed warranty may be denied if the unit is/has been modified. Implied warranties may also be affected.

**SPECIFICATIONS SUBJECT TO CHANGE:** The information contained in this manual is believed to be correct at the time of printing. However, Yamaha reserves the right to change or modify any of the specifications without notice or obligation to update existing units.

**ENVIRONMENTAL ISSUES:** Yamaha strives to produce products that are both user safe and environmentally friendly. We sincerely believe that our products and the production methods used to produce them, meet these goals. In keeping with both the letter and the spirit of the law, we want you to be aware of the following:

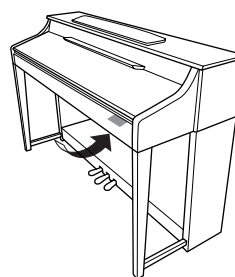
**Battery Notice:** This product MAY contain a small non-rechargeable battery which (if applicable) is soldered in place. The average life span of this type of battery is approximately five years. When replacement becomes necessary, contact a qualified service representative to perform the replacement.

**Warning:** Do not attempt to recharge, disassemble, or incinerate this type of battery. Keep all batteries away from children. Dispose of used batteries promptly and as regulated by applicable laws. Note: In some areas, the servicer is required by law to return the defective parts. However, you do have the option of having the servicer dispose of these parts for you.

**Disposal Notice:** Should this product become damaged beyond repair, or for some reason its useful life is considered to be at an end, please observe all local, state, and federal regulations that relate to the disposal of products that contain lead, batteries, plastics, etc.

**NOTICE:** Service charges incurred due to lack of knowledge relating to how a function or effect works (when the unit is operating as designed) are not covered by the manufacturer’s warranty, and are therefore the owners responsibility. Please study this manual carefully and consult your dealer before requesting service.

**NAME PLATE LOCATION:** The graphic below indicates the location of the name plate. The model number, serial number, power requirements, etc., are located on this plate. You should record the model number, serial number, and the date of purchase in the spaces provided below and retain this manual as a permanent record of your purchase.



**CLP-370/340/330, CLP-S308/S306**

**Model** \_\_\_\_\_

**Serial No.** \_\_\_\_\_

**Purchase Date** \_\_\_\_\_

Thank you for purchasing the Yamaha Clavinova! We recommend that you read this manual carefully so that you can fully take advantage of the advanced and convenient functions of the Clavinova.  
We also recommend that you keep this manual in a safe and handy place for future reference.

# About this Owner's Manual and Data List

The documentation and reference materials for this instrument consist of the following:

## Owner's Manual (this book)

### ■ Introduction (page 2):

Please read this section first.

### ■ Reference (page 16):

This section explains how to make detailed settings for the Clavinova's various functions.

### ■ Appendix (page 98):

This section introduces reference material.

## Data List

You can download various MIDI-related reference materials, such as the MIDI Data Format and MIDI Implementation Chart, from the Yamaha Manual Library.

Connect to the Internet, visit the following website, type the model name of your instrument (such as "CLP-370") in the Model Name text box, then click the Search button.

Yamaha Manual Library

<http://www.yamaha.co.jp/manual/>

- \* The models CLP-370/340/330, CLP-S308/S306 will be referred to as the CLP/Clavinova in this owner's manual.
- \* The illustrations and LED displays shown in this owner's manual are for instructional purposes only and may appear somewhat different from those on your instrument.
- \* The panel illustrations shown in this owner's manual are taken from the CLP-370.
- \* Copying of the commercially available musical data including but not limited to MIDI data and/or audio data is strictly prohibited except for your personal use.

**AVE-TCP™** (CLP-370/340, CLP-S308/S306) AVE-TCP™, a TCP/IP protocol stack by ACCESS Co., Ltd., is installed in this product.  
Copyright © 1997-2008 ACCESS CO., LTD.

**AVE™-SSL** (CLP-370/340, CLP-S308/S306) AVE™-SSL, an encryption module technology by ACCESS Co., Ltd., is installed in this product.  
Copyright © 1997-2008 ACCESS CO., LTD.

**ACCESS™**

### COPYRIGHT NOTICE

This product incorporates and bundles computer programs and contents in which Yamaha owns copyrights or with respect to which it has license to use others' copyrights. Such copyrighted materials include, without limitation, all computer software, style files, MIDI files, WAVE data, musical scores and sound recordings. Any unauthorized use of such programs and contents outside of personal use is not permitted under relevant laws. Any violation of copyright has legal consequences. DON'T MAKE, DISTRIBUTE OR USE ILLEGAL COPIES.

### Trademarks:

- Windows is a registered trademark of Microsoft® Corporation in the United States and other countries.
- SmartMedia is a trademark of Toshiba Corporation.
- All other trademarks are the property of their respective holders.

# PRECAUTIONS

## PLEASE READ CAREFULLY BEFORE PROCEEDING

\* Please keep this manual in a safe place for future reference.



### WARNING

Always follow the basic precautions listed below to avoid the possibility of serious injury or even death from electrical shock, short-circuiting, damages, fire or other hazards. These precautions include, but are not limited to, the following:

#### Power supply/Power cord

- Only use the voltage specified as correct for the instrument. The required voltage is printed on the name plate of the instrument.
- Check the electric plug periodically and remove any dirt or dust which may have accumulated on it.
- Use only the supplied power cord/plug.
- Do not place the power cord near heat sources such as heaters or radiators, and do not excessively bend or otherwise damage the cord, place heavy objects on it, or place it in a position where anyone could walk on, trip over, or roll anything over it.

#### Do not open

- Do not open the instrument or attempt to disassemble the internal parts or modify them in any way. The instrument contains no user-serviceable parts. If it should appear to be malfunctioning, discontinue use immediately and have it inspected by qualified Yamaha service personnel.

#### Water warning

- Do not expose the instrument to rain, use it near water or in damp or wet conditions, or place containers on it containing liquids which might spill into any openings. If any liquid such as water seeps into the instrument, turn off the power immediately and unplug the power cord from the AC outlet. Then have the instrument inspected by qualified Yamaha service personnel.
- Never insert or remove an electric plug with wet hands.

#### Fire warning

- Do not put burning items, such as candles, on the unit.  
A burning item may fall over and cause a fire.

#### If you notice any abnormality

- If the power cord or plug becomes frayed or damaged, or if there is a sudden loss of sound during use of the instrument, or if any unusual smells or smoke should appear to be caused by it, immediately turn off the power switch, disconnect the electric plug from the outlet, and have the instrument inspected by qualified Yamaha service personnel.



### CAUTION

Always follow the basic precautions listed below to avoid the possibility of physical injury to you or others, or damage to the instrument or other property. These precautions include, but are not limited to, the following:

#### Power supply/Power cord

- When removing the electric plug from the instrument or an outlet, always hold the plug itself and not the cord. Pulling by the cord can damage it.
- Remove the electric plug from the outlet when the instrument is not to be used for extended periods of time, or during electrical storms.
- Do not connect the instrument to an electrical outlet using a multiple-connector. Doing so can result in lower sound quality, or possibly cause overheating in the outlet.

#### Assembly

- Read carefully the attached documentation explaining the assembly process. Failure to assemble the instrument in the proper sequence might result in damage to the instrument or even injury.

#### Location

- Do not expose the instrument to excessive dust or vibrations, or extreme cold or heat (such as in direct sunlight, near a heater, or in a car during the day) to prevent the possibility of panel disfiguration or damage to the internal components.
- Do not use the instrument in the vicinity of a TV, radio, stereo equipment, mobile phone, or other electric devices. Otherwise, the instrument, TV, or radio may generate noise.
- Do not place the instrument in an unstable position where it might accidentally fall over.
- Before moving the instrument, remove all connected cables.
- When setting up the product, make sure that the AC outlet you are using is easily accessible. If some trouble or malfunction occurs, immediately turn off the power switch and disconnect the plug from the outlet. Even when the power switch is turned off, electricity is still flowing to the product at the minimum level. When you are not using the product for a long time, make sure to unplug the power cord from the wall AC outlet.
- Do not place the instrument against a wall (allow at least 3 cm/one-inch from the wall), since this can cause inadequate air circulation, and possibly result in the instrument overheating.

## Connections

- Before connecting the instrument to other electronic components, turn off the power for all components. Before turning the power on or off for all components, set all volume levels to minimum. Also, be sure to set the volumes of all components at their minimum levels and gradually raise the volume controls while playing the instrument to set the desired listening level.

## Maintenance

- (For polish-finished model) Gently remove dust and dirt with a soft cloth. Do not wipe too hard since small particles of dirt can scratch the instrument's finish.
- When cleaning the instrument, use a soft, dry or slightly damp cloth. Do not use paint thinners, solvents, cleaning fluids, or chemical-impregnated wiping cloths.

## Handling caution

- Take care that the key cover does not pinch your fingers, and do not insert a finger or hand in any gaps on the key cover or instrument.
- Never insert or drop paper, metallic, or other objects into the gaps on the key cover, panel or keyboard. If this happens, turn off the power immediately and unplug the power cord from the AC outlet. Then have the instrument inspected by qualified Yamaha service personnel.
- Do not place vinyl, plastic or rubber objects on the instrument, since this might discolor the panel or keyboard.
- (For polish-finished model) Bumping the surface of the instrument with metal, porcelain, or other hard objects can cause the finish to crack or peel. Use caution.

- Do not rest your weight on, or place heavy objects on the instrument, and do not use excessive force on the buttons, switches or connectors.
- Do not use the instrument/device or headphones for a long period of time at a high or uncomfortable volume level, since this can cause permanent hearing loss. If you experience any hearing loss or ringing in the ears, consult a physician.

## Using the bench (If included)

- Do not place the bench in an unstable position where it might accidentally fall over.
- Do not play carelessly with or stand on the bench. Using it as a tool or step-ladder or for any other purpose might result in accident or injury.
- Only one person should sit on the bench at a time, in order to prevent the possibility of accident or injury.
- Do not attempt to adjust the bench height while sitting on the bench, since this can cause excessive force to be imposed on the adjustment mechanism, possibly resulting in damage to the mechanism or even injury.
- If the bench screws become loose due to extensive long-term use, tighten them periodically using the included tool.

## Saving data

### Saving and backing up your data

- Data in the instrument's internal memory can be lost due to operational errors or malfunction. Be sure to save any important data to external media via a computer connected to the instrument. (page 78)

### Backing up the USB Storage device

- To protect against data loss through media damage, we recommend that you save your important data onto two USB storage devices.

Yamaha cannot be held responsible for damage caused by improper use or modifications to the instrument, or data that is lost or destroyed.

Always turn the power off when the instrument is not in use.

Even when the power is turned off, electricity is still flowing to the instrument at the minimum level. When you are not using the instrument for a long time, make sure you unplug the power cord from the wall AC outlet.

# Accessories

---

- “50 greats for the Piano” (Music Book)
- Owner’s Manual  
This manual contains complete instructions for operating your Clavinova.
- Accessory CD-ROM for Windows
- Accessory CD-ROM for Windows Installation Guide
- Bench  
A bench may be included or optional, depending on your locale.
- My Yamaha Product User Registration  
The PRODUCT ID on the sheet will be needed when you fill out the User Registration form.

## ■ Tuning

Unlike an acoustic piano, the Clavinova does not need to be tuned. It always stays perfectly in tune.

## ■ Transporting

If you move to another location, you can transport the Clavinova along with your other belongings. You can move the unit as it is (assembled) or you can disassemble the unit.

Transport the keyboard horizontally. Do not lean it up against a wall or stand it up on its side. Do not subject the instrument to excessive vibration or shock.

### **CAUTION**

(CLP-S308/S306) Cover the entire keyboard with the protective sheet (page 87) packaged with the instrument before closing the key cover. The sheet will protect the keyboard from being scratched when the instrument is transported.

## Features

### **Highly evolved touch and expression: Graded Hammer 3 (GH3) keyboard (CLP-330) and Graded Hammer 3 (GH3) keyboard with artificial ivory top (CLP-340, CLP-S306)**

The Graded Hammer keyboard features natural grand-piano type key weights (heavier in the low range and lighter in the higher range) providing a pleasant playability that is unmatched by conventional electronic pianos.

The Graded Hammer keyboard also offers superb playability for legato (without pedal operation) and repetitive-striking techniques, as with a grand piano. The CLP-340 and CLP-S306 feature an “artificial ivory” keyboard top, which simulates the moderate hygroscopic characteristics of real ivory and offers a less slippery surface, smooth key movement, and a warm and inviting color.

### **Ultimate natural playability: Natural Wood (NW) keyboard with artificial ivory top (CLP-370, CLP-S308)**

In addition to the features offered by the GH3 keyboard with artificial ivory top model, the NW keyboard uses natural wood for the inside of the white keys, as seen on an acoustic piano. This feature provides a heavier weighted touch that surpasses that of conventional electronic pianos and is closer in feel to a grand piano.

### **Digital recording of a full-size concert grand piano sound (via AMW Dynamics Stereo Sampling)**

This digital piano offers a rich and versatile range of sounds, which are created using Yamaha's proprietary sampling tone-generation system, “AWM Dynamic Stereo Sampling.”

AWM (Advanced Wave Memory) is a sampling system that creates sounds close to those of an acoustic instrument by digitally recording the sounds of an instrument and applying high-quality digital filtering technology to the recorded audio samples.

The sound waveform created by an acoustic piano differs depending on the player's strength of touch, from pianissimo to fortissimo.

AWM Dynamic Stereo Sampling can create extremely dynamic nuances by recording samples at various playing strengths. The greater the number of samples used, the greater the resulting expressiveness of the instrument.

The piano voice “Grand Piano 1” features a totally new sample recorded from a full-size concert grand piano. Each note in the sample has been adjusted meticulously so that the digital piano will play only the very best piano sounds.

The piano voices are well-separated sounds featuring a fast attack and a satisfying response.

The “Grand Piano 1” voice features multiple wave samples for different velocities (Dynamic Sampling). That is, different samples are used depending on how fast or strong the player strikes the keys. Therefore, this voice expresses detailed dynamics and sounds much closer to those of a true acoustic piano.

The CLP-370/340 creates a rich, luxurious sound using “Sustain Sampling,” which is a sample of the soundboard and the resonance of the strings when the damper pedal is pressed. The instrument also features “Key-off Sampling,” which is a sample of the very delicate noises that are caused when keys are released.

### **Internet Direct Connection function (CLP-370/340, CLP-S308/S306)**

You can connect these digital piano models to the Internet, enabling you to access and enjoy a broad range of song data files that are available on a dedicated website.

# Table of Contents

## Introduction

|  |           |
|--|-----------|
| <b>About this Owner's Manual and Data List</b> ..... | <b>3</b>  |
| <b>Accessories</b> .....                             | <b>6</b>  |
| <b>Panel Controls and Terminals</b> .....            | <b>10</b> |
| <b>Before Using the Clavinova</b> .....              | <b>12</b> |
| Key Cover .....                                      | 12        |
| Music Rest .....                                     | 13        |
| Music Braces (CLP-370/340) .....                     | 14        |
| Turning the Power On .....                           | 14        |
| Setting the Volume .....                             | 15        |
| Using Headphones.....                                | 15        |
| Using the Speaker Switch .....                       | 15        |
| <b>Listening to the Demonstration Tunes</b> .....    | <b>16</b> |

## Reference

|   |           |
|---|-----------|
| <b>Listening to 50 Piano Preset Songs</b> .....   | <b>17</b> |
| Practicing a One-Hand Part Using the 50 Preset Songs (Part Cancel Function) .....                                 | 18        |
| A-B Repeat for 50 Preset Songs.....   | 19        |
| <b>Selecting &amp; Playing Voices</b> .....   | <b>20</b> |
| Selecting Voices.....   | 20        |
| Using the Pedals.....   | 21        |
| Adding Variations to the Sound — [VARIATION] (CLP-370/340)/[BRILLIANCE]/[REVERB]/<br>[EFFECT]/[DAMPER RES.] ..... | 22        |
| Touch Sensitivity — [TOUCH].....  | 24        |
| Transposition — [TRANSCOPE] .....   | 25        |
| Combining Two Voices (Dual mode) .....  | 26        |
| Splitting the Keyboard Range and Playing Two Different Voices (Split mode) (CLP-370/340) .....                    | 27        |
| Using the Metronome .....   | 29        |
| <b>Recording Your Performance</b> .....   | <b>30</b> |
| Recording a performance quickly.....  | 30        |
| Playing back a recorded song.....   | 32        |
| Re-recording a previously recorded song.....  | 32        |
| Recording to RIGHT/LEFT parts .....   | 33        |
| Changing the Initial Settings (Data recorded at the beginning of a song) .....                                    | 35        |
| <b>Handling Songs with a USB Storage Device</b> .....   | <b>36</b> |
| About Save and Load.....  | 36        |
| Saving a Song .....   | 37        |
| Loading a Song.....   | 38        |
| Deleting Song Files .....   | 39        |
| Formatting the USB Storage Device .....   | 40        |
| Handling the USB Storage Device (USB Flash Memory/Floppy Disk, etc.) .....  | 41        |
| Handling the Floppy Disk Drive (FDD) and Floppy Disks.....  | 42        |
| <b>Playing Back Songs</b> .....   | <b>43</b> |
| Playing Back User/External Songs on the Instrument.....   | 44        |
| Playing Back User Songs from a USB Storage Device .....   | 45        |
| Useful Playback Functions .....   | 45        |



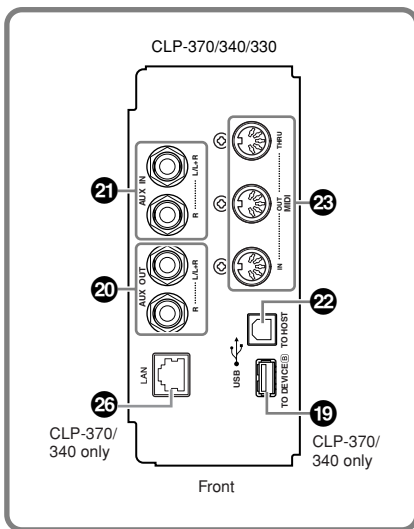
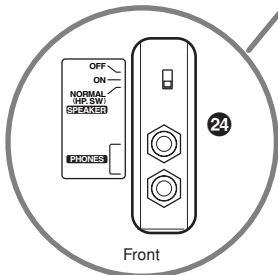
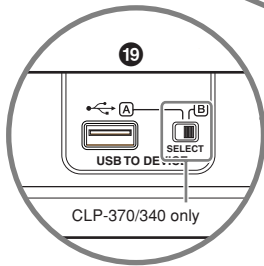
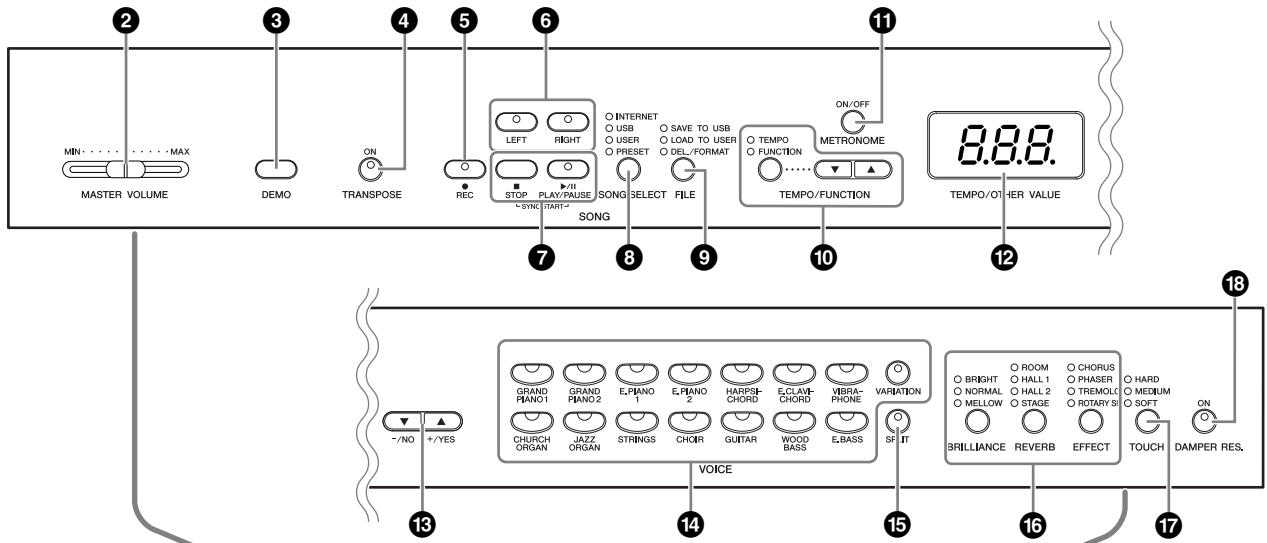
- Internet Direct Connection (CLP-370/340, CLP-S308/S306) ..... 46**
  - Setting up the Instrument for Internet Connection ..... 46
  - Connecting the Instrument to the Internet..... 48
  - About the Internet Settings ..... 49
  - Checking the field strength (when using a USB wireless LAN adaptor) ..... 51
  - Exporting the Connection Information ..... 52
  - Other Internet Operations ..... 53
- Listening to the Songs on Internet (CLP-370/340, CLP-S308/S306) ..... 56**
  - Glossary of Internet Terms..... 57
  - Initializing the data ..... 58
- Detailed Settings — [FUNCTION] ..... 59**
  - Basic Procedure in Function Mode ..... 60
  - About Each Function..... 62
    - F1. Fine Tuning of the Pitch..... 62
    - F2. Selecting a Scale ..... 63
    - F3. Dual Mode Functions..... 64
    - F4. (CLP-370/340) Split Mode Functions ..... 65
    - F5. (CLP-370/340) / F4. (CLP-S308/S306, CLP-330) Other Functions ..... 66
    - F6. (CLP-370/340) / F5. (CLP-S308/S306, CLP-330) Metronome Volume ..... 67
    - F7. (CLP-370/340) / F6. (CLP-S308/S306, CLP-330) MIDI Functions ..... 67
    - F8. (CLP-370/340) / F7. (CLP-S308/S306, CLP-330) Backup Functions..... 70
    - F8.5 (CLP-370/340)/ F7.5 (CLP-S308/S306, CLP-330) Character Code ..... 70
    - F9. (CLP-370/340)/ F8. (CLP-S308/S306) LAN Settings ..... 70
- Connections..... 71**
  - Connectors ..... 71
  - Connection to a USB storage device..... 73
  - Connecting a Personal Computer ..... 75
- Transmitting Song Data between the Computer and the Instrument..... 76**
  - Loading Song Data from a Computer to the Instrument..... 76
  - Transmitting Song Data from the Instrument to a Computer ..... 77
- Data Backup..... 78**
- Message List ..... 79**
- Troubleshooting..... 80**
- Options ..... 80**
- CLP-370: Keyboard Stand Assembly ..... 81**
- CLP-340/330: Keyboard Stand Assembly ..... 84**
- CLP-S308/S306: Keyboard Stand Assembly..... 87**
- Installing the Optional Floppy Disk Drive (CLP-370/340)..... 91**
- Preset Voice List ..... 92**
- Demo Song List ..... 95**
- Index..... 96**

## Appendix

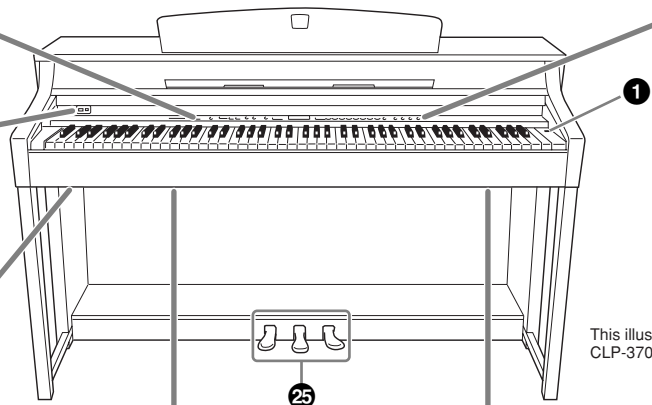
- Factory Setting List..... 98**
- Specifications..... 100**

# Panel Controls and Terminals

The panel illustrations shown are taken from the CLP-370.



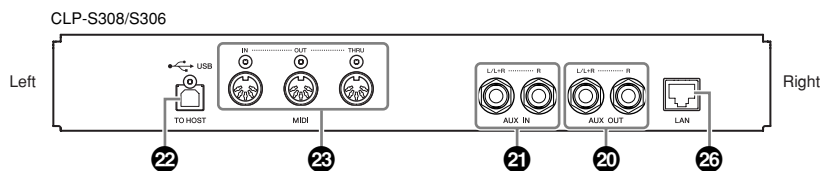
Shows the jacks as seen when viewed from below the instrument.




This illustration shown is taken from the CLP-370.

Pedal jack for CLP-340/330 is next to the MIDI jacks.  
Pedal jack for CLP-S308/S306 is next to the LAN Jack.

Shows the jacks as seen when viewed from below the instrument.



- 1** [POWER] switch .....page 14
- 2** [MASTER VOLUME] slider .....page 15  
Adjust the volume level using this slider.
- 3** [DEMO] button .....page 16  
Demonstration playback is available for each voice.
- 4** [TRANSPOSE] button .....page 25  
You can shift the pitch of the entire keyboard up or down so that the pitch will match that of another instrument or singer, while you play the same, unshifted keys.
- 5** [REC] button .....page 30  
For recording your keyboard performance.
- 6** [RIGHT], [LEFT] buttons ..... pages 18, 33  
For turning the left- and right-hand parts on or off as required so you can practice the corresponding part (the part that is turned off) on the keyboard.
- 7** [PLAY/PAUSE], [STOP] buttons ..... pages 16, 44  
For playing back the preset songs or your recorded songs, etc. You can also play back songs from the Internet over a special website.
- 8** [SONG SELECT] button ..... pages 17, 56  
For selecting a song to play back or edit.
- 9** [FILE] button ..... pages 36, 40  
For saving songs to and loading songs from a USB storage device, as well as managing song files. Also, lets you format a USB storage device.
- 10** [TEMPO/FUNCTION] button ..... pages 29, 60  
For changing the song tempo (speed) and selecting other useful functions (pages 59 – 70).
- 11** [METRONOME] button ..... pages 29, 67  
For using the metronome.
- 12** Display .....page 14  
 **CAUTION**  
Do not turn off the power to the instrument while flashing dashes appear in the display (indicating the operation is in process). Doing so may damage the data.
- 13** [–/NO], [+ /YES] buttons  
For setting values or performing file operations. Pressing both buttons simultaneously for certain value settings (Transpose, Tempo, etc.) restores the default value.
- 14** Voice group buttons .....page 20  
For selecting voices from 14 internal sounds including Grand Piano 1 and 2. You can also combine two voices and use them together. (Only the CLP-370 and CLP-340 has the [VARIATION] button.)
- 15** [SPLIT] button (CLP-370/340) .....page 27  
For playing different voices on the left- and right-hand sections of the keyboard.
- 16** [BRILLIANCE], [REVERB], [EFFECT] buttons .....page 22  
For adjusting the brightness of the sound and adding reverb effects to the sound.
- 17** [TOUCH] button .....page 24  
For adjusting the touch response.
- 18** [DAMPER RES.] button .....page 23  
For turning the Damper Resonance function on or off. When DAMPER RES. is on, the Clavinova simulates the sustain sound that occurs when you press the damper pedal of a grand piano, as you press the damper pedal and play the keyboard.
- 19** USB [TO DEVICE] terminals .....page 72  
For connecting the instrument to a USB storage device, allowing saving/loading of data to and from the connected device. On the CLP-370 and CLP-340, there are two TO DEVICE terminals, A and B, which can be specified using the [SELECT] switch.
- 20** AUX OUT [L/ L+R][R] jacks .....page 71  
For outputting the sound of the Clavinova to an external audio system.
- 21** AUX IN [L/L+R] [R] jacks .....page 72  
For connecting an external tone generator, allowing you to play the sound of that device via the Clavinova's internal sound system and speakers.
- 22** USB [TO HOST] terminal .....page 72  
For connecting the instrument to your computer, allowing you to transfer MIDI data between the Clavinova and the computer.
- 23** MIDI [IN] [OUT] [THRU] terminals .....page 72  
For connecting external MIDI devices, allowing the use of various MIDI functions.
- 24** [PHONES] jacks, [SPEAKER] switch .....page 15  
For connecting a set of standard stereo headphones, allowing private practice. The [SPEAKER] switch turns the internal speakers on or off.
- 25** PEDALS .....page 21  
For producing a range of expressive effects similar to those produced by the pedals on an acoustic piano. The left pedal can also be assigned to a variety of functions.
- 26** [LAN] jack (CLP-370/340, CLP-S308/S306) .....page 72  
For connecting a LAN cable to access special Internet websites for this instrument, and playing songs from the Internet.
- 27** [PEDAL] jack .....page 83  
For connecting a pedal cable.

# Before Using the Clavinova

## Key Cover

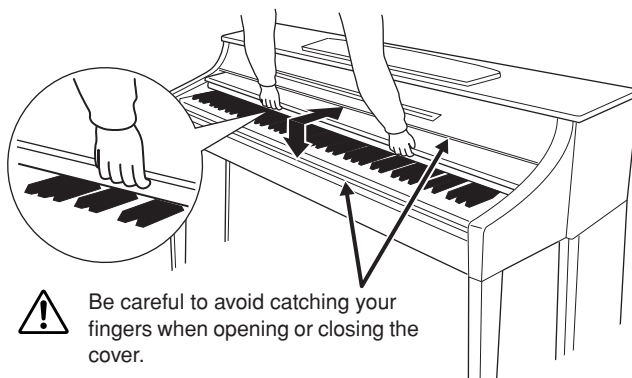
### CLP-370/340/330

#### To open the key cover:

Lift the cover slightly, then push and slide it open.

#### To close the key cover:

Slide the cover toward you and gently lower the cover over the keys.

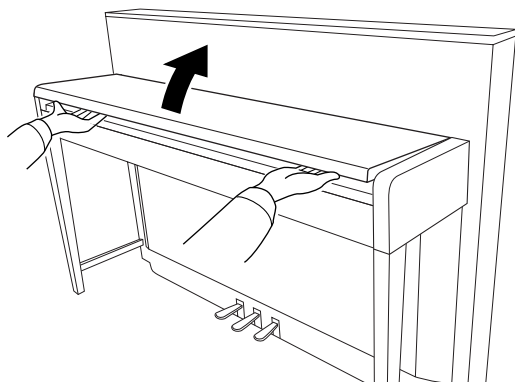


**!** Be careful to avoid catching your fingers when opening or closing the cover.

### CLP-S308/S306

#### To open the key cover:

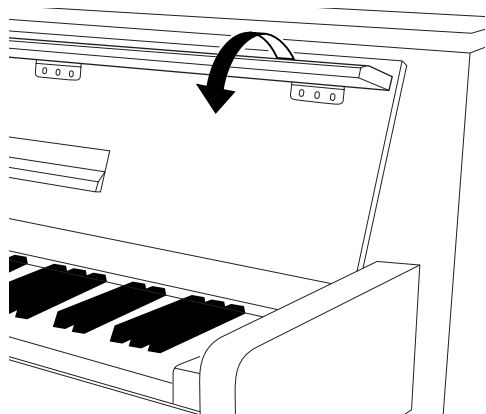
1. Hold the front edge of the key cover top with both hands, then open the key cover slowly.



#### **!** CAUTION

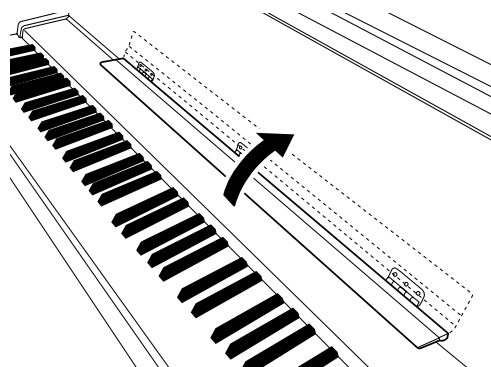
Be careful not to pinch your fingers (or those of children) when opening or closing it.

2. Close the edge of the key cover. (Fold it down so that it is flat with the cover.)



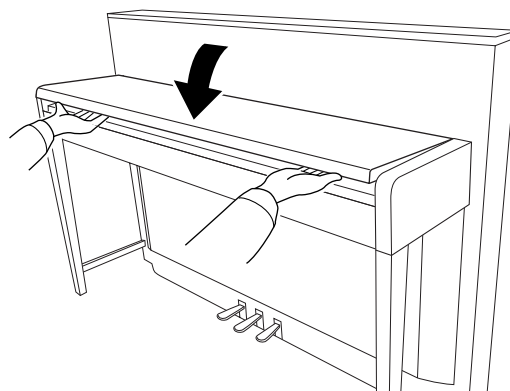
#### To close the key cover:

1. If the music rest is unfolded, fold it back.



2. Unfold the edge of the key cover.

3. Hold the key cover with both hands and close it slowly.



#### **!** CAUTION

Be careful not to pinch your fingers (or those of children) when opening or closing it.

**⚠ CAUTION**

Be careful not to pinch your fingers or the fingers of child when opening or closing it.

**⚠ CAUTION**

Do not place objects such as a piece of metal or paper on top of the key cover. Small objects placed on the key cover may fall inside the unit when the cover is opened and may be nearly impossible to remove. This could cause electric shock, short circuit, fire or other serious damage to the instrument.

**⚠ CAUTION**

Disconnect the optional USB storage device connected to the USB [TO DEVICE] A terminal before closing the key cover. Closing the cover with the device still connected may damage the device.

**⚠ CAUTION**

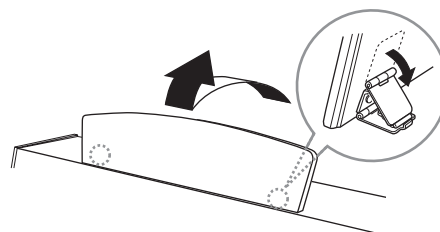
(CLP-S308/S306) When transporting the instrument, cover the entire keyboard with the protective sheet (page 87) before closing the key cover. The sheet will protect the keyboard from being scratched.

## Music Rest

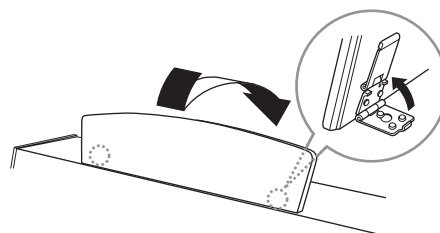
### CLP-370/340/330

**To raise the music rest:**

1. Pull the music rest up and toward yourself as far as it will go.
2. Flip down the two metal supports at the left and right on the rear of the music rest.
3. Lower the music rest so that it rests on the metal supports.

**To lower the music rest:**

1. Pull the music rest toward yourself as far as it will go.
2. Raise the two metal supports (at the rear of the music rest).
3. Gently lower the music rest backward until it is all the way down.

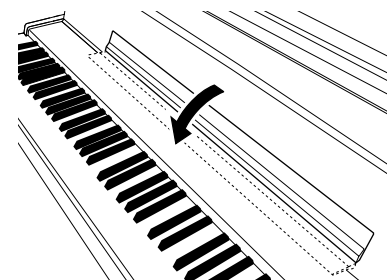
**⚠ CAUTION**

Do not try to use the music rest in a half-raised position. When lowering the music rest, do not release your hands from the music rest until it is all the way down.

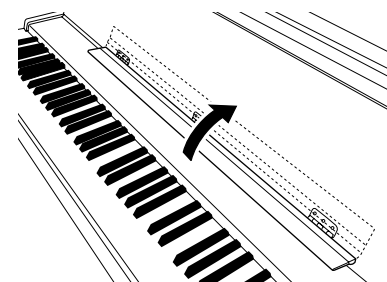
### CLP-S308/S306

**Unfold the music rest**

When opening the key cover, unfold the music rest.

**Fold the music rest**

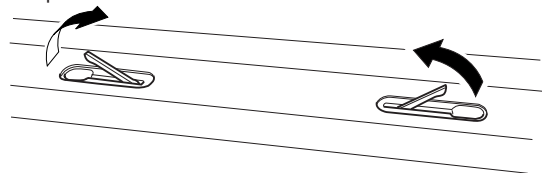
When closing the key cover, fold the music rest.



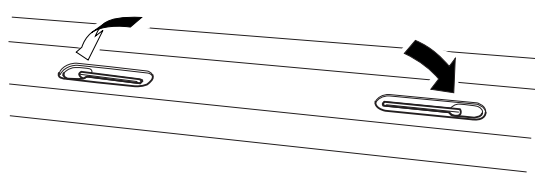
## Music Braces (CLP-370/340)

These braces are for holding the pages of music books in place.

To open



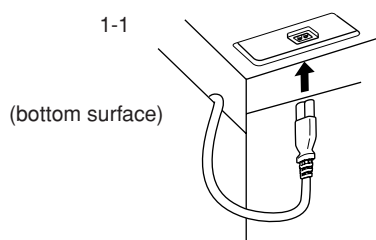
To close



## Turning the Power On

### 1. Connect the power cord.

Insert the plugs at the ends of the cord, one into the AC IN on the Clavinova, and the other into a standard AC outlet. In some areas, a plug adaptor may be provided to match the pin configuration of the AC wall outlets in your area.



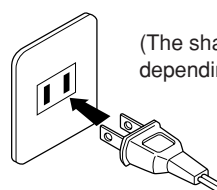
1-1

(bottom surface)

CLP-370/340/330  
Shows the AC IN as  
seen when viewed from  
below the instrument.

CLP-S308/S306  
AC IN is located on the  
rear of the instrument.

1-2



(The shape of plug differs  
depending on locale.)

### **!** WARNING

Make sure your instrument is rated for the AC voltage supplied in the area in which it is to be used (voltage rating appears on the name plate on the bottom panel). In some areas, a voltage selector may be provided on the bottom panel of the main keyboard unit near the AC IN. Make sure that the voltage selector is set for the voltage in your area. Connecting the unit to the wrong AC supply can cause serious damage to the internal circuitry and may even pose a shock hazard!

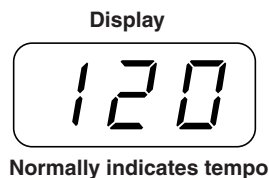
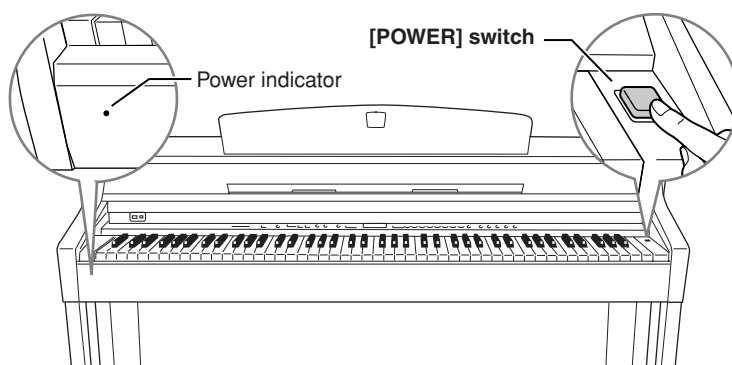
Use only the AC power cord supplied with the Clavinova. If the supplied cord is lost or damaged and needs to be replaced, contact your Yamaha dealer. The use of an inappropriate replacement can pose a fire and shock hazard!

The type of AC power cord provided with the Clavinova may be different depending on the country in which it is purchased. (In some areas a plug adaptor may be provided to match the pin configuration of the AC wall outlets in your area.) Do NOT modify the plug provided with the Clavinova. If the plug will not fit the outlet, have a proper outlet installed by a qualified electrician.

### 2. Turn the power on.

Press the **[POWER]** switch.

- The display located in the center of the front panel and the power indicator located below the left end of the keyboard lights up.



When you're ready to turn off the power, press the **[POWER]** switch again.

- The display and the power indicator turn off.

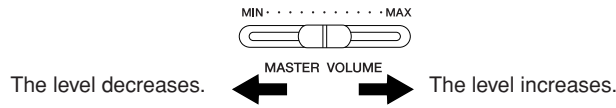
### NOTE

#### Power indicator

If you close the key cover without turning the power off, the power indicator remains lit, indicating that the power is still on.

# Setting the Volume

Initially set the [MASTER VOLUME] slider about halfway between the “MIN” and “MAX” settings. Then, when you start playing, re-adjust the [MASTER VOLUME] slider to the most comfortable listening level.



## CAUTION

Do not use the Clavinova at a high volume level for a long period of time; doing so may damage your hearing.

### TERMINOLOGY MASTER VOLUME:

The volume level of the entire keyboard sound.

### NOTE

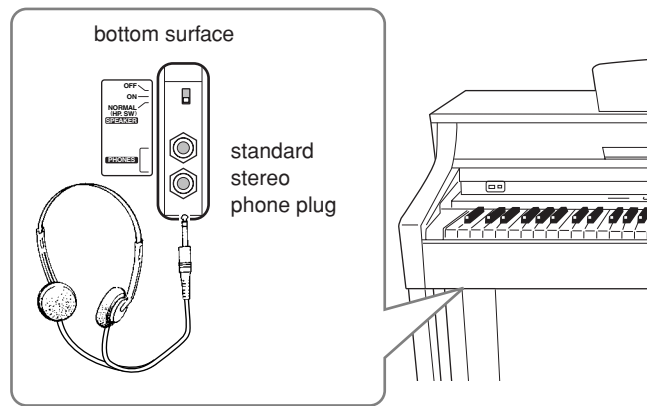
You can also adjust the [PHONES] output level and the AUX OUT level using the [MASTER VOLUME] slider.

# Using Headphones

Connect a pair of headphones to one of the [PHONES] jacks.

Two [PHONES] jacks are provided.

You can connect two sets of standard stereo headphones. (If you are using only one pair of headphones, you can plug them into either jack.)

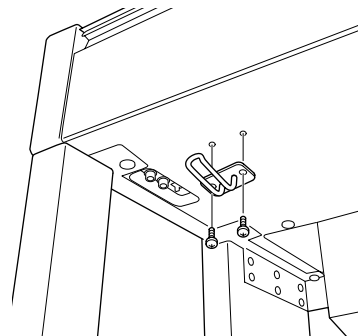


## Using the Headphone Hanger

A headphone hanger is included in the Clavinova package so that you can conveniently hang the headphones on the Clavinova. Install the headphone hanger using included two screws (4 x 10mm) as shown in the figure.

## CAUTION

Do not hang anything other than the headphones on the hanger. Doing so may damage the Clavinova or the hanger.



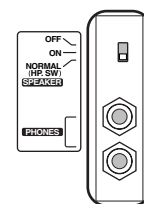
# Using the Speaker Switch

This switch turns the internal speakers on or off.

**NORMAL (HP. SW)** ..... The speakers produce sound as long as a pair of headphones is not connected.

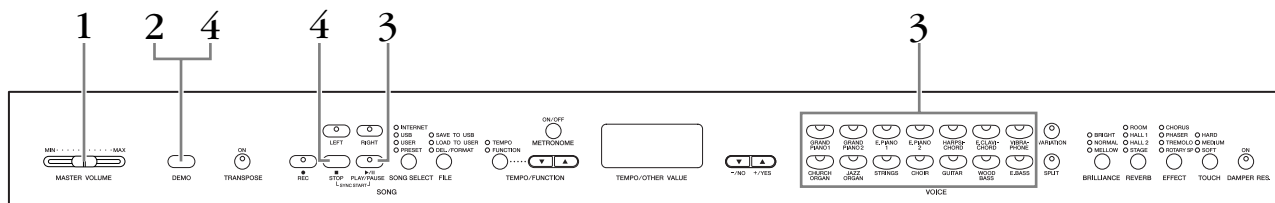
**ON** ..... The speakers always produce sound.

**OFF** ..... The speakers produce no sound.



# Listening to the Demonstration Tunes

Demonstration tunes are provided that effectively demonstrate each of the Clavinova's voices.



## Procedure

### 1. Turn the power on.

(In case the power is not turned ON) Press the **[POWER]** switch.  
 When the power is turned ON, one of the voice button LEDs will light.  
 Initially set the **[MASTER VOLUME]** slider about half way between the “MIN” and “MAX” settings. Then, when you start playing, re-adjust the **[MASTER VOLUME]** slider to the most comfortable listening level.

### 2. Engage Demo mode.

Press the **[DEMO]** button to engage Demo mode. The voice button indicators will flash in sequence.

### 3. Play a Voice demo.

Press one of the voice buttons to start playback of all songs starting from the corresponding voice demo tune — featuring the voice normally selected by that voice button. (If you press the **SONG [PLAY/PAUSE]** button instead of a voice button or only waiting (not press any keys) a short while, the GRAND PIANO 1 demo tune will begin playback.)

### 4. Stop the Voice demo and exit from Demo mode.

Press the **[DEMO]** or **SONG [STOP]** button.

#### NOTE

For a list of the demo songs, see page 95.

#### NOTE

MIDI reception is not possible in Demo Song mode.  
 Demo song data is not transmitted via the MIDI terminals.

#### NOTE

Demo mode cannot be engaged during User song recording (page 30) or file operations (page 36).

#### TERMINOLOGY

##### Mode:

A mode is a status under which you can execute a certain function. In Demo mode, you can play back demonstration tunes.

#### NOTE

You cannot adjust the tempo of demo songs.  
 You cannot use the part cancel function (page 18) or the song A-B repeat function (page 19) in Demo mode.

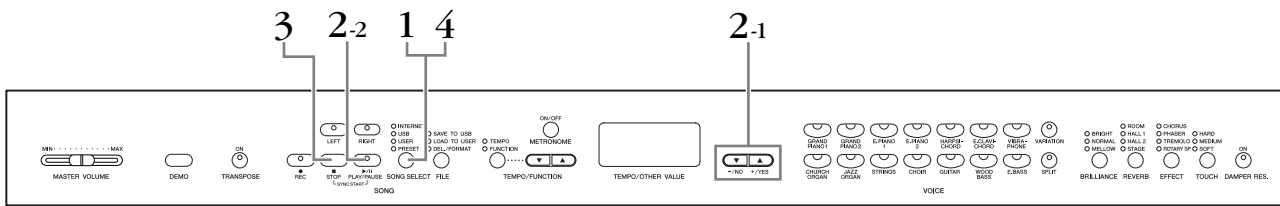
#### NOTE

On the CLP-370/340, you can demo the piano voices with various effects by pressing the **[VARIATION]** button, then pressing the desired voice button. Refer to the “Piano Voice Demo Description” on page 95 for the complete list of demo sounds for the piano voices with various effects.



# Listening to 50 Piano Preset Songs

The Clavinova provides performance data of 50 piano songs. You can simply listen to these songs or use them for practice (page 18). You can also refer to the included “50 greats for the Piano” that contains scores for the 50 piano preset songs.



## Procedure

### 1. Engage Preset Song mode.

Press the [SONG SELECT] button a few times until the “PRESET” indicator lights.

### 2. Play any of the 50 preset songs.

**2-1** Press the [-/NO], [+ /YES] buttons to select a number of the tune you want to play (the number will appear on the LED display) or select a playing method.

**1 – 50:** Select a preset song number and play only the song.

**r n d:** Play all preset songs continuously in random order.

**ALL:** Play all preset songs in sequence.

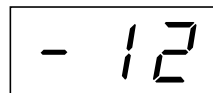
**2-2** Press the **SONG** [PLAY/PAUSE] button to start playback.

#### Adjust the Volume

Use the [MASTER VOLUME] control to adjust the volume.

#### Adjust the Tempo

You can use the [TEMPO/FUNCTION ▼, ▲] buttons to adjust the playback tempo as required. The default tempo can be recalled by simultaneously pressing the [▼] and [▲] buttons.



This produces a relative tempo variation, with a range from “-50” through “0” to “50” at maximum; the range will differ depending on the selected song.

### 3. Stop playback.

Playback will stop automatically when the selected preset song has finished. To stop the song during playback (or continuous playback), press the **SONG** [STOP] button. You can also pause playback by pressing the **SONG** [PLAY/PAUSE] button.

- To play back another song continuously, see procedure **2** above.

### 4. Exit from Preset Song mode.

Press the [SONG SELECT] button to exit Preset Song mode. The indicator turns off, and the unit returns to normal play mode.

#### How to use the practice functions

You can turn the left- and right-hand parts on or off as required so you can practice the corresponding part (part cancel function) and continuously repeat a specified phrase within a song (song A-B repeat function). For more information, see pages 18–19.

#### NOTE

Preset Song mode cannot be engaged while the unit is in Demo Song mode (page 16) or during song playback (page 44), User song recording (page 30), or file operations (page 36).

#### TERMINOLOGY

##### Song:

Performance data is called a “Song.” This includes demonstration tunes and piano preset tunes.

#### NOTE

You can play the keyboard along with the preset song. You can change the voice playing on the keyboard.

#### NOTE

You can adjust the Brilliance control (page 22) and Reverb type (page 22) that is applied to preset song playback.

You can change the Effect settings (page 23) and Touch sensitivity (page 24) for the keyboard voice you play.

#### NOTE

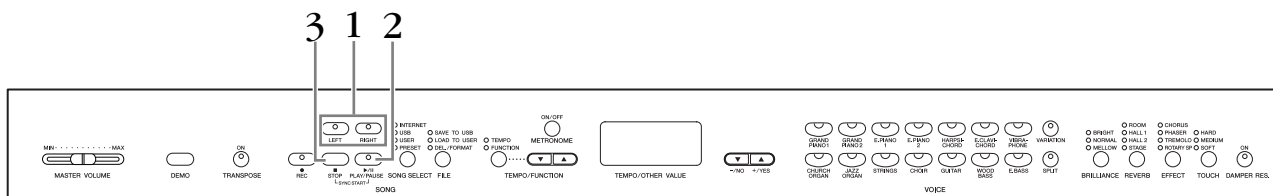
The default tempo “0” is automatically selected whenever a new preset song is selected, or when playback of a new preset song begins during “ALL” or “r n d” playback.

#### NOTE

When you select a different song (or a different song is selected during chained playback), appropriate reverb and effect types will be selected accordingly.

# Practicing a One-Hand Part Using the 50 Preset Songs (Part Cancel Function)

The 50 preset songs have separate left- and right-hand parts on individual parts. You can turn the left- and right-hand parts on or off as desired, in order to practice the corresponding part (the part that is turned off) on the keyboard. The right-hand part is played by **[RIGHT]** and the left-hand part is played by **[LEFT]**.



## Procedure

### 1. Turn off the playback part you wish to practice.

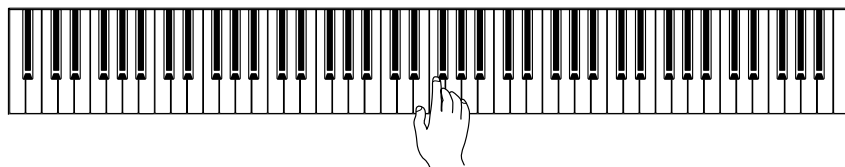
After you select a song to practice, press the **[RIGHT]** or **[LEFT]** button to turn off the corresponding part.

When you first select a song, both **[RIGHT]** and **[LEFT]** indicators light up, indicating that you can play back both parts. When you press one of the buttons to turn off playback, the corresponding button indicator turns off and the corresponding part playback is muted.

- Pressing the buttons repeatedly toggles playback between on and off.

### 2. Start playback and playing.

Press the **SONG [PLAY/PAUSE]** button to start playback. Play the part you just turned off.



#### Starting playback automatically as you start playing the keyboard (Sync Start)

When the Sync Start function is engaged, playback of the selected preset song will begin automatically as soon as you start playing on the keyboard.

To engage the Sync Start function, simultaneously hold down the **SONG [STOP]** and press the **[PLAY/PAUSE]** button.

(Repeat the previous operation to disengage the Sync Start function.)

Playback will then start as soon as you begin playing on the keyboard.

#### Left Pedal Play/Pause

The left pedal can be assigned to play and pause preset song playback via the “Left Pedal Mode” function described on page 66.

### 3. Stop playback.

When playback is complete, it automatically stops and the Clavinova locates the top of the song. If you wish to stop playback in the middle of a song, press the **SONG [STOP]** button. You can also pause playback by pressing the **SONG [PLAY/PAUSE]** button.

#### NOTE

The Preset Song Part Cancel function cannot be used during “ALL” or “r n d” (page 17) playback.

#### NOTE

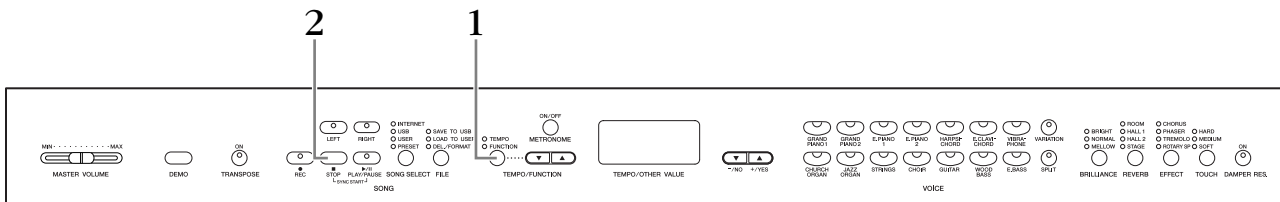
The parts can be turned on or off even during playback.

#### NOTE

Both parts are automatically turned ON whenever a new song is selected.

# A-B Repeat for 50 Preset Songs

The A-B Repeat function can be used to continuously repeat a specified phrase within a preset song. Combined with the Part Cancel function described on page 18, this provides an excellent way to practice difficult phrases.

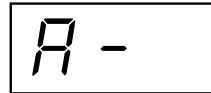


## Procedure

### 1. Specify the beginning (A) and the end (B) of the phrase, and start practicing.

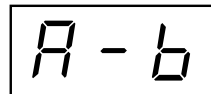
Select and play a preset song, then press the [TEMPO/FUNCTION] button at the beginning of the phrase you want to repeat.

This sets the “A” point (A - will appear on the display).

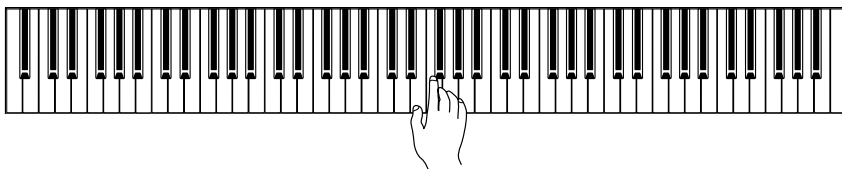


To specify the end (B) of the phrase, press the [TEMPO/FUNCTION] button a second time at the end of the phrase.

This sets the “B” point (A - b will appear on the display).



At this point, repeat playback will begin between the specified A and B points.



### 2. Stop playback.

Press the SONG [STOP] button to stop playback while retaining the specified A and B points. A-B repeat playback will resume if you press the SONG [PLAY/PAUSE] button.

To cancel the A and B points, press the [TEMPO/FUNCTION] button once.

#### NOTE

The A-B Repeat function cannot be used during “ALL” or “r n d” (page 17) playback.

#### NOTE

- To set the “A” point at the very beginning of the song, press the [TEMPO/FUNCTION] button before starting playback.
- You can have the B point automatically be set to the song's end, by setting the A point and letting the song play to the end.

#### NOTE

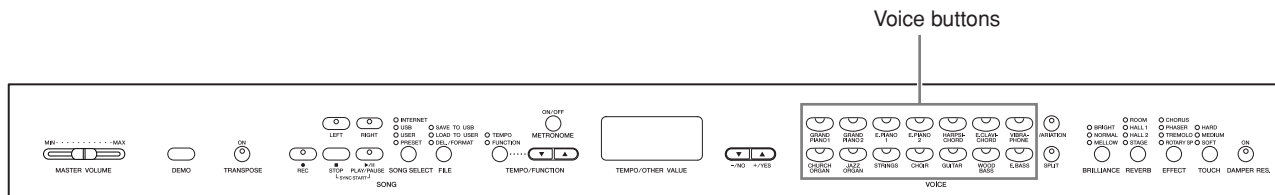
An automatic lead-in (to help guide you into the phrase) starts at the A point of the song.

#### NOTE

The A and B points are automatically canceled when a new song is selected.

# Selecting & Playing Voices

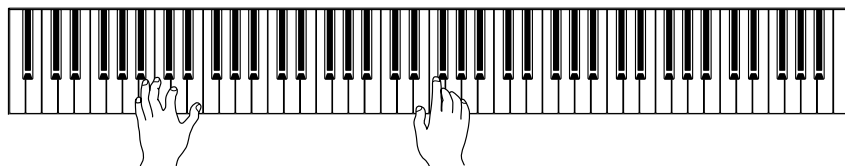
## Selecting Voices



### Procedure

Select the desired voice by pressing one of the Voice buttons.

Then, when you start playing, re-adjust the [MASTER VOLUME] slider for the most comfortable listening level.



### NOTE

To learn characteristics of the voices, listen to demo songs for each voice (page 16). Refer to “Preset Voice List” on page 92 for more information on the characteristics of each preset voice.

### TERMINOLOGY

#### Voice:

On the Clavinova, a voice means a “tone” or “tonal color.”

### NOTE

You can control the loudness of a voice by adjusting the force with which you strike the keys, although different playing styles (touch sensitivities) have little or no effect with certain musical instruments.

Refer to “Preset Voice List” on page 92.

# Using the Pedals

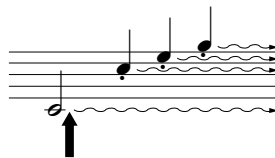
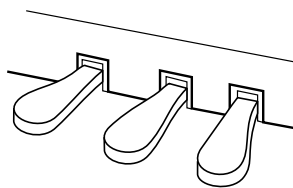
The Clavinova has three foot pedals that produce a range of expressive effects similar to those produced by the pedals on an acoustic piano.

## Damper (Right) Pedal

The damper pedal functions in the same way as a damper pedal on an acoustic piano. When the damper pedal is pressed, notes sustain longer. Releasing the pedal immediately stops (damps) any sustained notes.

The damper pedal also features a naturally expressive half-pedal function.

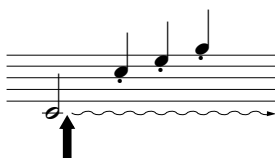
When DAMPER RES. is on, the Clavinova simulates the sustain sound that occurs when you press the damper pedal of a grand piano, as you press the damper pedal and play the keyboard.



When you press the damper pedal here, the notes you play before you release the pedal have a longer sustain.

## Sostenuto (Center) Pedal

If you play a note or chord on the keyboard and press the sostenuto pedal while the note(s) are held, those notes will sustain as long as you hold the pedal (as if the damper pedal had been pressed) but all subsequently played notes will not be sustained. This makes it possible to sustain a chord, for example, while other notes are played “staccato.”



When you press the sostenuto pedal here while holding the note, the note will sustain as long as you hold the pedal.

## Soft (Left) Pedal

The soft pedal reduces the volume and slightly changes the timbre of notes played while the pedal is pressed. The soft pedal will not affect notes that are already playing when it is pressed.

### NOTE

If the damper pedal doesn't work, make sure that the pedal cord is properly plugged into the jack (pages 83, 86).

### TERMINOLOGY:

#### Half-pedal:

While playing the piano with Sustain and you want to slightly mute the sustained sound, release the damper pedal from maximum position to half position.

### NOTE

The depth of the effect produced by the “Sustain Samples” can be adjusted via the “Sustain Sample Depth” (page 66) in Function mode.

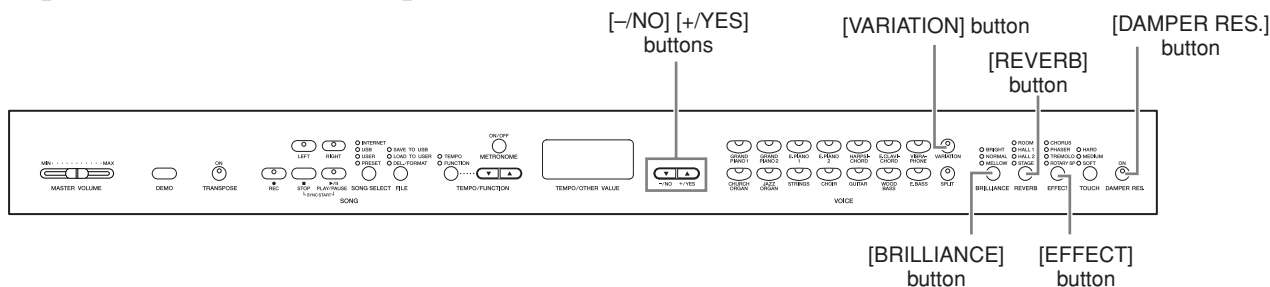
### NOTE

Organ, string and choir voices will continue to sound for as long as the sostenuto pedal is depressed.

### NOTE

The left pedal can be assigned to song play/pause operation or variation function (CLP-370/340) via the “Left Pedal Mode” described on page 66.

# Adding Variations to the Sound — [VARIATION] (CLP-370/340)/[BRILLIANCE]/[REVERB]/[EFFECT]/ [DAMPER RES.]



ENGLISH

## [VARIATION] (CLP-370/340)

Lets you alter another aspect of the effect, depending on the selected type. Refer to “Preset Voice List” on page 92 for more information on the characteristics of each variation.

### Procedure

Pressing the [VARIATION] or selected voice button toggles the variation on and off. The indicator lights (ON) when [VARIATION] is enabled.

## [BRILLIANCE]

This control can be used to change the tonality or “timbre” of the sound output.

- BRIGHT:** Bright tone
- NORMAL:** Standard tone
- MELLOW:** Soft and mellow tone

### Procedure

To select a brilliance type, press the [BRILLIANCE] button a few times until the indicator corresponding to the desired type lights (the indicator lights in sequence each time you press the [BRILLIANCE] button). Brilliance can be selected among five types. When two adjacent indicators are lit, the type that is between the two indicated types is selected. For example, when both NORMAL and MELLOW are lit, the brilliance setting between NORMAL and MELLOW is selected. This parameter affects the entire sound of the instrument.

## [REVERB]

This control enables you to select various digital reverb effects that would add extra depth and expression to the sound to create a realistic acoustic ambience.

- OFF:** When no reverb effect is selected, no REVERB indicator is lit.
- ROOM:** This setting adds a continuous reverb effect to the sound, similar to the acoustic reverberation you would hear in a room.
- HALL 1:** For a “bigger” reverb sound, use the HALL 1 setting. This effect simulates the natural reverberation of a small-size concert hall.
- HALL 2:** For a truly spacious reverb sound, use the HALL 2 setting. This effect simulates the natural reverberation of a large concert hall.
- STAGE:** Simulates the reverb of a stage environment.

**NOTE**  
Normal setting = OFF

**TERMINOLOGY**  
**Normal setting:**  
The “Normal setting” refers to the default setting (factory setting) obtained when you first turn on the power to the Clavinova.

**NOTE**  
The left pedal can be assigned to ON or OFF the variation via the “Left Pedal Mode” function described on page 66.

**NOTE**  
Normal setting = NORMAL

**NOTE**  
When the BRILLIANCE is set to BRIGHT, the overall sound will be slightly louder. If the MASTER VOLUME is set at a high level the sound may become distorted. If so, lower the MASTER VOLUME level.

**NOTE**  
The default reverb type (including OFF) and depth settings are different for each voice.

**NOTE**  
Releasing the [REVERB] button changes the reverb type. If you have changed the reverb depth, releasing the [REVERB] button will not change the reverb type.

## Procedure

To select an reverb type, press the **[REVERB]** button a few times until the indicator corresponding to the desired type lights (the indicators light in sequence each time you press the **[REVERB]** button). No effect is produced when all indicators are off.

### Adjusting Reverb Depth

Adjust the reverb depth for the selected voice by using the **[-/NO]** **[+/YES]** buttons while holding the **[REVERB]** button. The depth range is from 0 through 20. The current depth setting appears on the LED display while the **[REVERB]** button is held.

## [EFFECT]

The **[EFFECT]** button allows you to select an effect to give your sound greater depth and animation.

**OFF:** When no effect is selected, no **EFFECT** indicator is lit.

**CHORUS:** A shimmering, broadening effect

**PHASER:** Adds a sweeping effect to the sound.

**TREMOLO:** Tremolo effect

**ROTARY SP:** Adds the vibrato effect of a rotary speaker.

## Procedure

To select an effect type, press the **[EFFECT]** button a few times until the indicator corresponding to the desired type lights (the indicators light in sequence each time you press the **[EFFECT]** button). No effect is produced when all indicators are off.

### Adjusting Effect Depth

You can adjust the effect depth for the selected voice by using the **[-/NO]** and **[+/YES]** buttons while holding the **[EFFECT]** button.

The depth range is from 0 through 20. The current depth setting appears on the LED display while the **[EFFECT]** button is held.

## [DAMPER RES.]

The Damper Resonance lets you hear a simulation of the sustain sound of the damper pedal on a grand piano, as you press the damper pedal and play the keyboard.

This effect is applied to the entire sound of the instrument.

## Procedure

Pressing the **[DAMPER RES.]** button repeatedly toggles the Damper Resonance on and off.

### Adjusting DAMPER RES. Depth

You can adjust the Damper Resonance depth by using the **[-/NO]** and **[+/YES]** buttons while holding the **[DAMPER RES.]** button.

The depth range is from 0 through 20. The current depth setting appears on the LED display while the **[DAMPER RES.]** button is held.

### NOTE

**Depth 0:** no effect

**Depth 20:** maximum reverb depth

### NOTE

The default effect type (including **OFF**) and depth settings are different for each voice.

### NOTE

Releasing the **[EFFECT]** button changes the effect type.

If you have changed the depth settings, releasing the **[EFFECT]** button will not change the effect type.

### NOTE

**Depth 0:** no effect

**Depth 20:** maximum effect depth

### NOTE

Default depth settings are different for each voice.

### NOTE

Normal setting = ON

### NOTE

**Depth 0:** no effect

**Depth 20:** maximum depth

# Touch Sensitivity — [TOUCH]

You can select four different types of keyboard touch sensitivity — **HARD**, **MEDIUM**, **SOFT** or **FIXED** — to match different playing styles and preferences.

- HARD:** Requires that the keys be played quite hard to produce maximum loudness.
- MEDIUM:** Produces a fairly “standard” keyboard response.
- SOFT:** Allows maximum loudness to be produced with relatively light key pressure.
- FIXED:** All notes are produced at the same volume no matter how hard the keyboard is played. (No indicators are lit.) The fixed volume can be changed.

**NOTE**

This setting does not change the weight of the keyboard.

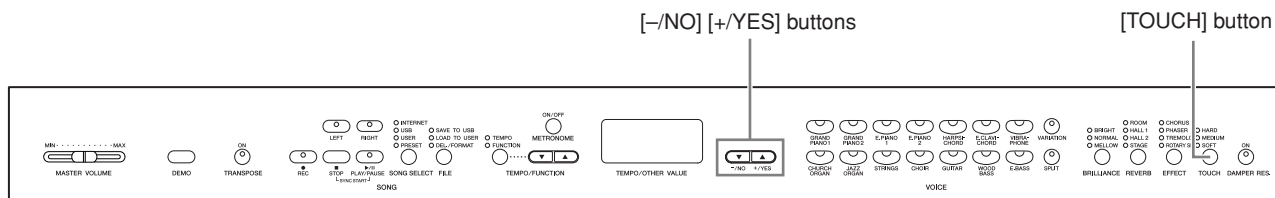
**NOTE**

Normal setting = MEDIUM

**NOTE**

The touch sensitivity type will become the common setting for all voices. However, the touch sensitivity settings may have little or no effect with certain voices that are not normally responsive to keyboard dynamics. (Refer to the “Preset Voice List” on page 92.)

ENGLISH



## Procedure

To select a touch sensitivity type press the **[TOUCH]** button a few times until the indicator corresponding to the desired type lights (the indicators light in sequence each time the **[TOUCH]** button is pressed). No indicator is lit when “FIXED” is selected.

### Changing the volume when FIXED is selected

When you select **FIXED**, you can set the volume for notes played in **FIXED** mode by using the **[-/NO]** and **[+/YES]** buttons while you hold the **[TOUCH]** button. The current volume level appears on the display. The volume range is from 1 through 127. The default setting is 64.



**NOTE**

1: minimum volume  
127: maximum volume

**NOTE**

The touch volume set in **FIXED** mode will become the common setting for all voices.

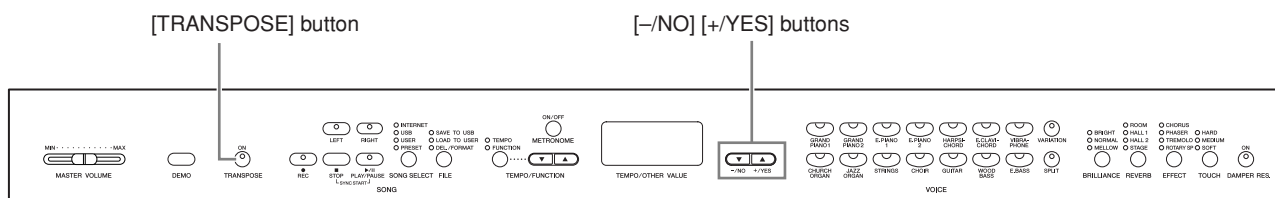
**NOTE**

Releasing the **[TOUCH]** button changes the touch type. If you have changed the volume, releasing the **[TOUCH]** button will not change the touch type. (**FIXED** mode will remain selected.)



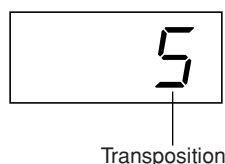
# Transposition — [TRANPOSE]

The Clavinova’s Transpose function makes it possible to shift the pitch of the entire keyboard up or down in semitone intervals to facilitate playing in difficult key signatures, and to let you easily match the pitch of the keyboard to the range of a singer or other instruments. For example, if you set the transposition amount to “5,” playing a C key produces a pitch of F. In this way, you can play a song as though it were in C major, and the Clavinova will transpose it to F major.



## Procedure

Use the [-/NO] and [+ /YES] button while holding the [TRANPOSE] button to transpose down or up as required. The amount of transposition appears on the LED display while the [TRANPOSE] button is held. The default transpose setting is “0.”



The [TRANPOSE] button indicator remains lit when a transpose setting other than “0” is selected. If a value other than “0” is selected, the [TRANPOSE] button can be switched the transpose function ON or OFF at any time.

### TERMINOLOGY

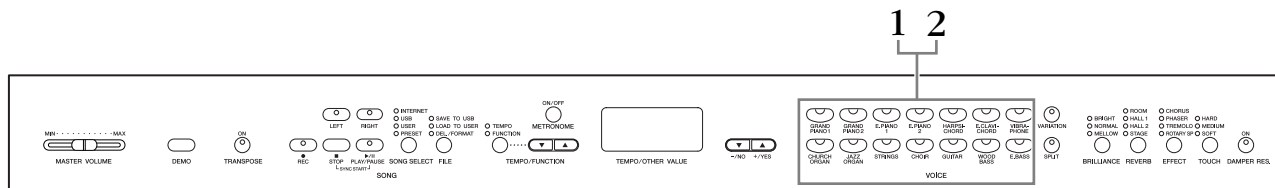
**Transpose:**  
Change the key signature of a song. On the Clavinova, transposing shifts the pitch of the entire keyboard.

### NOTE

**The transposition range:**  
**-12:** -12 semitones (down one octave)  
**0:** normal pitch  
**12:** 12 semitones (up one octave)

# Combining Two Voices (Dual mode)

You can play two voices simultaneously across the entire range of the keyboard. In this way, you can simulate a melody duet or combine two similar voices to create a thicker sound.



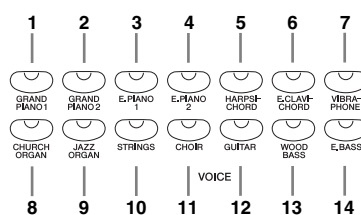
## Procedure

### 1. Engage Dual mode.

Press two voice buttons at the same time (or press one voice button while holding another). The voice indicators of both selected voices will light when Dual mode is active.

- According to the voice numbering priority shown in the diagram on the right, the lower value voice number will be designated as Voice 1 (the other voice will be designated as Voice 2).

Voice numbering priority



The Function mode provides access to a number of other Dual mode functions, such as volume balance setting or octave setting (page 64). (If you do not set Dual mode functions, the appropriate setting will be set in each voice by default.)

### 2. Exit Dual mode and return to normal play mode.

To return to the normal single-voice play mode, press any single voice button.

#### NOTE (CLP-370/340)

Dual and Split (page 27) modes cannot be engaged at the same time.

#### NOTE

#### [VARIATION] in Dual Mode (CLP-370/340)

The [VARIATION] button's indicator will light if the variation is engaged for either or both of the Dual mode voices. While Dual mode is engaged, the [VARIATION] button can be used to turn the variation for both voices on or off. To turn the variation on or off for only one of the voices, hold the voice button for the other voice and press the button of the voice for which you want to change the variation.

#### NOTE

#### [REVERB] in Dual Mode

The reverb type assigned to Voice 1 will take priority over the other. (If the reverb is set to OFF, Voice 2 reverb type will be in effect.)

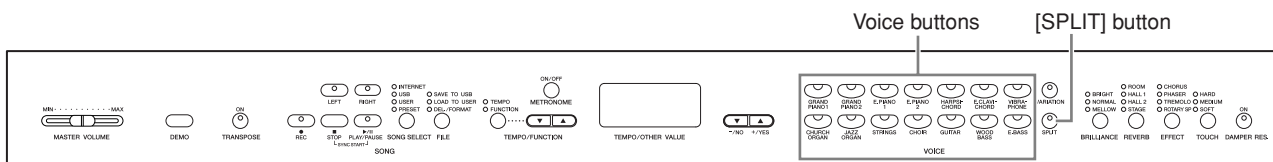
#### NOTE

#### [EFFECT] in Dual Mode

Depending on the conditions, one effect type may take priority over the other. Depth will be decided according to the depth default value of the voice combination. However, using function F3 (page 64) you can adjust the depth value for each voice to your liking.

# Splitting the Keyboard Range and Playing Two Different Voices (Split mode) (CLP-370/340)

Split mode enables you to play two different voices on the keyboard — one with the left hand and another with the right hand. For example, you can play a bass part using the Wood Bass or Electric Bass voice with the left hand, and a melody with the right hand.



## Procedure

### 1. Engage Split mode.

Press the [SPLIT] button so that its indicator lights. The default setting (**WOOD BASS**) will be selected for the left-hand voice at first.

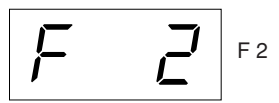
The Function mode provides access to a number of other Split mode functions (page 65). (If you make no settings for Split mode functions, the appropriate setting will be set in each voice by default.)

### 2. Specify the split point (the border between the right-and left-hand range).

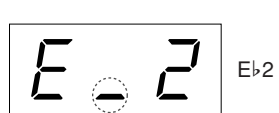
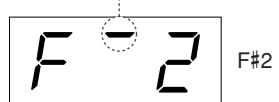
(The split point is initially set at the F#2 key by default. If you do not need to change the split point, skip this procedure.)

You can change the split point to any other key by pressing the key while holding the [SPLIT] button (the name of the current split-point key appears on the LED display while the [SPLIT] button is held).

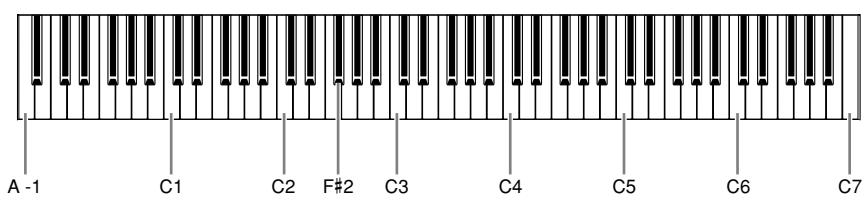
#### An example of split-point key display



followed by a high bar if sharp



followed by a low bar if flat



Normal setting=F#2

#### NOTE

Dual (page 26) and Split modes cannot be engaged simultaneously.

#### NOTE

A specified "split point" key is included in the left-hand range.

The split point can also be changed by simultaneously holding down the [SPLIT] button and pressing the [-/NO] or [+ /YES] button.

The default split point can be recalled by simultaneously holding down the [SPLIT] button and pressing both the [-/NO] and [+ /YES] buttons together.

#### NOTE

The split point can also be set via Function 4 (page 65).

### 3. Select a voice for the right hand.

Press a voice button.

### 4. Select a voice for the left hand.

Press the corresponding voice button while holding the **[SPLIT]** button. (The indicator of the Left Voice button will light while the **[SPLIT]** button is pressed.)

To turn the variation on or off for the split voice, hold the **[SPLIT]** button and press the **[VARIATION]** button or the currently-selected voice button.

### 5. Exit Split mode and return to normal play mode.

Press the **[SPLIT]** button again so that its indicator goes out.

#### NOTE

##### **[VARIATION] in Split Mode**

You can turn the variation on or off for Split mode voices. Normally, the voice indicator of the right voice lights in Split mode. The **[VARIATION]** can be used to turn the variation for the right voice on or off as required. While the **[SPLIT]** button is held, however, the voice indicator of the left voice lights. In this state the **[VARIATION]** button turns the variation for the left voice on or off.

#### NOTE

##### **[REVERB] in Split Mode**

The reverb type assigned to the right voice will take priority over the other. (If the reverb of the right voice is set to OFF, the left voice's reverb type will be in effect.)

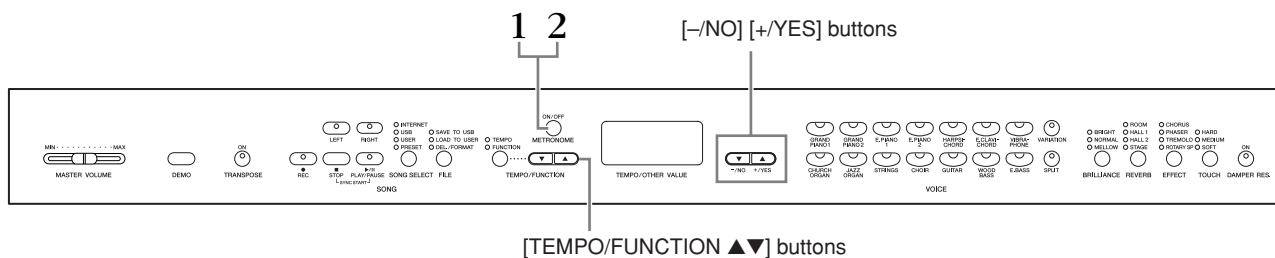
#### NOTE

##### **[EFFECT] in Split Mode**

Depending on the conditions, one effect type will take priority over the other. The depth will be decided according to the depth default value of the voice combination. However, using function F4 (page 65) you can change the depth value for each voice as you like. Effect depth setting via the panel controls (i.e. pressing the **[-/NO]** or **[+/YES]** buttons while holding the **[EFFECT]** button — will be applied to the right voice only.

# Using the Metronome

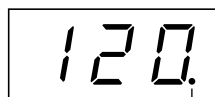
The Clavinova features a built-in metronome (a device that keeps an accurate tempo) that is convenient for practicing.



## Procedure

### 1. Start the metronome.

The metronome sound is turned on by pressing the **METRONOME [ON/OFF]** button.



The beat indicator flashes at the current tempo.

#### Adjusting the tempo

The tempo of the metronome and user song recorder playback (the recorder is described in the next section) can be set from 32 to 280 beats per minute by using the **[TEMPO/FUNCTION ▼, ▲]** buttons (when the **[TEMPO/FUNCTION ▼, ▲]** button's **[TEMPO]** indicator is lit).

#### Adjusting the time signature

The time signature (beat) of the metronome can be set by using the **[-/NO]** and **[+ /YES]** buttons while holding the **METRONOME [ON/OFF]** button. You can set the beat from 0 to 15. The current setting appears on the LED display while you are holding the **METRONOME [ON/OFF]** button.



Beat

A beat setting of “0” plays a low click sound for all beats, while a setting of “1” plays a high click sound for all beats; other beat settings play a high click for the first beat in a measure and a low click for all following beats.

### 2. Stop the metronome.

Turn off the metronome by pressing the **METRONOME [ON/OFF]** button.

#### NOTE

If the **[TEMPO/FUNCTION]** button's **[TEMPO]** indicator is not lit, press the **[TEMPO/FUNCTION]** button to light the **[TEMPO]** indicator.

#### NOTE

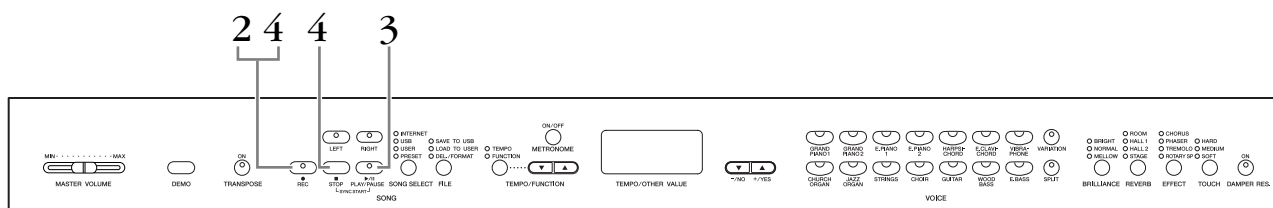
The volume of the metronome can be adjusted via the Metronome Volume function in Function mode (page 67).

# Recording Your Performance

The ability to record and play back what you've played on the instrument can be an effective practice aid. You can, for example, record just the left-hand part, and then practice the right-hand part while playing back the recorded left-hand part. Or, since you can record up to two parts separately, you could record the left-and right-hand parts separately, or record both parts of a duet and hear how they sound when played back. The two-part Song Recorder on the instrument allows the recording of up to three User songs (U01 – U03) to the instrument. User songs can be saved to an optional USB storage device.

## Recording a performance quickly

This convenient and simple recording method lets you quickly record your performance without specifying the recording parts — useful, for example, in recording solo piano pieces. In this way, the performance is automatically recorded to right part.



### CAUTION

**To avoid erasing previously recorded song(s):**

If the song contains data, the part indicator lights up green when you select a song. Note that recording new data on this part will erase the existing data.

You cannot record the performance to the connected USB storage device directly. The recorded songs are saved to the instrument automatically. If you want to save data to the device, perform the Save operation (page 37) after stopping recording.

### TERMINOLOGY

#### Recording vs. Saving:

The format of performance data recorded on a cassette tape differs from that of data recorded on the Clavinova. A cassette tape records audio signals. The Clavinova “saves” information regarding note timing, voices, and a tempo value, but not audio signals. When you play back recorded songs, the Clavinova produces sound based on the saved information. Therefore, recording on the Clavinova may be more accurately called “saving information.” However, this book often uses the word “recording” because it seems to make more sense.

## Procedure

### 1. Make all the initial settings.

Before you begin to record, select the voice you want to record (or voices if you will be using Dual or Split mode). Make any other desired settings (reverb, effect, etc.) as well. You might also want to set the volume.

You can also adjust the playback volume using the [MASTER VOLUME] slider.

### 2. Engage Record Ready mode.

Press the [REC] button to engage Record Ready mode. This automatically selects an empty song for recording and makes the RIGHT part active. If an empty song does not exist, Song U01 will be selected. Recording does not actually start yet.

The SONG [PLAY/PAUSE] indicator will flash at the current METRONOME tempo setting.

You can turn on the metronome in this step, and adjust the tempo by using the [TEMPO/FUNCTION ▼, ▲] buttons. (Range: 32 – 280)

Record Ready mode can be disengaged before recording by pressing the [REC] button again.

### 3. Start recording.

Recording will begin automatically as soon as you play a note on the keyboard or press the SONG [PLAY/PAUSE] button. The current measure's number will appear on the display while recording.



### 4. Stop recording.

Press either [REC] or SONG [STOP] button to stop recording. When recording is stopped, dashes appear in the display in succession to indicate that the recorded data is being saved to the instrument automatically. After the data is saved, the song name (U01 – U03) appears in the display. The recorded part's indicator will glow green to indicate that it now contains data. (Record mode is disengaged automatically.)

#### ⚠ CAUTION

Do not turn off the power of the instrument when dashes appear in the display in succession. Doing so may delete all song data in the instrument, including external songs (page 43).

#### NOTE

When the instrument is in Demo Song mode or during a file operation, Record mode cannot be engaged.

#### NOTE

##### Recording capacity

You can record up to a maximum three songs, or up to a maximum of about 100KB (11,000 Notes) in each song on the instrument depending on pedal usage and other factors.

#### NOTE

If you have selected the LEFT part previously in the same song, the LEFT part will automatically be made active when pressing the [REC] button in step 2.

#### NOTE

If the metronome was on when you started recording, you'll be able to keep time with the metronome while recording, but the metronome sound will not be recorded.

#### NOTE

For more recording information, see page 34.

#### NOTE

The left pedal can be assigned to start recording via the "Left Pedal Mode" function described on page 66.

#### NOTE

If the memory becomes full during recording, "FUL" will appear on the display and recording will stop automatically. (All recorded data up to that point will be retained.)

## Playing back a recorded song

### Procedure

#### 1. Play back the recorded performance.

Press the **SONG [PLAY/PAUSE]** button to play back the recorded performance.

#### 2. Stop the performance.

To stop playback in the middle of a song, press the **SONG [STOP]** button.

## Re-recording a previously recorded song

This section explains how to record again in case your performance was not satisfactory.

### Procedure

#### 1. Select a voice or voices (and other settings) for recording, if necessary.

Repeat Step 1 on page 31 if you wish to change the previous settings.  
For more information of the recorded data see page 34.

#### 2. Re-engage Record Ready mode.

Press the **[REC]** button, again.  
The selected part's indicator lights in red.

Follow the procedure from Step 3 in "Recording a performance quickly" on page 31 to re-record.

##### Deleting a selected part

Pressing the **SONG [PLAY/PAUSE]** button to start recording, then pressing the **SONG [STOP]** button to stop recording will erase all previously recorded data on the selected part.

### NOTE

If you want to change the tempo, reverb type, or effect type when re-recording a part or when recording to another part, do so after you engage Record Ready mode.

You cannot re-record in the middle of a song.



# Recording to RIGHT/LEFT parts

This lets you record the right and left parts separately. Since you can record the left part while playing back the right, this is useful for recording both parts of a duet.

## Procedure

### 1. Make all the initial settings.

Same as step 1 in “Recording a performance quickly” on page 31.

### 2. Select a song to record.

Press the [SONG SELECT] button to light “USER” indicator on, then press the [-/NO][+/YES] buttons to select a song for recording.

#### CAUTION

**To avoid erasing previously recorded song(s):**

If the song contains data, the part indicator lights up green when you select a song. Note that recording new data on this part will erase the existing data.

### 3. Engage Record Ready mode.

Press the [REC] button and press the [RIGHT]/[LEFT] button to engage Record Ready mode. Recording does not actually start yet.

The SONG [PLAY/PAUSE] indicator will flash at the current METRONOME tempo setting.

Record Ready mode can be disengaged before recording by pressing the [REC] button again.

### 4. Start and stop recording.

Same as step 3 – 4 in “Recording a performance quickly” on page 31.

#### NOTE

##### Part button indications

**Off:** Contains no data

**On (green):** Contains data

**On (red):** Part is enabled for recording

#### NOTE

##### Recording capacity

You can record up to a maximum three songs, or up to a maximum of about 100KB (11,000 Notes) in each song on the instrument depending on pedal usage and other factors.

#### NOTE

If the metronome was on when you started recording, you'll be able to keep time with the metronome while recording, but the metronome sound will not be recorded.

#### NOTE

If you want to change the time signature, make sure to change it before entering Record Ready mode.

If you want to change the tempo, reverb type, or effect type when rerecording a part or when recording to another part, do so after entering Record Ready mode.

The Time Signature of a recorded song cannot be changed. If you want to record a song with another Time Signature, first save a song to USB storage (see page 37), and delete the recorded both parts of the song (see page 32, Deleting a selected part), then set the desired time signature, and begin a new recording.

#### NOTE

If you don't want to hear the previously recorded part while you record (for example, when you want to record a song different from what you recorded on the previous part), press the playback part button before pressing the [REC] button so that its indicator is turned off.

For more information on recording, see page 34.

**The user song recorder records the following data:**

Data in addition to the notes and voices you play is recorded.

This data includes “Individual Parts” and “Entire Song.” See below.

**Individual Parts**

- Notes played
- Voice selection
- [VARIATION] ON/OFF (CLP-370/340)
- Pedal (Damper/Soft/Sostenuto)
- [REVERB] depth
- [EFFECT] depth
- Dual mode voices
- Dual balance (F3)
- Dual detune (F3)
- Dual octave shift (F3)
- Split mode voices (F4: CLP-370/340)
- Split balance (F4: CLP-370/340)
- Split octave shift (F4: CLP-370/340)

**Entire Song**

- Tempo
- Time signature (beat)
- [REVERB] type (including OFF)
- [EFFECT] type (including OFF)

## Changing the Initial Settings (Data recorded at the beginning of a song)

The initial settings (data recorded at the beginning of a song) can be changed after the recording. For example, after recording, you can change the voice to create a different ambience or adjust the song tempo to your taste.

You can change the following initial settings.

### Individual Parts

- Voice selection
- [VARIATION] ON/OFF (CLP-370/340)
- [REVERB] depth
- [EFFECT] depth
- Dual mode voices
- Split mode voices (CLP-370/340)
- Damper/soft pedal depth

### Entire Song

- Tempo
- [REVERB] type (including OFF)
- [EFFECT] type (including OFF)

#### 1. Change the settings via the panel controls.

For example, if you wish to change the recorded voice from [E. PIANO 1] to [E. PIANO 2], press the [E. PIANO 2] button.

#### 2. Engage Record mode and select a part to change the initial settings.

The indicator glows red. (Data shared by two parts can be changed via either part.)

#### CAUTION

Be careful not to press the SONG [PLAY/PAUSE] button or a key on the keyboard, either of which will start recording and erase all previously-recorded data on the selected part.

#### 3. Press the [REC] button to exit Record mode.

# Handling Songs with a USB Storage Device

You can handle User songs (save, load, and delete) with a USB storage device. You can also format the device or media.

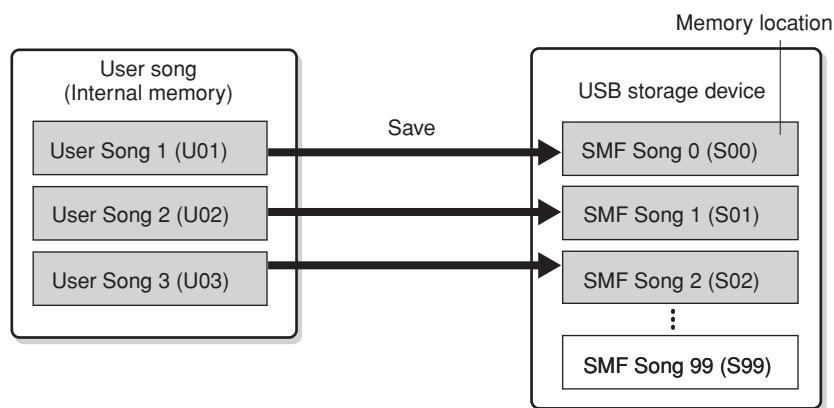
Before using a USB device, read the “Precautions when using the USB TO DEVICE terminal” section on page 41.

## About Save and Load

### Save

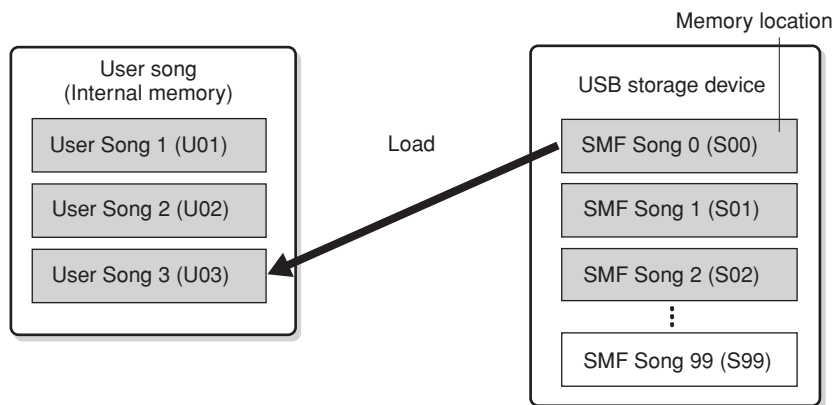
You can save three User songs in the instrument to the USB storage device as SMF song files. These songs can be saved to a “container” (or memory location) in the USB storage device. 100 containers are available — S00 – S99.

Since the User songs are saved in SMF format, they can be played back on other instruments, including other Clavinovas.



### Load

If you want to only play the song in the USB storage device, the following operation is not necessary. For instructions on playing the song, see “Playing Back User Songs from a USB Storage Device” on page 45. The Load operation can be used if you want to edit the recorded song on the instrument. Data can be loaded to User Song 3 (U03).



#### NOTE

For details on connecting a USB storage device, see page 73.

#### NOTE

Before handling songs with a USB storage device, make sure that the device is not protected. If the device is protected, you cannot access it.

#### NOTE

If there is not enough capacity left on the USB storage device to save or export the data, an appropriate message will appear on the display and you will not be able to save or export the data. Delete unwanted files from the device to make more memory available (page 39), or use another device.

#### NOTE

The file numbers which can be handled in this instrument are 100 files.

- SMF song numbers: S00 – S99

#### NOTE

The “S” indication at the top of the User file name represents “SMF.”

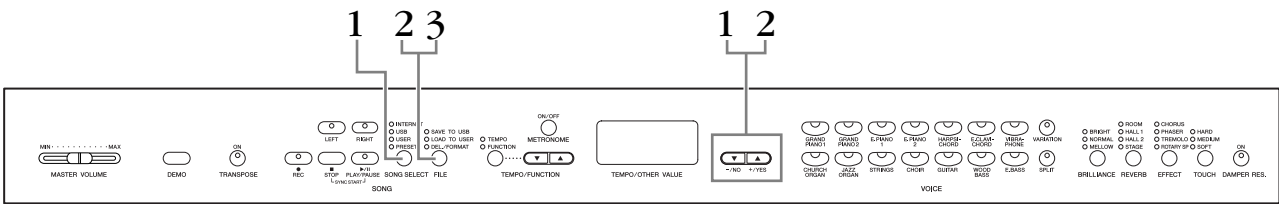
#### TERMINOLOGY

##### SMF (Standard MIDI File):

The SMF (Standard MIDI File) format is one of the most common and widely compatible sequence formats used for storing sequence data. There are two variations: Format 0 and Format 1.

A large number of MIDI devices are compatible with SMF Format 0, and most commercially available MIDI sequence data is provided in SMF Format 0. The SMF format for sequence files allows you to exchange song data between different sequencers. User songs recorded on the Clavinova are SMF Format 0.

# Saving a Song



## Procedure

### 1. Select a User song to save.

Select a User song to save by using the [SONG SELECT] and [-/NO][+/YES] buttons.

### 2. Select a song container in the device and save the User song.

After making sure that the USB storage device is connected to the instrument, press the [FILE] button (the “SAVE TO USB” indicator lights). Then, while holding the [FILE] button, simultaneously press the [-/NO][+/YES] buttons to select a container (S00 – S99). After releasing the [FILE] button, “n y” (no/yes) appears in the display. Press the [+/YES] button to save the songs. The song is saved into the “USER FILES” folder and named as “USERSONGxx.MID.”

#### Overwriting the song

If you select a container which contains an SMF song, three dots appear in the display (ex., “S.0.0.”). If you do not want to overwrite the file, press the [-/NO] button when “n y (no or yes)” appears in the display and select another container. If you want to overwrite the song, press the [+/YES] button. After “n-y” appears in the display again to confirm whether you wish to overwrite the file or not, press the [+/YES] button once more.

#### CAUTION

While the instrument is accessing data (such as during Save, Load, Delete and Format operations) or is mounting the USB storage device (shortly after the connection: until the FILE LOAD LED flash stops), do NOT unplug the USB cable, do NOT remove the media from the device, and do NOT turn the power off to either devices. Doing so may corrupt the data on either or both devices.

### 3. Exit from the file operation mode.

Press the [FILE] button several times to exit the file operation mode. (The FILE indicators turn off.)

Play the recorded song (see page 43).

#### CAUTION

Do not rename User files on a computer. If the file name is changed in this way, the file cannot be loaded to the instrument.

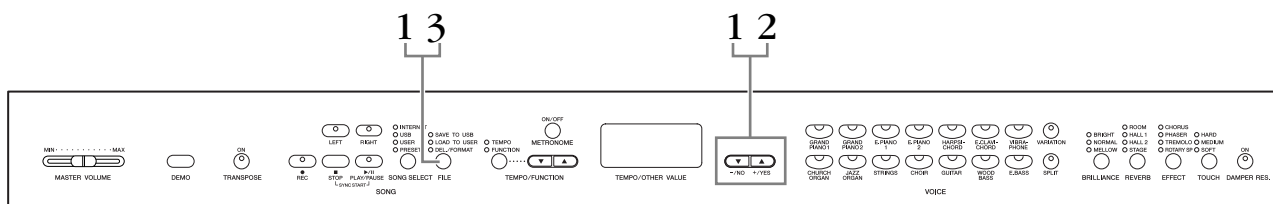
#### NOTE

If the selected song has no data, the song will not be saved (you cannot select a container for SMF songs — S00 – S99). Confirm that the selected song has data by making sure that the indicator of [RIGHT] or [LEFT] is turned on.

#### NOTE

If you move an SMF song from the “USER FILES” folder to the top folder using a computer, the file type will be changed — from a SMF song (S00 – S99) to an External song.

# Loading a Song



## Procedure

### ⚠ CAUTION

If the User file (U03) on the instrument already contains data, this operation can result in overwriting of the data. Make sure to save important data to your computer beforehand.

## 1. Select a song container in the device.

After making sure that the USB storage device is connected to the instrument, press the **[FILE]** button (the “LOAD TO USER.” indicator lights). Then, while holding the **[FILE]** button, press the **[-/NO][+/YES]** buttons to select a song (S00 – S99). Data saved on the instrument can only be loaded back to the instrument.

## 2. Load a song to User Song (U03).

“n y” (no/yes) appears in the display. Press the **[+/YES]** button to load a song. The file will automatically be loaded into the User Song (U03). The indication “-” moves from left to right in display, indicating that save operation is in process.

### ⚠ CAUTION

While the instrument is accessing data (such as during Save, Load, Delete and Format operations) or is mounting the USB storage device (shortly after the connection: until the LOAD TO USER LED flash stops), do NOT unplug the USB cable, do NOT remove the media from the device, and do NOT turn the power off to either devices. Doing so may corrupt the data on either or both devices.

### ⚠ CAUTION

Do not manually change the file name on the USB storage device by using a computer; doing so will render the file unplayable or unable for loading on the instrument.

### ⚠ CAUTION

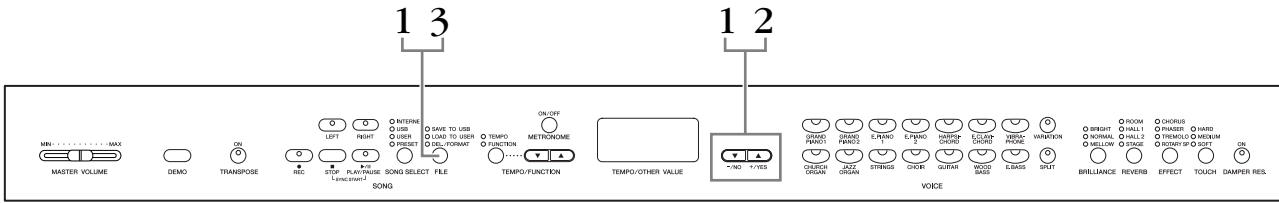
Do not turn off the power to the instrument while flashing dashes appear in the display (indicating the operation is in process). Doing so may damage the data.

When loading is completed, the “End” indication appears in the display, and the song is loaded into the User Song (U03).

## 3. Exit from the load operation mode.

Press the **[FILE]** button to exit the load operation mode. (The “FILE” indicators turn off.)

# Deleting Song Files



## Procedure

### 1. Select a song file to be deleted.

Press the [FILE] button. (The “DEL/FORMAT” indicator lights.) Then, hold the [FILE] button, simultaneously press the [-/NO][+/YES] buttons to select a file to be deleted. Two types of files will be displayed in order:

- **Sxx.....** SMF songs
- **xxx.....** External songs (commercially available songs or songs which have been edited on a computer)

### 2. Delete the file.

After releasing the [FILE] button, “n y (no or yes)” appears in the display. If you want to delete the file, press the [+/YES] button. After “n-y” appears in the display again to confirm whether you wish to delete the file or not, press the [+/YES] button once more.

If you do not want to delete the song, press the [-/NO] button.

### ⚠ CAUTION

While the instrument is accessing data (such as during Save, Delete, Load and Format operations) or is mounting the USB storage device (shortly after the connection: until the LOAD TO USER LED flash stops), do NOT unplug the USB cable, do NOT remove the media from the device, and do NOT turn the power off to either devices. Doing so may corrupt the data on either or both devices.

### 3. Exit from the file operation mode.

Press the [FILE] button to exit the file operation mode. (The FILE indicators turn off.)

#### NOTE

Audition the song to be deleted before deleting. Songs cannot be played back after engaging the Delete mode.

#### NOTE

Only files which contain data will be displayed.

#### NOTE

The following types of songs cannot be deleted. If you try to delete the song, “Pro” (Protected) appears in the display.

- Protected songs (extension: Cxx, Exx or SME)
- Disklavier Piano Soft songs

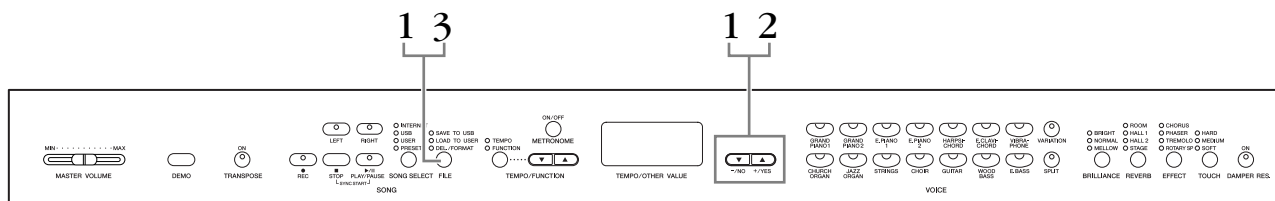
#### NOTE

For SMF songs (Sxx), the song numbers are fixed and not changed by deleting files. However, the song numbers of External songs are not fixed and may be changed by deleting External songs.

# Formatting the USB Storage Device

## **!** CAUTION

If data is already saved to the USB storage device, be careful not to format it. If you format the device, all the previously saved data will be deleted.



## Procedure

### 1. Engage the format mode.

Press the **[FILE]** button. (The “DEL/ FORMAT” indicator lights.) Then, while holding the **[FILE]** button, simultaneously press the **[-/NO]** and **[+/YES]** buttons. When “For” (Format) appears in the display, release the **[FILE]** button to display “n y” (no/yes).

### 2. Execute the format operation.

After “n y” (no/yes) appears in the display, press the **[+/YES]** button. After “n-y” appears in the display again to confirm whether you wish to format the device or not, press the **[+/YES]** button once more. If you do not want to format the device, press the **[-/NO]** button.

## **!** CAUTION

While the instrument is accessing data (such as during Save, Delete, Load and Format operations) or is mounting the USB storage device (shortly after the connection: until the LOAD TO USER LED flash stops), do NOT unplug the USB cable, do NOT remove the media from the device, and do NOT turn the power off to either devices. Doing so may corrupt the data on either or both devices.

### 3. Exit from the format mode.

Press the **[FILE]** button to exit the file operation mode. (The FILE indicators turn off.)



# Handling the USB Storage Device (USB Flash Memory/ Floppy Disk, etc.)

## Precautions when using the USB [TO DEVICE] terminal

This instrument features a built-in **USB [TO DEVICE]** terminal. When connecting a USB device to the terminal, be sure to handle the USB device with care. Follow the important precautions below.

### NOTE

For more information about the handling of USB devices, refer to the owner's manual of the USB device.

## Compatible USB devices

USB storage devices (flash memory, floppy disk drive, hard disk drive, etc.)

The instrument does not necessarily support all commercially available USB devices. Yamaha cannot guarantee operation of USB devices that you purchase. Before purchasing a USB device for use with this instrument, please visit the following web page:

<http://music.yamaha.com/download/>

### NOTE

Other USB devices such as a computer keyboard or mouse cannot be used.

## Connecting USB device

When connecting a USB device to the **USB [TO DEVICE]** terminal, make sure that the connector on the device is appropriate and that it is connected in the proper direction.

### CAUTION

When connecting a USB device to the **USB [TO DEVICE]** terminal on the top panel, remove it before closing the key cover. If the key cover is closed with the USB device connected, the USB device may be damaged.

## Using USB Storage Devices

By connecting the instrument to a USB storage device, you can save data you've created to the connected device, as well as read data from the connected device.

### NOTE

Although CD-R/RW drives can be used to read data to the instrument, they cannot be used for saving data.

## The number of USB storage device to be used

Only one USB storage devices can be connected to the **USB [TO DEVICE]** terminal.

## Formatting USB storage media

When a USB storage device is connected or media is inserted, a message may appear prompting you to format the device/media. If so, execute the Format operation (page 40).

### CAUTION

The format operation overwrites any previously existing data. Make sure that the media you are formatting does not contain important data.

## To protect your data (write-protect)

To prevent important data from being inadvertently erased, apply the write-protect provided with each storage device or media. If you are saving data to the USB storage device, make sure to disable write-protect.

## Connecting/removing USB storage device

Before removing the media from the device, make sure that the instrument is not accessing data (such as in the Save, Copy and Delete operations).

### CAUTION

Avoid frequently turning the power on/off to the USB storage device, or connecting/disconnecting the device too often. Doing so may result in the operation of the instrument "freezing" or hanging up. While the instrument is accessing data (such as during Save, Copy, Delete, Load and Format operations) or is mounting the USB storage device (shortly after the connection), do NOT unplug the USB connector, do NOT remove the media from the device, and do NOT turn the power off to either device. Doing so may corrupt the data on either or both devices.

## Precautions when using the USB [TO HOST] terminal

When connecting the computer to the **USB [TO HOST]** terminal, make sure to observe the following points. Failing to do so risks freezing the computer and corrupting or losing the data. If the computer or the instrument freezes, restart the application software or the computer OS, or turn the power to the instrument off then on again.

### CAUTION

- Use an AB type USB cable of less than about 3 meters.
- Before connecting the computer to the **USB [TO HOST]** terminal, exit from any power-saving mode of the computer (such as suspended, sleep, standby).
- Before turning on the power to the instrument, connect the computer to the **USB [TO HOST]** terminal.
- Execute the following before turning the power to the instrument on/off or plugging/unplugging the USB cable to/from the **USB [TO HOST]** terminal.
  - Quit any open application software on the computer.
  - Make sure that data is not being transmitted from the instrument. (Data is transmitted only by playing notes on the keyboard or playing back a song.)
- While a USB device is connected to the instrument, you should wait for six seconds or more between these operations: (1) when turning the power of the instrument off then on again, or (2) when alternately connecting/disconnecting the USB cable.

# Handling the Floppy Disk Drive (FDD) and Floppy Disks

An optional floppy disk drive can be connected to the USB jack. (CLP-370/340) For instructions on installing a Yamaha UD-FD01 floppy disk drive, see page 91.

The floppy disk drive lets you save original data you've created on the instrument to floppy disk, and allows you to load data from floppy disk to the instrument. Be sure to handle floppy disks and treat the disk drive with care. Follow the important precautions below.

## Floppy Disk Compatibility

- 3.5" 2DD and 2HD type floppy disks can be used.

## Inserting/Removing Floppy Disks

### Inserting a Floppy Disk into the Disk Drive:

Hold the disk so that the label of the disk is facing upward and the sliding shutter is facing forward, towards the disk slot. Carefully insert the disk into the slot, slowly pushing it all the way in until it clicks into place and the eject button pops out.

#### NOTE

Never insert anything but floppy disks into the disk drive. Other objects may cause damage to the disk drive or floppy disks.

## Removing a Floppy Disk

- After checking that the instrument is not accessing\* the floppy disk (checking that the use lamp on the floppy disk drive is off), firmly press the eject button at the upper right of the disk slot all the way in. When the floppy disk is ejected, pull it out of the drive. If the floppy disk cannot be removed because it is stuck, do not try to force it, but instead try pressing the eject button again, or try re-inserting the disk and attempt to eject it again.

\* Access of the disk indicates an active operation, such as recording, playback, or deletion of data. If a floppy disk is inserted while the power is on, the disk is automatically accessed, since the instrument checks whether the disk has data.

### CAUTION

Do not remove the floppy disk or turn off the instrument itself while the disk is being accessed. Doing so may result not only in loss of data on the disk but also damage to the floppy disk drive.

- Be sure to remove the floppy disk from the disk drive before turning off the power. A floppy disk left in the drive for extended periods can easily pick up dust and dirt that can cause data-read and -write errors.

## Cleaning the Disk Drive Read/Write Head

- Clean the read/write head regularly. This instrument employs a precision magnetic read/write head which, after an extended period of use, will pick up a layer of magnetic particles from the disks used that will eventually cause read and write errors.
- To maintain the disk drive in optimum working order Yamaha recommends that you use a commercially-available dry-type head cleaning disk to clean the head about once a month. Ask your Yamaha dealer about the availability of proper head cleaning disks.

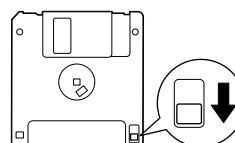
## About Floppy Disks

Handle floppy disks with care, and follow these precautions:

- Do not place heavy objects on a disk or bend or apply pressure to the disk in any way. Always keep floppy disks in their protective cases when they are not in use.
- Do not expose the disk to direct sunlight, extremely high or low temperatures, or excessive humidity, dust or liquids.
- Do not open the sliding shutter and touch the exposed surface of the floppy disk inside.
- Do not expose the disk to magnetic fields, such as those produced by televisions, speakers, motors, etc., since magnetic fields can partially or completely erase data on the disk, rendering it unreadable.
- Never use a floppy disk with a deformed shutter or housing.
- Do not attach anything other than the provided labels to a floppy disk. Also make sure that labels are attached in the proper location.

## To Protect Your Data (Write-protect Tab):

- To prevent accidental erasure of important data, slide the disk's write-protect tab to the "protect" position (tab open). When saving data, make sure that the disk's write-protect tab is set to the "overwrite" position (tab closed).



Write-protect tab open  
(protect position)

# Playing Back Songs

You can play back songs recorded using the Record function (pages 30 – 35) or commercially available songs. You can also play the keyboard along with the playback.

- **The Demo Songs** ..... page 16  
Playing the voice demo tune.
- **50 Piano Preset Songs** ..... page 17  
**50 Piano Preset Songs in the instrument.**
- **User songs in the instrument** ..... page 44  
User songs which you recorded to the instrument by using the record function (pages 30 – 35).
- **External songs in the instrument** ..... page 44  
Songs transferred from a computer (including commercially available songs and songs which have been edited on a computer). Songs can be transferred (saved) to the instrument by using the Musicsoft Downloader software (refer to the included “Accessory CD-ROM Installation Guide”). The songs are saved to an area of the internal memory separate from the area for recorded User songs. Up to 255 songs can be played back on this instrument (numbers 001 – 255).
- **User Songs saved from the instrument in the USB storage device** ..... page 45  
SMF songs which have been saved from the instrument to a USB storage device (page 37).
- **External songs in the USB storage device** ..... page 45  
Commercially available songs or songs which have been edited on a computer, etc. and stored to a USB storage device. Up to 999 songs can be played back on this instrument (numbers 001 – 999).
- **Internet songs from the website (CLP-370/340, CLP-S308/S306)** ..... page 46  
Connect the instrument to the Internet and play back from the Internet.

## Sequence formats that can be played

- **SMF (Standard MIDI File) Formats 0 and 1**  
The SMF format is one of the most common and widely compatible sequence formats used for storing sequence data. There are two variations: Format 0 and Format 1. A large number of MIDI devices are compatible with SMF Format 0, and most commercially available MIDI sequence data is provided in SMF Format 0. The SMF format for sequence files allows you to exchange song data between different sequencers. User songs recorded in this instrument are saved as SMF Format 0.
- **ESEQ**  
This sequence format is compatible with many of Yamaha’s MIDI devices, including the Clavinova series instruments. This is a common format used with various Yamaha software.  
Among ESEQ files, Disklavier Piano Soft songs can be played back on this instrument.

### NOTE

When playing back songs containing various voices or parts (such as XG or GM songs), the voices may not sound correct or as intended on the original. You may be able to remedy this and make the playback sound more natural or appropriate by changing the Song Channel Selection setting (page 66) to “1&2,” so that only channels 1 and 2 will play back.

### NOTE

If the song cannot be selected or loaded, you may need to change the Character Code setting (page 70).

### NOTE

Song data is not transmitted via the MIDI connections. However, channels 3 – 16 of Disklavier Piano Soft songs and non-protected External songs will be transmitted via the MIDI connections when the Song Channel Selection is set to “1&2” (page 66).

### NOTE

For the USB storage device, folder directories on this instrument can be recognized up to two levels. However, the level is not displayed and song numbers 001 – 999 are displayed whichever level the song contains.

### NOTE

If the metronome is being used during playback, the metronome will automatically stop when playback is stopped.

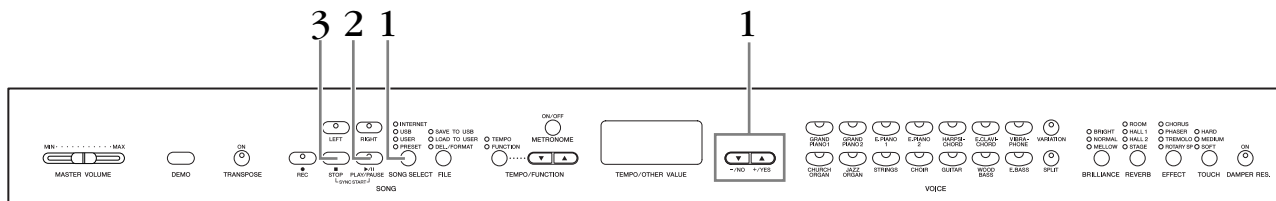
### NOTE

If the REVERB type is changed via the panel controls during playback, both the playback and keyboard reverb effects will be changed.

### NOTE

If the EFFECT type is changed via the panel controls during playback, the playback effect may be switched off in some cases.

# Playing Back User/External Songs on the Instrument



## Procedure

### 1. Select the desired song.

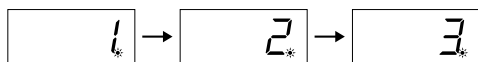
Press the [SONG SELECT] button (the USER indicator lights). Then press the [-/NO] [+ /YES] buttons to select a song. The User songs are displayed as “Uxx\*” and External songs in the instrument are displayed as “xxx.”

\*The “U” indication in the User song name means “User.” The letters “xx” represent the song number.

### 2. Start playback.

Press the SONG [PLAY/PAUSE] button.

The current measure number appears on the display during playback.



- You can play the keyboard while the Clavinova is playing back a song. You can also play the notes in a voice different from the playback voice by selecting a voice from the panel.

#### Adjust the volume

Use the [MASTER VOLUME] slider to adjust the volume.

#### Adjust the tempo

You can use the [TEMPO/FUNCTION ▼, ▲] buttons to adjust the playback tempo as required before or during playback. The default tempo (the song’s original tempo) is set when you press the [▼] and [▲] buttons simultaneously.

### 3. Stop playback.

When playback is complete, the Clavinova automatically stops and locates the top of the song. To stop playback in the middle of a song, press the SONG [STOP] button. You can also pause playback by pressing the SONG [PLAY/PAUSE] button.

#### NOTE

User song playback cannot be started when the recorder contains no data.

#### NOTE

You can also enjoy playing duets with yourself by recording one part of a duet or a song for two pianos, then playing the other part while the recorded part plays back.

#### NOTE

If you have External songs in the instrument, you can use the repeat function.

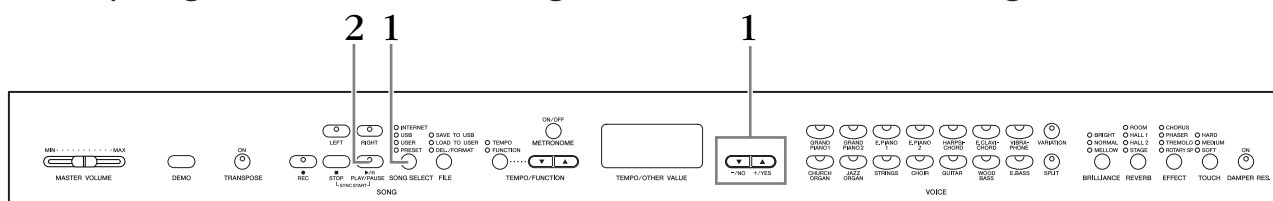
**ALL:** Play all External songs in sequence.

**rnd:** Play all External songs continuously in random order.

#### NOTE

For instructions about how to load the songs from the computer (refer on page 76).

# Playing Back User Songs from a USB Storage Device



## Procedure

### 1. Select the desired song in the USB storage device.

After making sure that the device is connected to the instrument, press the [SONG SELECT] button (the USB indicator lights). Then press the [-/NO] [+ / YES] buttons to select a number of the song you want to play (the number will appear on the LED display “Sxx\*” or “xxx\*”), or select the playing method RND\* or ALL\*.

\*The “S” indication in the display represents “SMF” songs. The letters “xx” represent the song number.

\*The “xxx” indication in the display represents External songs.

**RND (r n d)\*:** Play all preset songs continuously in random order.

**ALL\*:** Play all preset songs in sequence.

### 2. Start and stop playback.

Same as steps 2 and 3 in “Playing Back User/External Songs on the Instrument” on page 44.

## Useful Playback Functions

### Turning part playback on and off

When you select a song on the Clavinova, the indicators for parts that contain data (one of [RIGHT] [LEFT] or both) are lit in green. While the Clavinova is playing or stopped, pressing these part buttons turns off the indicators, and the data on those parts is not played. Pressing the part buttons toggles part playback on and off.

### Starting playback automatically when you start playing the keyboard (Sync Start)

You can start playback as soon as you start playing the keyboard. This is called the “Sync Start” function.

To engage the Sync Start function, press the SONG [PLAY/PAUSE] button while holding down the SONG [STOP] button. The SONG [PLAY/PAUSE] lamp will flash at the current tempo.

(Repeat the previous operation to disengage the Sync Start function.)

Playback will then start as soon as you begin playing on the keyboard.

This function is useful when you wish to match the timing of the beginning of the playback sound and the start of your own performance.

### Assigning the PLAY/PAUSE function to the left pedal

The left pedal can also be assigned to song play/pause operation via the “Left Pedal Mode” (page 66). This is convenient for starting playback of the song anytime after you have started playing.

#### NOTE

Parts can be turned on or off before or during playback.

#### TERMINOLOGY

##### Sync:

Synchronized; occurring at the same time

# Internet Direct Connection (CLP-370/340, CLP-S308/S306)

This feature lets you directly connect your instrument to the Internet. A service in the special Yamaha website enables you to play back a range of songs (song data) in various musical genres as background music.

Here in this section, you may come across some unfamiliar terms and phrases related to computers and online communications. To look up the meaning of these terms, refer to the “Glossary of Internet Terms” on page 57.

## Setting up the Instrument for Internet Connection

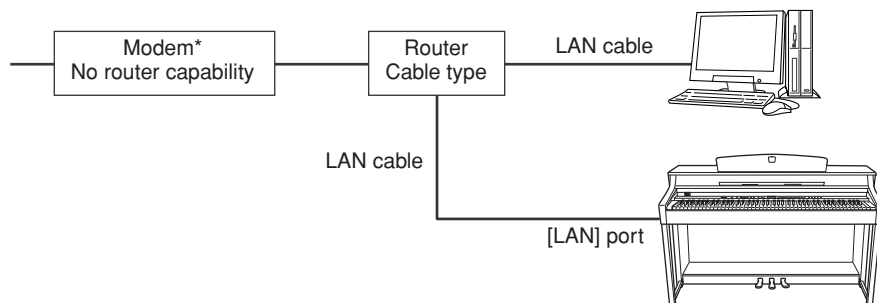
You can connect the instrument to a full-time online connection (ADSL, optical fiber, cable Internet, etc.) via a router or a modem equipped with a router. For the latest services and the specific instructions on connecting (as well as information on compatible devices etc.), refer to the Yamaha website:

<http://music.yamaha.com/idc/>

Use a computer to connect to the Internet and get online before connecting the instrument, since no modem or router settings can be made from the instrument itself.

To use the Internet connection, you will first need to subscribe to an Internet service or provider.

### Connection example 1: Connecting by cable (using a modem without router)



\* Here, “modem” refers to an ADSL modem, optical network unit (ONU) or cable modem.

#### NOTE

Depending on the Internet connection, you may not be able to connect to two or more devices (for example, a computer and the instrument), depending on the contract with the provider. This means you cannot connect with the instrument. If in doubt, check your contract or contact your provider.

#### NOTE

Connect the LAN cable to the [LAN] port.

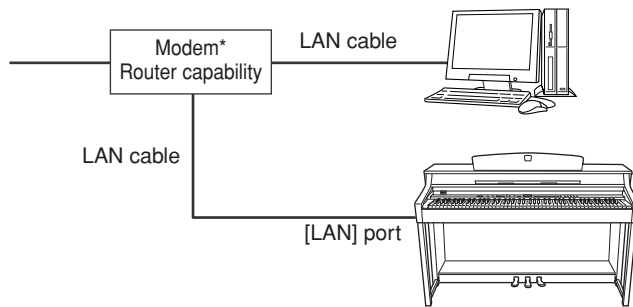
#### NOTE

Some types of modems require an optional Ethernet hub network for simultaneously connecting to several devices (such as computer, musical instrument, etc.).

#### NOTE

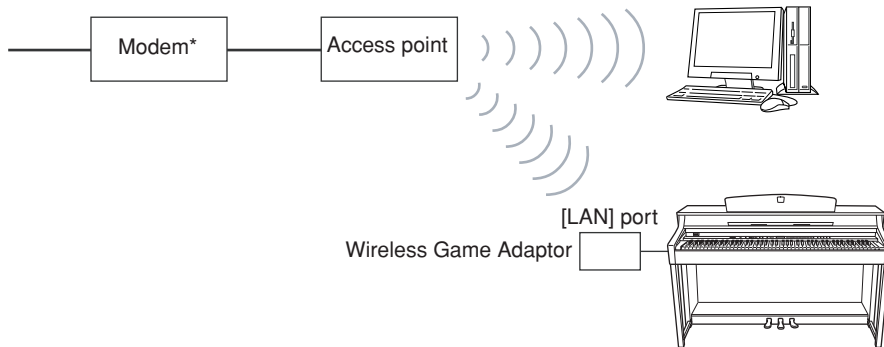
Due to EU regulations, users within Europe should use an STP (shielded twisted pair) cable to prevent electromagnetic interference.

**Connection example 2: Connecting by cable (using a modem with router)**



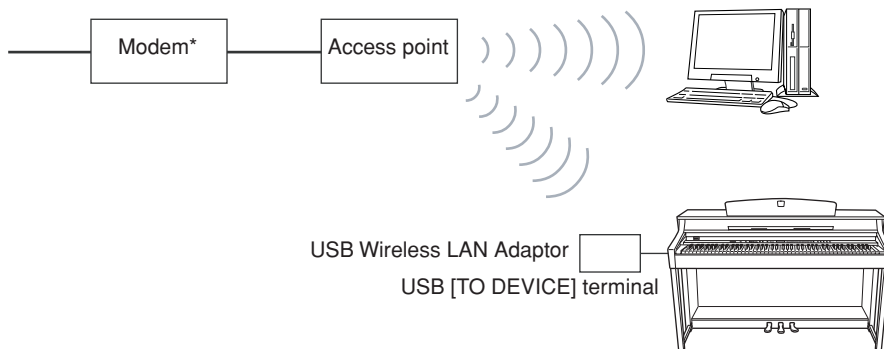
\* Here, "modem" refers to an ADSL modem, optical network unit (ONU) or cable modem.

**Connection example 3: Wireless connection (using a wireless game adaptor)**



\* Here, "modem" refers to an ADSL modem, optical network unit (ONU) or cable modem.

**Connection example 4: Wireless connection (using a USB wireless LAN adaptor)**



\* Here, "modem" refers to an ADSL modem, optical network unit (ONU) or cable modem.

**NOTE**  
Connect the LAN cable to the [LAN] port.

**NOTE**  
Connect the wireless game adaptor to the [LAN] port.

**NOTE**  
In addition to the modem or an access point, this connection requires a router.

**NOTE**  
Connect the USB wireless LAN adaptor to the USB [TO DEVICE] terminal.

**NOTE**  
In addition to the modem or an access point, this connection requires a router.

**NOTE**  
This instrument is encrypted in WEP format only.

# Connecting the Instrument to the Internet

## **If you are using a connection by cable (using DHCP):**

You do not need to make settings on the instrument. You can access the Internet simply by connecting a router or a modem equipped with a router to the instrument via a LAN cable.

Once the instrument is successfully connected to the Internet, currently selected channel will be shown on the display when you select the "INTERNET" lamp with the [SONG SELECT] button.

You can play back the songs on the Internet using the service. For instructions on playing back songs, see "Listening to the Songs on Internet" on page 56.

### **NOTE**

The most common routers and modems equipped with a router have a DHCP function.

## **If you are using a connection by cable (using static IP address, proxy server):**

You need to make Internet settings on the instrument.

For instructions on making Internet settings, see "About the Internet Settings" on page 49.

## **If you are using a wireless LAN (using a wireless game adaptor):**

You do not need to make settings on the instrument.

You can access the Internet simply by connecting a wireless game adaptor to the instrument.

\* The wireless game adaptor requires settings such as the access point. For information about how to make settings, read the owner's manual for the product you are using.

Once the instrument is successfully connected to the Internet, currently selected channel will be shown on the display when you select the "INTERNET" lamp with the [SONG SELECT] button.

You can play back the songs on the Internet using the service. For instructions on playing back songs, see "Listening to the Songs on Internet" on page 56.

## **If you are using a wireless LAN (using a USB wireless LAN adaptor):**

You need to make Internet settings from a computer; settings cannot be made on the instrument.

For instructions on making Internet settings, see "About the Internet Settings" on page 49.



# About the Internet Settings

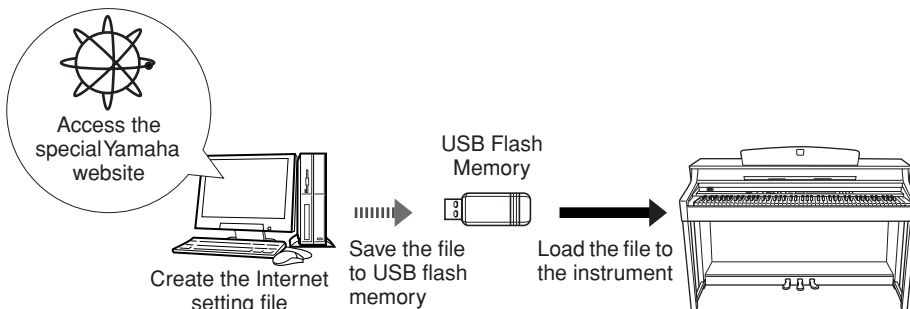
You can conveniently make Internet settings for your instrument from the special Yamaha website.

If you select a wireless connection using the USB wireless LAN adaptor or a connection by cable (using static IP address or proxy server), you need to make Internet settings explained as follows.

## Internet Settings

When you use the Internet Direct Connection (IDC) for the first time, you should make the Internet settings according to the following illustration flow.

This flow is shown to make you easily understand how to load the setting file created by the computer to your instrument. By following this flow, you won't need to make difficult settings such as typing various data on your instrument.



For details, refer to the Yamaha webpage:  
<http://music.yamaha.com/idc/>

## Creating the Internet Setting Files

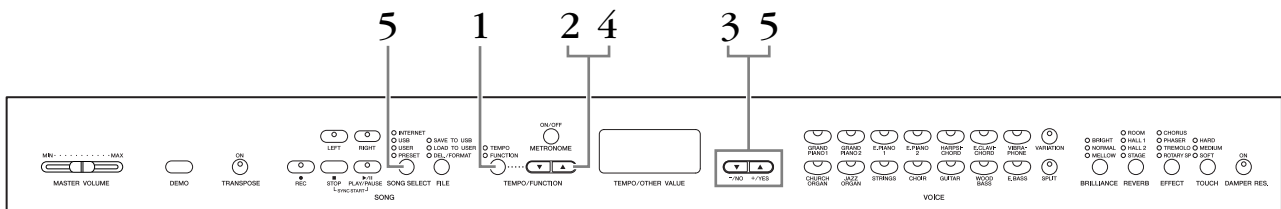
You need to create the Internet setting files on the special Yamaha webpage using your computer before making the Internet settings.

For information about how to create the Internet setting files, read the instructions on the Yamaha webpage:

<http://music.yamaha.com/idc/>

## Loading the Internet Setting Files

This procedure lets you make Internet settings by loading the Internet setting files created on the special Yamaha webpage to the instrument.



## Procedure

### 1. Engage the Function mode.

Make sure that the USB flash memory device containing the saved Internet setting file named "config.n21" is connected to the instrument, and then press the [TEMPO/FUNCTION] button so that the [FUNCTION] indicator lights.

### NOTE

You do not need to make the Internet settings here if you are using a connection by cable (using DHCP) or a wireless LAN (using a wireless game adaptor).

### NOTE

The Internet settings will be backed up.

### NOTE

You can create the Internet setting files (named "config.n21") on the special Yamaha webpage.

### NOTE

The Load mode cannot be engaged while voice demo song playback is in use, when the [REC] button is on, or when user song playback is active.

## 2. Select Function F9.y (on the CLP-370/340) or F8.y (on the CLP-S308/S306).

Use the [TEMPO/FUNCTION ▼, ▲] buttons to select Function F9.y (CLP-370/340) or F8.y (CLP-S308/S306).

## 3. Enter the Sub-modes Selection mode following the F9 or F8.

Press the [+ / YES] button to enter the Sub-modes Selection mode.

## 4. Select Function F9.1 (on the CLP-370/340) or F8.1 (on the CLP-S308/S306).

Use the [TEMPO/FUNCTION ▼, ▲] buttons to select Function F9.1 (CLP-370/340) or F8.1 (CLP-S308/S306).

If you do not want to load the file, press the [- / NO] button.

## 5. Start loading.

Press the [+ / YES] button.

After “n-y” appears in the display again to confirm whether you wish to load the file or not, press the [+ / YES] button once more.

If you do not want to load the file, press the [- / NO] button.

When loading from the USB flash memory device is completed, an “End” message will appear on the display. Press [- / NO] or [+ / YES] button to exit from this display.

Once loading is completed, you are now ready to access the Internet.

Once the instrument is successfully connected to the Internet, currently selected channel will be shown on the display when you select “INTERNET” lamp with the [SONG SELECT] button.

For instructions on listening to the songs, see “Listening to the Songs on Internet” on page 56.

### NOTE

If loading is not successfully completed, an “Err” message and the error code will appear alternately on the display.

To return to the previous indication, press the [- / NO] or [+ / YES] button.

### NOTE

#### Error Code

You can check the description for the error code on the Yamaha website:

<http://music.yamaha.com/idc/>

### NOTE

Yamaha recommends that you back up the Internet setting files (page 78).

# Checking the field strength (when using a USB wireless LAN adaptor)

You can check the field strength on the display, if you are using a USB wireless LAN adaptor (Connection example 4 on page 47).

Engage the function mode, then select the function number and enter the desired Sub-modes Selection mode (refer to steps 1 – 3 for similar instructions on page 49).

## Procedure

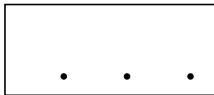
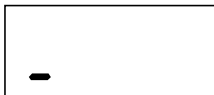

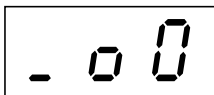

### 1. Select Function F9.3 (on the CLP-370/340) or F8.3 (on the CLP-S308/S306).

Use the [TEMPO/FUNCTION ▼, ▲] buttons to select Function F9.3 (CLP-370/340) or F8.3 (CLP-S308/S306).

### 2. Press the [-/NO] or [+/YES] button

The field strength indication will appear on the display for about three seconds.

#### Field Strength Indications

| Radio Status             | Display   |
|--------------------------|---|
| No signal is present.    |  |
| Field strength: Weak     |  |
| Field strength: Medium   |  |
| Field strength: Strong   |  |
| No wireless LAN is used. |  |

#### NOTE

The field strength can be displayed after making the Internet connection.

#### NOTE

If you are using a wireless game adaptor, the display pattern for "No wireless LAN is used" will appear.

# Exporting the Connection Information

This procedure lets you export the detailed information on the current connection as a text file to a USB flash memory device. You can check the information on your computer.

Engage the function mode, then select the function number and enter the desired Submodes Selection mode (refer to steps 1 – 3 for similar instructions on page 49).

## Procedure

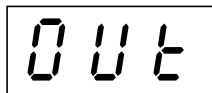
### 1. Select Function F9.2 (on the CLP-370/340) or F8.2 (on the CLP-S308/S306).

Use the [TEMPO/FUNCTION ▼, ▲] buttons to select Function F9.2 (CLP-370/340) or F8.2 (CLP-S308/S306).

### 2. Turn on the Export mode.

Press the [+ / YES] buttons so that “OUt” appears on the display.

If you do not want to export the file, press the [- / NO] button.



### 3. Start exporting.

Press the [+ / YES] button.

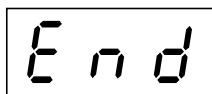
A “n y” appears in the display to confirm whether you wish to export the file or not, press the [+ / YES] button again.

If you do not want to export the file, press the [- / NO] button.

A “n y” message will appear on the display if a USB flash memory device contains a file with the same name as the one you are attempting to export.

Press the [+ / YES] button to execute the overwriting operation. Press the [- / NO] button to cancel exporting.

When exporting to the USB flash memory device is completed, an “End” message will appear on the display. Press [- / NO] or [+ / YES] button to exit from this display.



After exporting, connect the USB flash memory device to your computer, and then open the text file named “ConnectionInfo.txt” in the root directory of the USB flash memory device to check the detailed connection information.

#### NOTE

The connection information file does not allow you to manually make Internet settings. The connection information file is set to “read only” and cannot be edited.

#### NOTE

The export mode cannot be engaged while voice demo song playback is in use, when the [REC] button is on, or when user song playback is active.

#### NOTE

If exporting has not successfully been completed, an “Err” message and the error code will appear alternately on the display.

#### NOTE

##### Error Code

You can check the description for the error code on the Yamaha website:

<http://music.yamaha.com/idc/>

## Other Internet Operations

### Checking the version number of the instrument

You can check the version number of this instrument.

Engage the function mode, then select the function number and enter the desired Sub-modes Selection mode (refer to steps 1 – 3 for similar instructions on page 49).

#### Procedure

1. **Select Function [F9.4] (on the CLP-370/340) or F8.4 (on the CLP-S308/S306).**  
Use the [TEMPO/FUNCTION ▼, ▲] buttons to select Function F9.4 (CLP-370/340) or F8.4 (CLP-S308/S306).
2. **Call up the version number.**  
Press the [+ / YES] button so that the version number appears on the display. A “PrG” message and version number “x.xx” will appear alternately on the display.
3. **Return to the Sub-modes Selection mode**  
Press the [+ / YES] button to exit from the sub-modes.
4. **Exit from the Function mode**  
Press the [TEMPO/FUNCTION] button to exit from function modes.

### Checking the version number of the LAN Port driver

You can check the version number of the LAN Port driver.

Engage the function mode, then select the function number and enter the desired Sub-modes Selection mode (refer to steps 1 – 3 for similar instructions on page 49).

#### Procedure

1. **Select Function F9.5 (on the CLP-370/340) or F8.5 (on the CLP-S308/S306).**  
Use the [TEMPO/FUNCTION ▼, ▲] buttons to select Function F9.5 (CLP-370/340) or F8.5 (CLP-S308/S306).
2. **Call up the version number.**  
Press the [+ / YES] button so that the version number appears on the display. A “L-P” message and version number “x.x.x” will appear alternately on the display.
3. **Return to the Sub-modes Selection mode**  
Press the [+ / YES] button to exit from the Sub-modes.
4. **Exit from function mode**  
Press the [TEMPO/FUNCTION] button to exit from the Function modes.

## **Checking the version number of the USB-LAN Adapter driver**

You can check the version number of the USB-LAN Adapter driver.

Engage the function mode, then select the function number and enter the desired Sub-modes Selection mode (refer to steps 1 – 3 for similar instructions on page 49).

### **Procedure**

- 1. Select Function F9.6 (on the CLP-370/340) or F8.6 (on the CLP-S308/S306).**

Use the [TEMPO/FUNCTION ▼, ▲] buttons to select Function F9.6 (CLP-370/340) or F8.6 (CLP-S308/S306).

- 2. Call up the version number.**

Press the [+ / YES] button so that the version number appears on the display. A “L-A” message and version number “x.x.x” will appear alternately on the display.

- 3. Return to the Sub-modes Selection mode**

Press the [+ / YES] button to exit from the Sub-modes.

- 4. Exit from function mode**

Press the [TEMPO/FUNCTION] button to exit from the Function modes.

## Initializing Internet Settings

You can initialize the Internet settings.

Engage the function mode, then select the function number and enter the desired Sub-modes Selection mode (refer to steps 1 – 3 for similar instructions on page 49).

### Procedure

**1. Select Function F9.7 (on the CLP-370/340) or F8.7 (on the CLP-S308/S306).**

Use the [TEMPO/FUNCTION ▼, ▲] buttons to select Function F9.7 (CLP-370/340) or F8.7 (CLP-S308/S306).

**2. Enter the Initializing mode.**

Press the [+ / YES] buttons.

A “CLR” message will appear on the display.

**3. Confirm the initialization.**

Press the [+ / YES] button.

A “n y” appears in the display to confirm whether you wish to initialize or not.

If you do not want to initialize, press the [- / NO] button.

**4. Execute the initialization.**

Press again the [+ / YES] buttons.

Start the initialization.

When initialization is completed, an “End” message appears on the display.

**5. Return to the Sub-modes Selection mode**

Press the [+ / YES] button to exit from the Sub-modes.

**6. Exit from function mode**

Press the [TEMPO/FUNCTION] button to exit from the Function modes.

### CAUTION

Initializing restores the instrument to the factory-programmed settings for all Internet settings. Yamaha recommends you that you back up the Internet settings before initializing.

## Internet Initial Settings List

The following are the default settings of this instrument.

|              |                   |
|--------------|-------------------|
| DHCP         | ON (available)    |
| Wireless LAN | OFF (no settings) |
| Proxy server | OFF (no settings) |

### NOTE

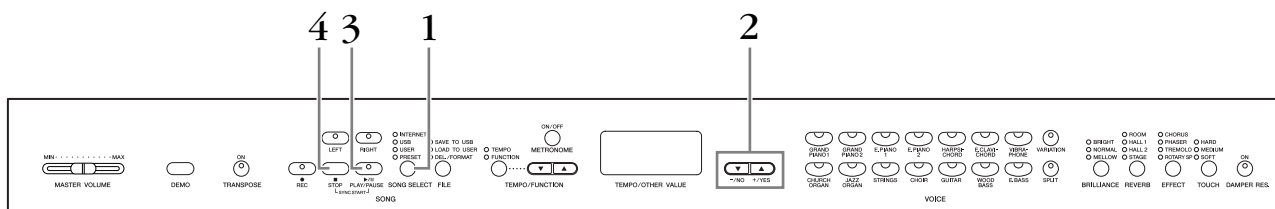
The settings of the Internet are not initialized when using the “Initializing the data” on page 58.

### NOTE

Information of the cookies will be initialized at the same time.

# Listening to the Songs on Internet (CLP-370/340, CLP-S308/S306)

Yamaha provides a special website with data service that enables you to play back a range of songs (song data) in various musical genres as background music on your instrument.  
 Before connect the instrument to the Internet, be sure to read “Internet Direct Connection” on page 46.



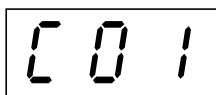
## Procedure

### 1. Turn on the “INTERNET” lamp.

Make sure that the instrument is connected to the Internet, then press the [SONG SELECT] button (the INTERNET indicator lights). The “INTERNET” access lamp flashes in red during Internet access.

### 2. Change the Channel.

Press the [-/NO] or [+ /YES] button to change the channel. The current channel setting appears on the display.



### 3. Start playback.

Press the SONG [PLAY/PAUSE] button to start playback (the “INTERNET” access lamp flashes in red during Internet access).

### 4. Stop playback.

Press the SONG [STOP] button.

#### NOTE

You cannot select the “INTERNET” lamp while voice demo song playback is in use or the [REC] button is on.

#### NOTE

The LED displays shown in this owner’s manual are for instructional purposes only and may appear somewhat different from those on your instrument.

#### NOTE

You can adjust the Effect Type (page 23) that is applied to the voice you play on the keyboard as well as for the song on Internet playback. The Touch sensitivity (page 24) for the keyboard voice can also be adjusted to your liking. You can also change the Brilliance type (page 22) and Reverb type (page 22) that are applied to Internet song playback.

#### NOTE

When you select a different song (or a different song is selected during chained playback), an appropriate Reverb Type will be selected accordingly.

#### NOTE

Song data from the Internet is not transmitted via the MIDI connectors.

#### NOTE

The Synchro start function, Part settings and A-B Repeat function becomes effective after you play back the song once.



# Glossary of Internet Terms

|  |  |
|--|--|
| <b>Access point</b>  | A device that acts as a communication hub for multiple wireless devices, and conventionally enables both wired and wireless LAN connections.   |
| <b>Broadband</b>   | An Internet connection technology/service (such as ADSL and optical fiber) that allows for high-speed, high-volume data communication.   |
| <b>Browser</b>   | The software used to search for, access, and view web pages. For this instrument, this refers to the display that shows the contents of the web pages.   |
| <b>Cookie</b>  | A system that records certain information that the user transfers when visiting a website and using the Internet. The function is similar to a preference file in a conventional computer program, in that it “remembers” certain information such as your user name and password, so you don’t have to re-enter the information each time you visit the site.   |
| <b>DHCP</b>  | This is a standard or protocol by which IP addresses and other low-level network configuration information can be dynamically and automatically assigned each time connection is made to the Internet.   |
| <b>Download</b>  | Transferring data over a network, from a larger “host” system to a smaller “client” system’s hard drive or other local storage device—much like copying files from your hard disk drive to a floppy disk. For this instrument, this refers to the process of transferring Song and other data from a website to the instrument.  |
| <b>Home page</b>   | The first page shown when opening a browser and connecting to the Internet. This phrase is also used to mean the “front screen” or top page of a website.  |
| <b>Internet</b>  | A huge network made up of networks, the Internet allows high-speed data transfer among computers, mobile phones and other devices.   |
| <b>IP address</b>  | A string of numbers assigned to each computer connected to a network, and indicating the device’s location on the network.   |
| <b>LAN</b>   | Short for Local Area Network, this is a data-transfer network that connects a group of computers at a single location (such as an office or home) by means of a special cable.   |
| <b>Link</b>  | Location information in other sentences and images, etc. that are under buttons and character strings on a web page. When the place with the link is clicked, the page selection jumps to the relevant link.   |
| <b>Modem</b>   | A device which connects and allows data transfer between a conventional telephone line and a computer. It converts the digital signals from the computer to analog audio for sending over the phone line, and vice versa.  |
| <b>Provider</b>  | A communications business that offers Internet connection services. In order to connect to the Internet, it is necessary to contract to a provider.  |
| <b>Proxy</b>   | A proxy server is a server that all computers on a local network have to go through before accessing information on the Internet. It intercepts all or designated requests to the real server to see if it can fulfill the requests itself. If not, it forwards the request to the real server. Proxy servers are used to improve performance and speed, and to filter requests, usually for security and to prevent unauthorized access to an internal network. |
| <b>Router</b>  | A device for connecting multiple computer networks. For example, a router is necessary when connecting several computers in a house or office, and allow them to all access the Internet and share data. A router is usually connected between a modem and a computer, although some modems have a built-in router.  |
| <b>Server</b>  | A hardware system or computer used as a central point for a network, providing access to files and services.   |
| <b>Site</b>  | Short for “website,” this refers to the group of web pages that are opened together. For example, the collection of web pages whose addresses begin with “http://www.yamaha.com/” is referred to as the Yamaha site.   |
| <b>SSL</b>   | Short for Secure Sockets Layer, a standard for transmitting confidential data such as credit card numbers over the Internet.   |
| <b>URL</b>   | Short for Uniform Resource Locator, a string of characters used to identify and link to specific websites and pages on the Internet. A complete URL usually starts with the characters “http://.”  |
| <b>Web page</b>  | Refers to each individual page that makes up a website.  |
| <b>WEP</b>   | Short for Wired Equivalent Privacy, a security protocol for wireless networks. WEP protects communication contents from being intercepted.   |
| <b>Wireless LAN</b>  | A LAN connection that allows data transfer through a wireless, cable-free connection.  |
| <b>Wireless Game Adaptor (Wireless Ethernet Converter or Bridge)</b> | Device that allows easy wireless connection with digital consumer electronic devices, printers, and game machines, etc. equipped with [LAN] ports.   |

## Initializing the data

 **CAUTION**

When you initialize the data, all panel settings and song data will be erased and reset to the default settings. Yamaha recommends you that you back up the data before initializing (refer on page 78).

**Turn off the power to the instrument. Then turn the power on while holding the C7 key (highest key).**

 **CAUTION**

Do not turn off the power to this instrument while data in internal memory is being initialized (in other words, while the “CLr” indication is shown). Doing so may corrupt the all data on the instrument.

# Detailed Settings — [FUNCTION]

You can set various parameters to make the best use of Clavinova functions, such as fine tuning the pitch or selecting a scale, etc.

The following parameters are available.

The CLP-370/340 has nine main functions, and the CLP-330 has seven main functions, and the CLP-S308/S306 has eight main functions.

Some of these main functions consist of a set of sub-modes.

## Parameter List

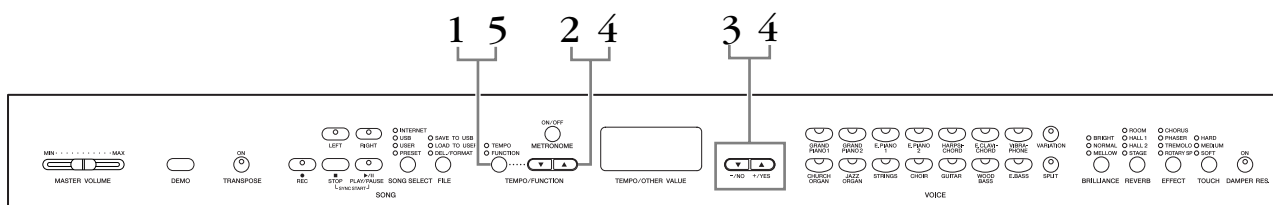
| Function                        | Sub-Mode                        | CLP-370/<br>340 | CLP-330 | CLP-S308/<br>S306 | Reference<br>page |
|---------------------------------|---------------------------------|-----------------|---------|-------------------|-------------------|
| <b>Fine tuning of the pitch</b> | —                               | F1              | F1      | F1                | 62                |
| <b>Selecting a scale</b>        | Scale                           | F2.1            | F2.1    | F2.1              | 63                |
|                                 | Base Note                       | F2.2            | F2.2    | F2.2              | 63                |
| <b>Dual mode functions</b>      | Dual Balance                    | F3.1            | F3.1    | F3.1              | 64                |
|                                 | Dual Detune                     | F3.2            | F3.2    | F3.2              | 64                |
|                                 | Voice 1 Octave Shift            | F3.3            | F3.3    | F3.3              | 64                |
|                                 | Voice 2 Octave Shift            | F3.4            | F3.4    | F3.4              | 64                |
|                                 | Voice 1 Effect Depth            | F3.5            | F3.5    | F3.5              | 64                |
|                                 | Voice 2 Effect Depth            | F3.6            | F3.6    | F3.6              | 64                |
|                                 | Reset                           | F3.7            | F3.7    | F3.7              | 64                |
| <b>Split mode functions</b>     | Split Point                     | F4.1            | —       | —                 | 65                |
|                                 | Split Balance                   | F4.2            | —       | —                 | 65                |
|                                 | Right Voice Octave Shift        | F4.3            | —       | —                 | 65                |
|                                 | Left Voice Octave Shift         | F4.4            | —       | —                 | 65                |
|                                 | Right Voice Effect Depth        | F4.5            | —       | —                 | 65                |
|                                 | Left Voice Effect Depth         | F4.6            | —       | —                 | 65                |
|                                 | Damper Pedal Range              | F4.7            | —       | —                 | 65                |
|                                 | Reset                           | F4.8            | —       | —                 | 65                |
| <b>Other Functions</b>          | Left Pedal Mode                 | F5.1            | F4.1    | F4.1              | 66                |
|                                 | Soft Pedal Effect Depth         | F5.2            | F4.2    | F4.2              | 66                |
|                                 | Sustain Sample Depth            | F5.3            | —       | —                 | 66                |
|                                 | Keyoff Sample Volume            | F5.4            | —       | —                 | 66                |
|                                 | Song Channel Selection          | F5.5            | F4.3    | F4.3              | 66                |
| <b>Metronome volume</b>         | —                               | F6              | F5      | F5                | 67                |
| <b>MIDI Functions</b>           | MIDI Transmit Channel Selection | F7.1            | F6.1    | F6.1              | 67                |
|                                 | MIDI Receive Channel Selection  | F7.2            | F6.2    | F6.2              | 68                |
|                                 | Local Control ON/OFF            | F7.3            | F6.3    | F6.3              | 68                |
|                                 | Program Change ON/OFF           | F7.4            | F6.4    | F6.4              | 68                |
|                                 | Control Change ON/OFF           | F7.5            | F6.5    | F6.5              | 68                |
|                                 | Panel/Status Transmit           | F7.6            | F6.6    | F6.6              | 69                |
|                                 | Initial Setup Send              | F7.7            | F6.7    | F6.7              | 69                |
| <b>Backup Functions</b>         | Voice                           | F8.1            | F7.1    | F7.1              | 70                |
|                                 | MIDI                            | F8.2            | F7.2    | F7.2              | 70                |
|                                 | Tuning                          | F8.3            | F7.3    | F7.3              | 70                |
|                                 | Others                          | F8.4            | F7.4    | F7.4              | 70                |
| <b>Character Code</b>           | —                               | F8.5            | F7.5    | F7.5              | 70                |

| Function        | Sub-Mode                             | CLP-370/340 | CLP-330 | CLP-S308/S306 | Reference page |
|-----------------|--------------------------------------|-------------|---------|---------------|----------------|
| LAN Settings    | Loading Internet Setting File        | F9.1        | —       | F8.1          | 49             |
|                 | Exporting The Connection Information | F9.2        | —       | F8.2          | 52             |
|                 | Checking the Field Strength          | F9.3        | —       | F8.3          | 51             |
| Program Version | Program Version                      | F9.4        | —       | F8.4          | 53             |
| LAN Functions   | LAN port driver version              | F9.5        | —       | F8.5          | 53             |
|                 | USB-LAN Adapter version              | F9.6        | —       | F8.6          | 54             |
|                 | Initializing Internet Settings       | F9.7        | —       | F8.7          | 55             |

## Basic Procedure in Function Mode

Follow the steps below to use the functions.

(If you become lost while using a function, return to this page and read the basic procedure.)



### Procedure

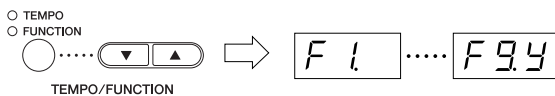
#### 1. Engage the Function mode.

Press the [TEMPO/FUNCTION] button so that its [FUNCTION] indicator lights.

[F\*.\*] will appear on the display. (The indication of “\*.\*” varies depending on the status of the unit and usage.)

#### 2. Select a function.

Use the [TEMPO/FUNCTION ▼, ▲] buttons to select the desired function from F1 – F9 (CLP-370/340), F1 – F7 (CLP-330), F1 – F8 (CLP-S308/S306).



#### 3. Use the [-/NO] [+ /YES] buttons.

If the function does not include sub-modes, jump to Step 4.

If the function includes sub-modes, press the [+ /YES] button once to enter the respective sub-mode.

#### NOTE

Functions cannot be selected during Demo/Song Select/ file operation mode or when the user song recorder is in operation.

#### NOTE

To exit the Function mode, press [FUNCTION] button any time.

#### NOTE

After you select the function, the current setting will be displayed when the [-/NO] or [+ /YES] button is pressed for the first time.

## 4. Operate the desired function using the following two buttons.

[TEMPO/FUNCTION ▼, ▲]

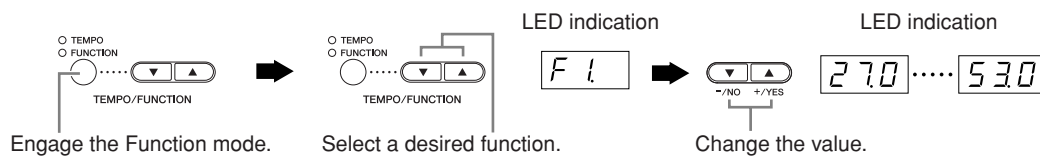
Selects the desired function/sub-mode.

[-/NO] or [+ /YES]

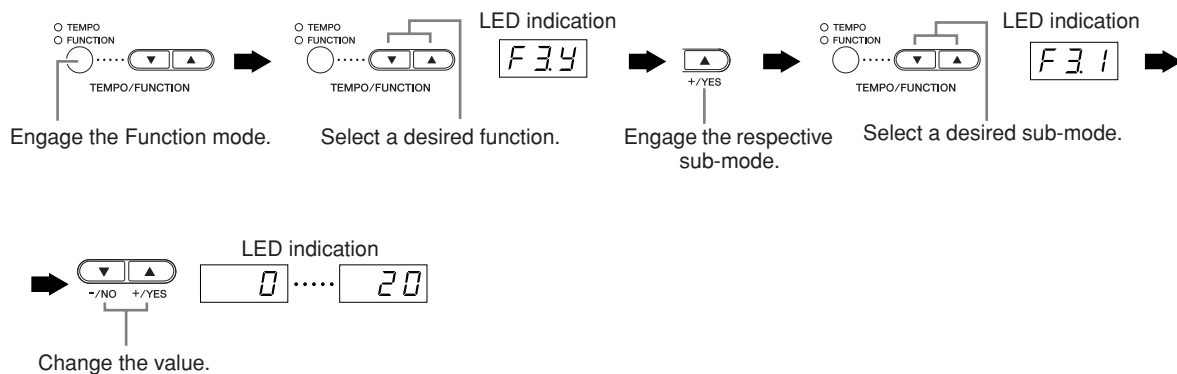
After you select the desired function or sub-mode, set the ON/OFF, select the type, or change the value, accordingly.

Depending on the setting, the default setting (which is used when you first turn on the power to the Clavinova) is recalled by pressing the [-/NO] and [+ /YES] buttons simultaneously.

### Operation Example 1 (F1. Fine tuning of the pitch)



### Operation Example 2 (F3.1 "Dual Balance")



## 5. After using the function, exit the function mode.

To exit the Function mode, press the [TEMPO/FUNCTION] button so that its [TEMPO] indicator lights.

# About Each Function

## F1. Fine Tuning of the Pitch

You can fine tune the pitch of the entire instrument. This function is useful when you play the Clavinova along with other instruments or CD music.

1. Engage the Function mode and select **[F1]**.
2. Use the **[-/NO]** and **[+/YES]** buttons to lower or raise the pitch of the A3 key in approximately 0.2 Hz increments.

The value appears two-digit number and one decimal place.

Ex. 440.2Hz is shown as 40.2 on the display.

| Display       | Value |
|---------------|-------|
| <b>[40.0]</b> | 440.0 |
| <b>[40.2]</b> | 440.2 |
| <b>[40.4]</b> | 440.4 |
| <b>[40.6]</b> | 440.6 |
| <b>[40.8]</b> | 440.8 |

**Setting range:**  
427.0 – 453.0 (Hz)

**Normal setting:**  
440.0 (Hz)

### TERMINOLOGY

#### Hz (Hertz):

This unit of measurement refers to the frequency of a sound and represents the number of times a sound wave vibrates in a second.

### NOTE

**You can also use the keyboard to set the pitch (in any mode other than Function mode).**

**To tune up (in about 0.2Hz steps):** Hold the A -1, B -1 and C0 keys (three white keys at the left end) simultaneously and press any key between C3 and B3.

**To tune down (in about 0.2Hz steps):** Hold the A -1, B -1 and C#0 keys (two white keys and a black key) simultaneously and press any key between C3 and B3.

**To restore standard pitch:** Hold the A -1, B -1, C0 and C#0 (three white keys and a black key) simultaneously and press any key between C3 and B3.

Each key has a note name; for example, the lowest (farthest left) key on the keyboard corresponds to A -1, and the highest (farthest right) key to C7.

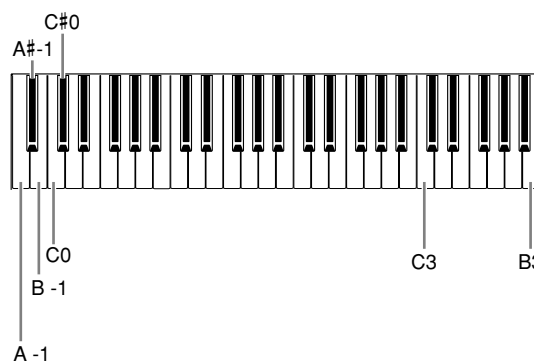
During the procedure described above, the display indicates a value in Hz **<[27.0]...[53.0]>**. After the procedure, the display returns to the previous indication.

### NOTE

**You can also tune in about 1Hz steps (in any mode other than Function mode).**

**To tune down or up, respectively, in approximately 1 Hz increments:** Hold the A -1, B -1 and C0 keys (three white keys at the left end) or A -1, B -1 and C#0 keys (two white keys and a black key) simultaneously and press the **[-/NO]** or **[+/YES]** button.

**To restore standard pitch:** Hold the A -1, B -1 and C0 keys (three white keys at the left end) or A -1, B -1 and C#0 keys (two white keys and a black key) simultaneously and press the **[-/NO]** **[+/YES]** buttons simultaneously.



During the procedure described above, the display indicates a value in Hz **<[27.0]...[53.0]>**. After the procedure, the display returns to the previous indication.

## F2. Selecting a Scale

You can select various scales. Equal Temperament is the most common contemporary piano tuning scale. However, history has known numerous other scales, many of which serve as the basis for certain genres of music. You can experience these tunings with the Clavinova.

### Equal Temperament

One octave is divided into twelve equal intervals. Currently the most popular piano tuning scale.

### Pure Major/Pure Minor

Based on natural overtones, three major chords using these scales produce a beautiful, pure sound.

### Pythagorean

This scale, designed by Pythagoras, a Greek philosopher, is based on the interval of a perfect 5th. The 3rd produces swells, but the 4th and 5th are beautiful and suitable for some leads.

### Mean Tone

This scale is an improvement of the Pythagorean in that the swell of the 3rd has been eliminated. The scale became popular during the late 16th century through the late 18th century, and was used by Handel.

### Werckmeister/Kirnberger

These scales combine Mean Tone and Pythagorean in different ways. With these scales, modulation changes the impression and feel of the songs. They were often used in the era of Bach and Beethoven. They are often used today to reproduce the music of that era on harpsichords.

1. Engage the Function mode and select **[F24]**.

2. Press the **[+ / YES]** button to engage the scale function's sub-mode, then use the **[TEMPO / FUNCTION ▼, ▲]** buttons to select the desired sub-mode.

Press the **[- / NO]** and **[+ / YES]** buttons to select the number of the desired tuning.

### Sub-mode

#### **[F21]** Scale

**Setting range:**

- 1: Equal Temperament
- 2: Pure Major
- 3: Pure Minor
- 4: Pythagorean
- 5: Mean Tone
- 6: Werckmeister
- 7: Kirnberger

**Normal setting:** 1: Equal Temperament

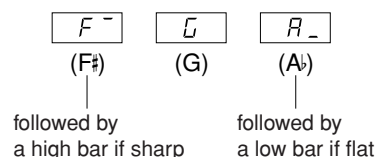
#### **[F22]** Base Note

If you select a scale other than Equal Temperament, you need to specify the root. (You can specify the root note with Equal Temperament selected, but it is not effective. The base note setting is effective for tunings other than the Equal Temperament tuning.)

**Setting range:** C, C<sup>♯</sup>, D, E<sup>♭</sup>, E, F, F<sup>♯</sup>, G, A<sup>♭</sup>, A, B<sup>♭</sup>, B

**Normal setting:** C

- Root indication example



## F3. Dual Mode Functions

You can set various parameters for Dual mode to optimize the settings for the songs you play, such as adjusting the volume balance between two voices.

Dual mode function settings are set individually for each voice combination.

1. Select the voices in Dual mode, then engage the Function mode and select **[F34]**.
2. Press the [+ / YES] button to engage the Dual mode function's sub-mode, then use the [TEMPO / FUNCTION ▼, ▲] buttons to select the desired sub-mode. Press the [- / NO] [+ / YES] button to assign values.

### NOTE

If Dual mode is not engaged, **[F3-]** will appear instead of **[F34]** and you will be unable to select Dual mode functions. In this case, you can switch to the Dual mode by selecting two voices.

### Sub-mode

#### **[F31]** Dual Balance

**Setting range:** 0 – 20 (A setting of “10” produces an equal balance between the two Dual mode voices. Settings below “10” increase the volume of Voice 2 in relation to Voice 1, and settings above “10” increase the volume of Voice 1 in relation to Voice 2.)

**Normal setting:** Different for each voice combination. You can set one voice as the main voice, and another voice as a softer, mixed voice.

#### **[F32]** Dual Detune

**Setting range:** -20 – 0 – 20 (With positive values, the pitch of Voice 1 is raised and the pitch of Voice 2 is lowered. With negative values, the pitch of Voice 1 is lowered and the pitch of Voice 2 is raised.)

### NOTE

The available setting range is wider in the lower range ( $\pm 60$  cents for A -1), and narrower in the higher range ( $\pm 5$  cents for C7). (100 cents equal one semitone.)

**Normal setting:** Different for each voice combination.

Detune Voice 1 and Voice 2 for Dual mode to create a thicker sound.

#### **[F33]** Voice 1 Octave Shift

#### **[F34]** Voice 2 Octave Shift

**Setting range:** -1, 0, 1

**Normal setting:** Different for each voice combination.

You can shift the pitch up and down in octave steps for Voice 1 and Voice 2 independently. Depending on which voices you combine in Dual mode, the combination may sound better if one of the voices is shifted up or down an octave.

#### **[F35]** Voice 1 Effect Depth

#### **[F36]** Voice 2 Effect Depth

**Setting range:** 0 – 20

**Normal setting:** Different for each voice combination.

These functions make it possible to individually set the depth of the effect for Voices 1 and 2 for Dual mode. (The effect depth settings cannot be changed unless the [EFFECT] is ON. Function mode must be exited before the [EFFECT] can be turned ON.)

- “Voice 1” and “Voice 2” are explained on page 26.

#### **[F37]** Reset

This function resets all Dual mode functions to their default values. Press the [+ / YES] button to reset the values.

### NOTE

#### SHORTCUT:

You can jump directly to the Dual mode functions **[F3\*]** by pressing the [TEMPO / FUNCTION] button while holding the two Dual mode voice buttons.

To exit Function mode, you still need to press the [TEMPO / FUNCTION] button so that the TEMPO indicator lights up.



**F4. (CLP-370/340)****Split Mode Functions**

This menu enables you to make various detailed settings for Split mode.

By changing the split point or other setting, you can optimize the settings for the songs you play.

1. Select the voices in Split mode, then engage the Function mode and select **[F43]**.
2. Press the [+ / YES] button to engage the Split mode function's sub-mode, then use the [TEMPO / FUNCTION ▼, ▲] buttons to select the desired sub-mode. Press the [- / NO] [+ / YES] button to assign values.

**NOTE**

If Split mode is not engaged, **[F4-]** will appear instead of **[F44]** and you will be unable to select Split mode functions. Also note that you must exit Function mode before you can engage Split mode.

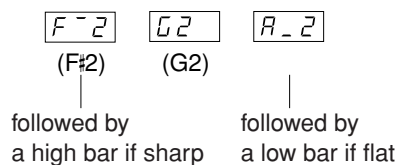
**Sub-mode****[F41] Split Point**

**Setting range:** The entire keyboard

**Normal setting:** F#2

Set the point on the keyboard that separates the right and left-hand sections (split point). The pressed key is included in the left-hand range.

- Instead of pressing the [- / NO] [+ / YES] buttons, you can engage the split point by pressing the appropriate key on the keyboard.
- If Function mode is not engaged, you can change the split point to any other key by pressing the key while holding the [SPLIT] button (page 27).
- An example of a key name indication for a split point

**[F42] Split Balance**

**Setting range:** 0 – 20 (A setting of “10” produces an equal balance between the two Split mode voices. Settings below “10” increase the volume of the left voice in relation to the right voice, and settings above “10” increase the volume of the right voice in relation to the left voice.)

**Normal setting:** Different for each voice combination.

The volume level of the two voices combined in Split mode can be adjusted as required. You can make this setting for each combination of voices individually.

**[F43] Right Voice Octave Shift****[F44] Left Voice Octave Shift**

**Setting range:** –1, 0, 1

**Normal setting:** Different for each voice combination  
You can shift the pitch up and down in octave steps for the Right Voice and Left Voice independently. Make a setting depending on the note range of the songs you play. You can make this setting for each combination of voices individually.

**[F45] Right Voice Effect Depth****[F46] Left Voice Effect Depth**

**Setting range:** 0 – 20

**Normal setting:** Different for each voice combination  
These functions make it possible to individually set the depth of the effect for the left and right Split mode voices.

The effect depth settings cannot be changed unless the [EFFECT] is ON. You must exit Function mode before you can turn on an [EFFECT].

You can make this setting for each combination of voices individually.

**[F47] Damper Pedal Range**

**Setting range:** ALL (for both voices)  
1 (for the right Voice)  
2 (for the left Voice)

**Normal setting:** ALL

The Damper Pedal Range function determines whether the damper pedal affects the right voice, the left voice, or both the left and right voices in Split mode.

**[F48] Reset**

This function resets all Split mode functions to their default values. Press the [+ / YES] button to reset the values.

**NOTE****SHORTCUT:**

You can jump directly to Split mode functions **[F4\*]** by pressing the [TEMPO / FUNCTION] button while holding the [SPLIT] button.

To exit Function mode, you still need to press the [TEMPO / FUNCTION] button so that the TEMPO indicator lights up.

## F5. (CLP-370/340) / F4. (CLP-S308/S306, CLP-330) Other Functions

This section provides a variety of other functions, including letting you assign the operation of the left pedal to one of several modes, and allowing you to select specific song channels for playback.

1. Engage the Function mode and select **F54** (CLP-370/340)/**F44** (CLP-S308/S306, CLP-330).
2. Press the [+ / YES] button to engage the other functions' sub-mode, then use the [TEMPO / FUNCTION ▼, ▲] buttons to select the desired sub-mode.  
Press the [- / NO] or [+ / YES] button to select the desired pedal function or assign the values.

### Sub-mode

**F51** (CLP-370/340)/**F41** (CLP-S308/S306, CLP-330)

#### Left Pedal Mode

##### Setting range:

1. Soft Pedal  
The soft pedal reduces the volume and slightly changes the timbre of notes played while the pedal is pressed. The soft pedal will not affect notes that are already playing.
2. Song Play/Pause  
This mode allows you to start or pause song playback. In this mode, the Left Pedal functions in the same manner as the **SONG [PLAY/PAUSE]** button on the panel.
3. Variation (CLP-370/340)  
This mode enables you to switch the Voice's variation on or off. In this mode, the left pedal functions in the same manner as the **[VARIATION]** button on the panel.

**Normal setting:** 1 (Soft Pedal)

**F52** (CLP-370/340)/**F42** (CLP-S308/S306, CLP-330)

#### Soft Pedal Effect Depth

**Setting range:** 1 – 5

**Normal setting:** 3

This function sets the depth of the soft pedal effect.

**F53** (CLP-370/340)

#### Sustain Sample Depth

**Setting range:** 0 – 20

**Normal setting:** 12

The **GRAND PIANO 1** voice features special “Sustain Samples” that recreate the unique resonance of an acoustic grand piano's soundboard and strings when the damper pedal is pressed. This function lets you adjust the depth of this effect.

**F54** (CLP-370/340)

#### Keyoff Sample Volume

**Setting range:** 0 – 20

**Normal setting:** 10

You can adjust the volume of the keyoff sound (the subtle sound produced when the keys are released) for voices **[GRAND PIANO1]**, **[HARPSICHORD]**, **[E.CLAVICHORD]** (including their variations).

**F55** (CLP-370/340)/**F43** (CLP-S308/S306, CLP-330)

#### Song Channel Selection

**Setting range:** ALL, 1&2

**Normal setting:** ALL

The setting here only affects Disklavier Piano Soft songs, and non-protected External songs. You can specify which song channels will play back on this instrument. When “ALL” is selected, channels 1 – 16 will be played back. When “1&2” is selected, only channels 1 and 2 will be played back, while channels 3 – 16 will be transmitted via MIDI.

## F6. (CLP-370/340) / F5. (CLP-S308/S306, CLP-330) Metronome Volume

You can change the volume of the metronome sound.

Use this function to adjust the metronome volume.

1. Engage the Function mode and select **F6** (CLP-370/340)/**F5** (CLP-S308/S306, CLP-330).
2. Use the [–/NO] and [+ /YES] buttons to set the metronome volume as required.

**Setting range:** 1 – 20

**Normal setting:** 10

### NOTE

#### SHORTCUT:

You can jump directly to the metronome functions **F6** (CLP-370/340)/**F5** (CLP-S308/S306, CLP-330) by pressing the [TEMPO/FUNCTION] button while holding the METRONOME [ON/OFF] button. To exit the Function mode, you still need to press the [TEMPO/FUNCTION] button so that the TEMPO indicator lights up.

## F7. (CLP-370/340) / F6. (CLP-S308/S306, CLP-330) MIDI Functions

You can make detailed adjustments to MIDI settings.

For more information about MIDI, see the “About MIDI” section (page 72).

All MIDI settings described below will affect the MIDI signal in and out of the USB [TO HOST] connector.

1. Engage the Function mode and select **F7** (CLP-370/340)/**F6** (CLP-S308/S306, CLP-330).
2. Press the [+ /YES] button to engage the MIDI function’s sub-mode, then use the [TEMPO/FUNCTION ▼, ▲] buttons to select the desired sub-mode.  
Press the [–/NO] or [+ /YES] button to set a selected parameter.

### Sub-mode

#### **F71** (CLP-370/340)/**F61** (CLP-S308/S306, CLP-330) MIDI Transmit Channel Selection

In any MIDI control setup, the MIDI channels of the transmitting and receiving equipment must be matched for proper data transfer.

This parameter enables you to specify the channel on which the Clavinova transmits MIDI data.

**Setting range:** 1 – 16, OFF (not transmitted)

**Normal setting:** 1

### NOTE

In Dual mode, Voice 1 data is transmitted on its specified channel. In Split mode (CLP-370/340), right voice data is transmitted on its specified channel. In Dual mode, Voice 2 data is transmitted on the next greater channel number relative to the specified channel. In Split mode (CLP-370/340), left voice data is transmitted on the next greater channel number relative to the specified channel. In either mode, no data is transmitted if the transmit channel is set to “OFF.”

### NOTE

Song data is not transmitted via the MIDI connections. However, channels 3 – 16 of Disklavier Piano Soft songs, and non-protected External songs will be transmitted via the MIDI connections depending on the Song Channel Selection setting (page 66).

[F72] (CLP-370/340)/[F62] (CLP-S308/S306, CLP-330)

**MIDI Receive Channel Selection**

In any MIDI control setup, the MIDI channels of the transmitting and receiving equipment must be matched for proper data transfer. This parameter enables you to specify the channel on which the Clavinova receives MIDI data.

**Setting range:** ALL, 1&2, 1 – 16

**Normal setting:** ALL

**NOTE****ALL:**

“Multi-timbre” Receive mode. This allows simultaneous reception of different parts on all 16 MIDI channels, enabling the Clavinova to play multi-channel song data received from F7.6 (CLP-370/340)/F6.6 (CLP-S308/S306, CLP-330) or sequencer.

**1&2:**

“1&2” Receive mode. This allows simultaneous reception on channels 1 and 2 only, enabling the Clavinova to play 1 and 2 channel song data received from a music computer or sequencer.

**NOTE**

Program change and other like channel messages received will not affect the instrument's panel settings or the notes you play on the keyboard.

**NOTE**

No MIDI reception occurs when Demo mode is engaged or during file operations.

[F73] (CLP-370/340)/[F63] (CLP-S308/S306, CLP-330)

**Local Control ON/OFF**

“Local Control” refers to the fact that, normally, the keyboard controls its internal tone generator, allowing the internal voices to be played directly from the keyboard. This situation is “Local Control On,” since the internal tone generator is controlled locally by its own keyboard. Local control can be turned OFF, however, so that the keyboard does not play the internal voices, but the appropriate MIDI information is still transmitted via the MIDI OUT terminal when notes are played on the keyboard. At the same time, the internal tone generator responds to MIDI information received via the MIDI IN terminal.

**Setting range:** ON/OFF

**Normal setting:** ON

[F74] (CLP-370/340)/[F64] (CLP-S308/S306, CLP-330)

**Program Change ON/OFF**

Normally the instrument will respond to MIDI program change numbers received from an external keyboard or other MIDI device, causing the correspondingly-numbered voice to be selected on the corresponding channel (the keyboard voice does not change). The instrument will normally also send a MIDI program change number whenever one of its voices is selected, causing the correspondingly-numbered voice or program to be selected on the external MIDI device if the device is set up to receive and respond to MIDI program change numbers. This function makes it possible to cancel program change number reception and transmission so that voices can be selected on the instrument without affecting the external MIDI device.

**NOTE**

For information on program change numbers for each of the Instrument's voices, Refer to MIDI Data Format on the web site.

<http://www.yamaha.co.jp/manual/>

**Setting range:** ON/OFF

**Normal setting:** ON

[F75] (CLP-370/340)/[F65] (CLP-S308/S306, CLP-330)

**Control Change ON/OFF**

Normally the CLP-370/340/330, CLP-S308/S306 will respond to MIDI control change data received from an external MIDI device or keyboard, causing the voice on the corresponding channel to be affected by pedal and other “control” settings received from the controlling device (the keyboard voice is not affected).

The CLP-370/340/330, CLP-S308/S306 also transmits MIDI control change information when the pedal or other appropriate controls are operated.

This function makes it possible to cancel control change data reception and transmission so that, for example, the CLP-370/340/330, CLP-S308/S306's pedal and other controls can be operated without affecting an external MIDI device.

**NOTE**

For information on control changes that can be used with the CLP-370/340/330, CLP-S308/S306, refer to the MIDI Data Format in our manual library at the following website.

<http://www.yamaha.co.jp/manual/>

**Setting range:** ON/OFF

**Normal setting:** ON

**F7E** (CLP-370/340) / **FEE** (CLP-S308/S306, CLP-330)

## Panel/Status Transmit

This function causes all the current instrument panel settings (selected voice, etc.) to be transmitted via the MIDI OUT terminal.

### TERMINOLOGY

#### Setup Data:

Data that contains a set of panel settings for the Clavinova.

#### Procedure

1. Set up the panel controls as desired.
2. Connect the Clavinova to a sequencer via MIDI, and set up the sequencer so it can receive the setup data.
3. Engage the Function mode and select **F7E** (CLP-370/340) / **FEE** (CLP-S308/S306, CLP-330).
4. Press the **[+/YES]** button to transmit the panel/status data.

**End** will appear on the LED display when the data has been successfully transmitted.

### NOTE

For a list of the "Panel Data Contents" transmitted by this function, refer to our manual library at the following website.  
<http://www.yamaha.co.jp/manual/>

### NOTE

#### Receiving the transmitted data:

1. Connect the Clavinova via MIDI to the device to which the setup data was transmitted previously.
  2. Start sending the setup data from the device.
- The Clavinova automatically receives the setup data, which will be reflected in the panel settings.  
 (For the data to be accepted, the Clavinova that receives the setup data should be the same model as the one that transmitted the setup data to the sequencer.)

### NOTE

For more information on transmitting and receiving setup data via MIDI, refer to the owner's manual for the connected MIDI device.

**F77** (CLP-370/340) / **FE7** (CLP-S308/S306, CLP-330)

## Initial Setup Send

This function lets you send the data of the panel settings to a computer. By transmitting the panel settings and recording them on the MIDI sequence recorder prior to the actual performance data, the instrument will be automatically restored to the same settings when the performance is played back. You can also use this function to change the settings of a connected tone generator to the same settings as the instrument.

#### Procedure

1. Set up the panel controls as desired.
2. Connect the Clavinova to a sequencer via MIDI, and set up the sequencer so it can receive the setup data.
3. Engage the Function mode and select **F77** (CLP-370/340) / **FE7** (CLP-S308/S306, CLP-330).
4. Press the **[+/YES]** button to transmit the panel/status data.

**End** will appear on the LED display when the data has been successfully transmitted.

The following data can be sent.

- Voice selection
- [REVERB] type
- [REVERB] depth
- [EFFECT] type
- [EFFECT] depth
- Split point
- Tuning (F1)
- Dual detune (F3.2)

## F8. (CLP-370/340) / F7. (CLP-S308/S306, CLP-330) Backup Functions

### TERMINOLOGY

#### Backup:

You can back up some settings, such as voice selection and reverb type, so that they will not be lost when you turn off the power to the Clavinova.

If the backup function is turned on, the settings at power off are effective. If the backup function is turned off, the settings in memory are erased when you turn off the power. In this case, when you turn on the power to the unit, the default settings (the initial settings) will be used. (The factory setting default list is found on page 98.)

However, the backup settings themselves, the contents of the user song recorder memory, character code settings and internet settings are always backed up.

You can turn the backup function on or off for each function group (each of the following sub-mode functions).

1. Engage the Function mode and select **[F8.4]** (CLP-370/340)/**[F7.4]** (CLP-S308/S306, CLP-330).
2. Press the [+ / YES] button to engage the backup function's sub-mode, then use the [TEMPO / FUNCTION ▼, ▲] buttons to select the desired sub-mode.  
Press the [- / NO] or [+ / YES] button to turn the backup function on or off.

### Sub-mode

**[F8.1]** (CLP-370/340)/**[F7.1]** (CLP-S308/S306, CLP-330)

#### Voice

**[F8.2]** (CLP-370/340)/**[F7.2]** (CLP-S308/S306, CLP-330)

#### MIDI

**[F8.3]** (CLP-370/340)/**[F7.3]** (CLP-S308/S306, CLP-330)

#### Tuning

**[F8.4]** (CLP-370/340)/**[F7.4]** (CLP-S308/S306, CLP-330)

#### Others

**Setting range:** ON/OFF  
**Normal setting:** Voice: OFF  
MIDI – Others: ON

## Description of sub-modes

**[F8.1]** (CLP-370/340)/**[F7.1]** (CLP-S308/S306, CLP-330)

### Voice

- Voice (Keyboard, Dual, and Split <CLP-370/340>)
- Dual (ON/OFF, Voice, and Dual Functions for each voice combination)
- Split (CLP-370/340) (ON/OFF, Voice, and Split Functions for each voice combination)
- Reverb (ON/OFF, Type, and Depth for each voice)
- Effect (ON/OFF, Type, and Depth for each voice)
- Variation (CLP-370/340) (for each voice)
- Touch Sensitivity (including the FIXED volume)
- Metronome (Beat, Volume <**[F8.5]** (CLP-370/340)/**[F7.5]** (CLP-S308/S306, CLP-330) settings>)

**[F8.2]** (CLP-370/340)/**[F7.2]** (CLP-S308/S306, CLP-330)

### MIDI

The MIDI functions (**[F7.\*]** <CLP-370/340>/**[F8.\*]** <CLP-S308/S306, CLP-330> settings)

(expect for the **[F7.6]** and **[F7.7]** <CLP-370/340>/**[F8.6]** and **[F8.7]** <CLP-S308/S306, CLP-330>)

**[F8.3]** (CLP-370/340)/**[F7.3]** (CLP-S308/S306, CLP-330)

### Tuning

- Transpose
- Tuning (**[F7.1]** settings)
- Scale (including base note) (**[F7.\*]** settings)

**[F8.4]** (CLP-370/340)/**[F7.4]** (CLP-S308/S306, CLP-330)

### Others

- Other functions (**[F8.\*]** <CLP-370/340>/**[F7.\*]** <CLP-S308/S306, CLP-330> settings)
- BRILLIANCE setting
- DAMPER RES. ON/OFF and Depth

## F8.5 (CLP-370/340) / F7.5 (CLP-S308/S306, CLP-330) Character Code

If the song cannot be loaded, you may need to change the character code setting.

**Setting range:** Int (English)/JA (Japanese)

**Normal setting:** Int

## F9. (CLP-370/340) / F8. (CLP-S308/S306) LAN Settings

For details on how to set the LAN, see on pages 46 – 53, 58.

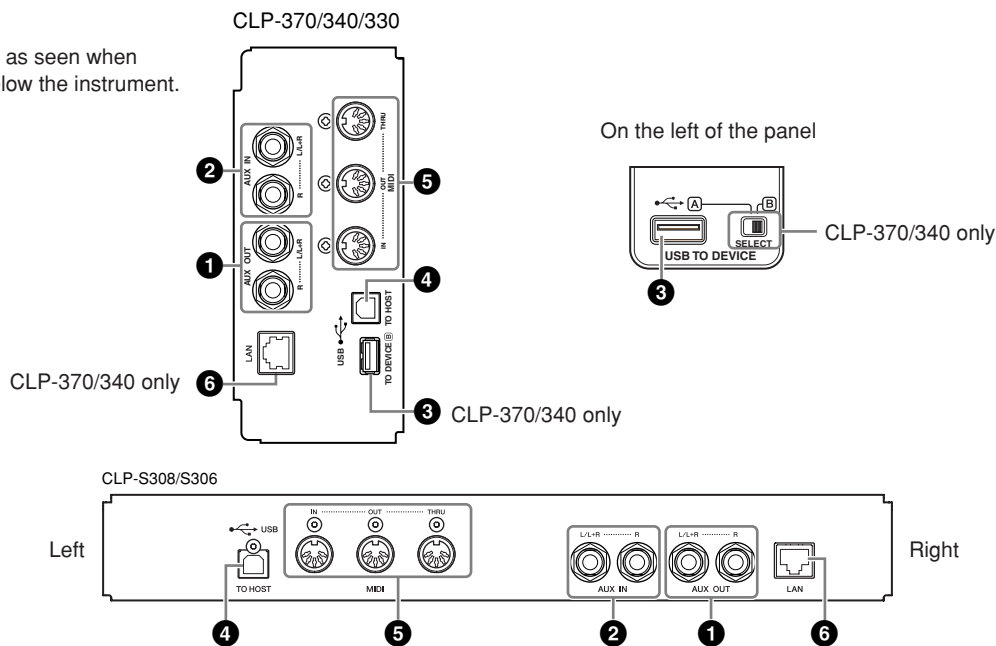
# Connections

## Connectors

### ⚠ CAUTION

Before connecting the Clavinova to other electronic components, turn off the power to all the components. Before turning the power on or off to all components, set all volume levels to minimum (0). Otherwise, electrical shock or damage to the components may result.

Show the jacks as seen when viewed from below the instrument.

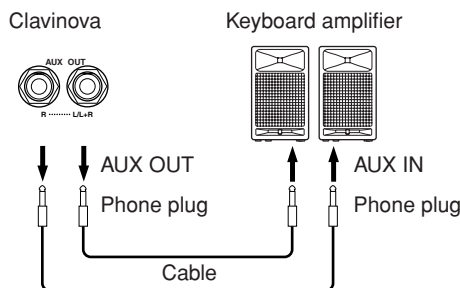


### 1 AUX OUT [L/L+R][R] jacks

You can connect these jacks to a Keyboard amplifier system to monitor your playing. Refer to the diagram below and use cables to make the connections. The Master volume affects the AUX OUT signal. If you want to turn off the sound of the internal speakers, use the speaker switch (page 15).

### ⚠ CAUTION

When the Clavinova's AUX OUT jacks are connected to an external audio system, first turn on the power to the Clavinova, then to the external audio system. Reverse this order when you turn the power off.



### NOTE

Use cables and plugs with no resistance.

### NOTE

Do not input the sound from the AUX OUT jacks to the AUX IN jacks. This may cause a feedback loop, and the output sound may be excessively loud.

### NOTE

If you want to take a mono signal via the AUX OUT jack, connect a cable to the [L/L+R] jack.

The sound via the internal speakers and headphones is set to the proper condition automatically (see below).

☐ Speakers sound  
 ◐ Speakers do not sound

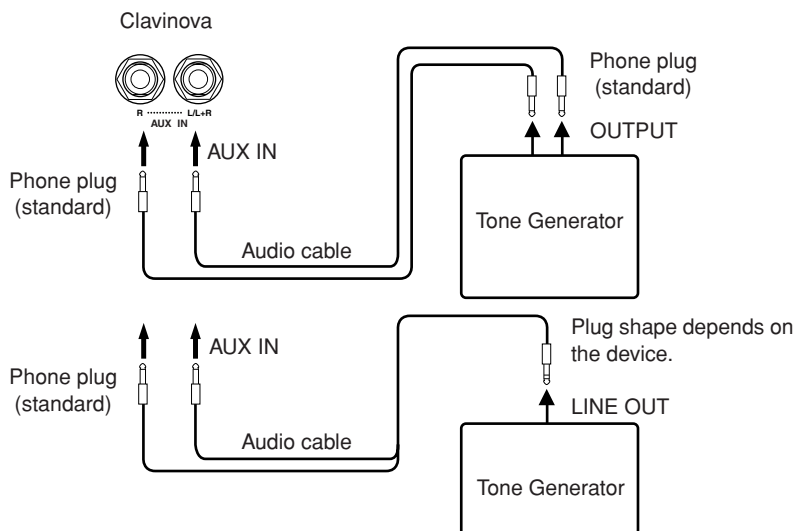
|                          | No plugs to connected to AUX OUT jacks    |   |              | Plugs connected to AUX OUT jacks |                                     |              |
|--------------------------|---|---|--------------|----------------------------------|-------------------------------------|--------------|
|                          | Speakers On                               | Speakers Normal (Headphones Switch)       | Speakers Off | Speakers On                      | Speakers Normal (Headphones Switch) | Speakers Off |
| Headphones connected     | Optimum equalization for speakers applied | Flat                                      | Flat         | Flat                             | Flat                                | Flat         |
| Headphones not connected | Optimum equalization for speakers applied | Optimum equalization for speakers applied | Flat         | Flat                             | Flat                                | Flat         |

**2 AUX IN [L/L+R][R] jacks**

The stereo outputs from another instrument can be connected to these jacks, allowing the sound of an external instrument to be reproduced via the Clavinova's speakers. Refer to the diagram below and use audio cables to make the connections.

**CAUTION**

When the Clavinova's AUX IN jacks are connected to an external device, first turn on the power to the external device, then to the Clavinova. Reverse this order when you turn the power off.

**3 USB [TO DEVICE] terminal**

This terminal allows connection to USB storage devices. Refer to "Connection to a USB storage device" on page 73.

**4 USB [TO HOST] terminal**

This terminal allows direct connection to a personal computer. Refer to "Connecting a Personal Computer" on page 75 for more information.

**5 MIDI [IN] [OUT] [THRU] terminals**

Use MIDI cables to connect external MIDI devices to these connectors.

**MIDI [IN]:** Receives MIDI data.

**MIDI [OUT]:** Transmits MIDI data.

**MIDI [THRU]:** Transmits data received at the MIDI [IN] terminal as it is.

**About MIDI**

MIDI (Musical Instrument Digital Interface) is a standard format for data transmission/reception. It enables the transfer of performance data and commands between MIDI devices and personal computers. Using MIDI, you can control a connected MIDI device from the Clavinova, or control the Clavinova from a connected MIDI device or computer.

**6 [LAN] terminal (CLP-370/340, CLP-S308/S306)**

Connect to the internet (see page 46).

**NOTE**

The Clavinova's **[MASTER VOLUME]** slider setting affect the input signal from the AUX IN jacks, but the **[BRILLIANCE]**, **[REVERB]**, and **[EFFECT]** settings do not.

**NOTE**

If you connect the Clavinova to a monaural device, use only the AUX IN **[L/L+R]** jack.

**NOTE**

There are two different types of USB terminals on the instrument: USB **[TO DEVICE]** and USB **[TO HOST]**. Take care not to confuse the two terminals and the corresponding cable connectors. Be careful to connect the proper plug in the proper direction.

**NOTE**

MIDI performance data and commands are transferred in the form of numeric values.

**NOTE**

Since MIDI data that can be transmitted or received varies depending on the type of MIDI device, check the "MIDI Implementation Chart" to find out what MIDI data and commands your devices can transmit or receive. Refer to the MIDI Implementation Chart in the Data Format on the website.

For information on how to access and obtain the Data Format list, see page 3.

Direct URL:

<http://www.yamaha.co.jp/manual/>



## Connection to a USB storage device

By connecting the instrument to a USB storage device with a standard USB cable, you can save data you've created to the connected device, as well as read data from the connected device.

### Compatible USB storage devices

A USB storage device, such as a floppy disk drive, hard disk drive, CD-ROM drive, flash memory reader/writer, etc., can be connected to the **USB [TO DEVICE]** terminal. Other USB devices such as a computer keyboard or mouse cannot be used.

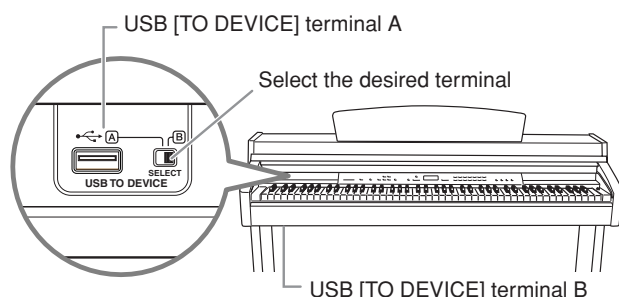
The instrument does not necessarily support all commercially available USB storage devices. Yamaha cannot guarantee operation of USB storage devices that you purchase. Before purchasing USB storage devices, please consult your Yamaha dealer, or an authorized Yamaha distributor (see list at end of the Owner's Manual) for advice, or visit the following web page:  
<http://music.yamaha.com/download/>

### CAUTION

Avoid frequently turning the power on/off to the USB storage device, or connecting/disconnecting the cable too often. Doing so may result in the operation of the instrument "freezing" or hanging up. While the instrument is accessing data (such as during Save, Delete, Load and Format operations) or is mounting the USB storage device (shortly after the connection: until the "LOAD TO USER" LED flash stops), do NOT unplug the USB cable, do NOT remove the media from the device, and do NOT turn the power off to either devices. Doing so may corrupt the data on either or both devices.

### Connection to a USB storage device

The CLP-370/340 has two **USB [TO DEVICE]** terminals; one on the left of the panel and one on the terminal at the bottom.



Both are the same terminal; however, both cannot be used at the same time. Use the **[SELECT]** switch to select the desired terminal. Switching to "A" selects the terminal on the left of the panel, while switching to "B" selects the terminal panel at the bottom. When the device is mounting, the FILE "LOAD TO USER" indicator flashes. When the mounting operation is completed, the indicator goes off.

### CAUTION

While the instrument is accessing data (such as in the Save, Export, Load, Delete or Format operations) or is mounting the USB storage device (shortly after the connection: until the FILE LOAD LED flash stops), do NOT use the **[SELECT]** switch. Doing so may corrupt the media or data.

### CAUTION

Disconnect the optional USB storage device connected to the **[USB TO DEVICE] A** terminal before closing the key cover. Closing the cover with the device still connected may damage the device.

### Formatting USB storage media

When executing a file-related operation with a connected USB storage device, a "For" message may appear, indicating that the device or media may be unformatted. If this happens, format the media (page 40).

### CAUTION

The format operation overwrites any previously existing data. Proceed with caution.

#### NOTE

##### CD-ROM drive

Although CD-R/RW drives can be used to read data to the instrument, they cannot be used for saving data.

#### NOTE

Do not use a non-ID SmartMedia card.

#### NOTE

##### Number of USB storage devices

Only one USB storage device can be connected to the **USB [TO DEVICE]** terminal. This instrument can recognize only a single drive in a USB storage device. If one storage device contains more than one drive, only one drive will be automatically selected and recognized.

#### NOTE

(CLP-370/340) If you connect USB storage devices to both **USB [TO DEVICE]** terminals, the devices may not operate properly.

#### NOTE

Do not connect a USB hub to the instrument.

#### NOTE

Remove the USB storage device from the instrument before you switch the A/B terminals.

#### NOTE

Though the instrument supports the USB 1.1 standard, you can connect and use a USB 2.0 storage device with the instrument. However, note that the transfer speed is that of USB 1.1.

**To protect your data (write-protect):**

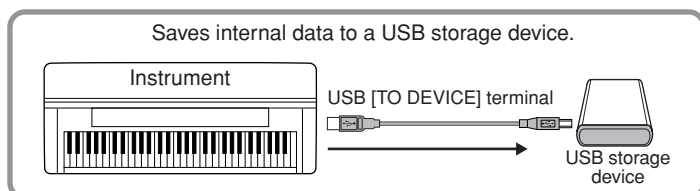
To prevent important data from being inadvertently erased, apply the write-protect provided with each storage device or media. If you are saving data to the USB storage device, make sure to disable write-protect.

**To display the data in the USB storage device**

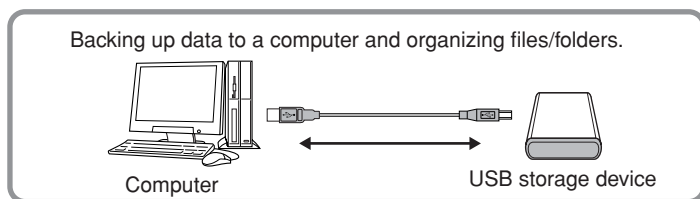
To view the data of the USB storage device on the CLP display, press the [SONG SELECT] button a few times until the “USB” indicator lights (page 45).

**Backing up your data to a computer****■ Backing up the instrument data to a computer**

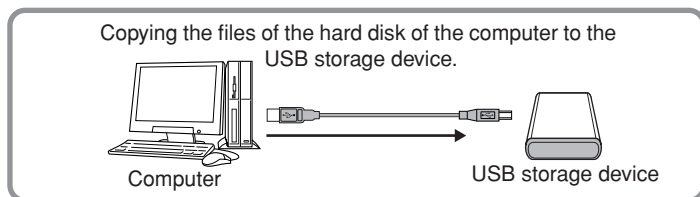
Once you’ve saved data to a USB storage device, you can copy the data to the hard disk of your computer, then archive and organize the files as desired. Simply reconnect the device as shown below.



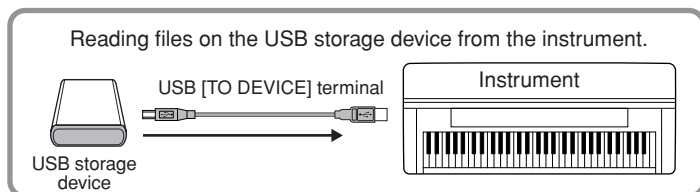
Disconnect the USB storage device from the instrument and connect it to the computer.

**■ Copying files from a computer hard disk to a USB storage device**

Files contained on the hard disk of a computer can be transferred to the instrument by first copying them to the storage media, then connecting/inserting the media to the instrument. Not only files created on the instrument itself but also Standard MIDI files created on other devices can be copied to a USB storage device from the hard disk of the computer. Once you’ve copied the data, connect the device to the USB [TO DEVICE] terminal of the instrument, and play back the data on the instrument.



Disconnect the USB storage device from the computer and connect it to the instrument.



# Connecting a Personal Computer

By connecting a computer to the Clavinova's USB [TO HOST] terminal, you can transfer data between the instrument and the computer via MIDI. To do this, install the USB-MIDI driver and Musicsoft Downloader software (refer to the included "Accessory CD-ROM Installation Guide").

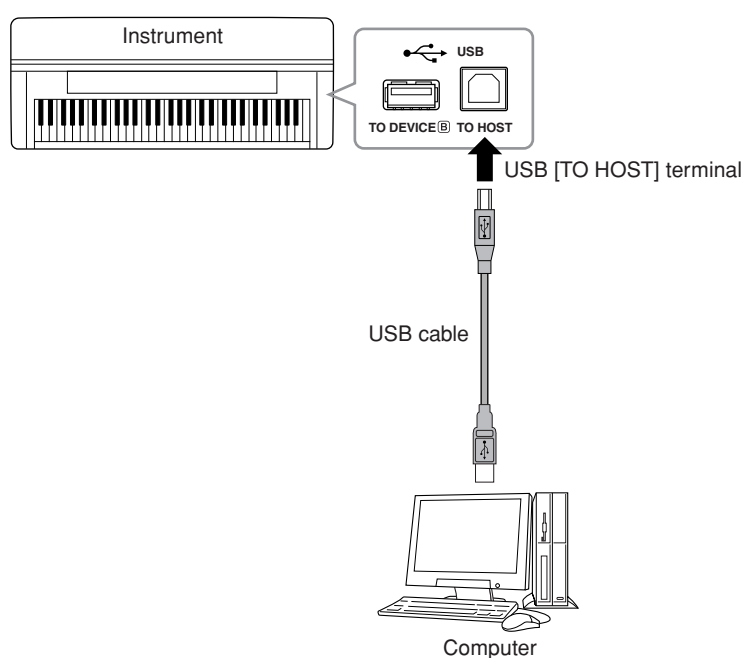
## ⚠ CAUTION

When connecting the Clavinova to a personal computer, first turn off the power to both the Clavinova and the computer before connecting any cables. After making connections, turn on the power to the computer first, then to the Clavinova.

## ⚠ CAUTION

If you are not using the connection between the Clavinova and your computer, you must disconnect the cable from the USB [TO HOST] terminal. The Clavinova may not operate correctly if a cable is left connected.

Use a USB cable to connect the USB port on your computer to the USB [TO HOST] terminal on the Clavinova.



### Precautions when using the USB [TO HOST] terminal

When connecting the computer to the USB [TO HOST] terminal, make sure to observe the following points. Failing to do so risks freezing the computer and corrupting or losing the data. If the computer or the instrument freezes, restart the application software or the computer OS, or turn the power to the instrument off then on again.

## ⚠ CAUTION

- Use an AB type USB cable of less than about 3 meters.
- Before connecting the computer to the USB [TO HOST] terminal, exit from any power-saving mode of the computer (such as suspended, sleep, standby).
- Before turning on the power to the instrument, connect the computer to the USB [TO HOST] terminal.
- Execute the following before turning the power to the instrument on/off or plugging/unplugging the USB cable to/from the USB [TO HOST] terminal.
  - Quit any open application software on the computer.
  - Make sure that data is not being transmitted from the instrument. (Data is transmitted only by playing notes on the keyboard or playing back a song.)
- While the computer is connected to the instrument, you should wait for six seconds or more between these operations: (1) when turning the power of the instrument off then on again, or (2) when alternately connecting/disconnecting the USB cable.

### TERMINOLOGY

#### Driver:

A driver is software that provides a data-transfer interface between the computer's operating system and a connected hardware device. You need to install a USB MIDI driver to connect the computer and the instrument.

### NOTE

- The instrument will begin transmission a short time after the USB connection is made.
- When using a USB cable to connect the instrument to your computer, make the connection directly without passing through a USB hub.
- For information on setting up your sequence software, refer to the owner's manual of the relevant software.

# Transmitting Song Data between the Computer and the Instrument

In addition to the demo songs and the 50 piano preset songs stored in this instrument, you can play data for other song by loading it from a connected computer. To be able to use this function, you must first download Musicsoft Downloader from Yamaha website, and install it on your computer (refer to “Accessory CD-ROM for Windows Installation Guide”).

## System requirement for Musicsoft Downloader

- OS : Windows 2000/XP Home Edition/XP Professional/Vista  
\*For XP and Vista, the 32-bit version is supported, but not the 64-bit version.
- CPU : Intel® Pentium® or Celeron® chip of 233MHz or Higher (500 MHz or higher is recommended) or higher
- Memory : 64MB or more (256MB or more is recommended)
- Available hard : at least 128MB of free space (at least 512MB of free space is recommended) disk capacity
- Display : 800 x 600 High Color (16-bit)
- Others : Microsoft® Internet Explorer® version 5.5 or higher

## Loading Song Data from a Computer to the Instrument

You can load piano song data from a computer to this instrument. Also, after you record your performance on this instrument and save the recording to a computer, you can load the recording back to the instrument.

This instrument can read MIDI data in SMF Format 0. However, if such data includes any information for functions that are not supported by this instrument, the instrument will not play the data correctly.

For more information on loading song data from a computer to this instrument, please refer to “Transferring Data Between the Computer and Instrument (for unprotected data)” in the Help file that came with Musicsoft Downloader.

## Requirements for song data that can be loaded from a computer to this instrument

- Songs : user songs (loaded from instrument), SMF Format 0 songs
- Maximum data size : 748KB
- Data format : SMF Format 0
- Backup data (loaded from instrument)
  - File name
  - 08CLP-M.BUP (CLP-370/340)
  - 08CLP-ML.BUP (CLP-330)
  - 08CLP-S.BUP (CLPS308/S306)

You can play the loaded Songs (page 44).

### CAUTION

Do not turn off the power to this instrument or unplug the instrument during data transmission. Otherwise, the data being transmitted will not be saved. Furthermore, flash memory operation may become unstable, causing the entire memory to be erased when you turn the power to the instrument on or off.

### NOTE

You can download free Musicsoft Downloader from the Yamaha website.

### NOTE

Do not manually change the file name by using a computer; doing so will render the file unable for loading on the instrument.

### NOTE

#### SMF (Standard MIDI File)

This file features a popular sequence format (for recording performance data). This file is sometimes called a “MIDI file.” The file extension is MID.

You can play the SMF format song using music software or a sequencer that supports SMF. This instrument also supports SMF.

### NOTE

Before you use this instrument, close the Musicsoft Downloader window and quit the application.

# Transmitting Song Data from the Instrument to a Computer

Musicsoft Downloader enables you to transfer the user song in this instrument to a computer. For more information on transferring song data from this instrument to a computer, please refer to “Transferring Data Between the Computer and Instrument (for unprotected data)” in the Help file that came with Musicsoft Downloader.

## Data you can transfer from this instrument to a computer

- User song : your recorded songs
- Back up data : panel settings
- Song data (once it has been loaded from the computer)

# Data Backup

For maximum data security Yamaha recommends that you save your important data to your computer by using the application Musicsoft Downloader (MSD). This provides a convenient backup if the internal memory is damaged (refer to the “Accessory CD-ROM for Windows Installation Guide”).

## Data that can be saved

### • Panel settings and recorded User songs

Panel settings are the same data that can be backed up using the Backup Functions (page 70). You can save the panel settings and recorded User songs as one file.

### • External songs received via computer.

This includes external songs saved from the computer by using Musicsoft Downloader.

## Procedure

### 1. Install the USB MIDI driver and the MSD to your computer (Windows), then connect the computer and the instrument.

For installation, see the separate Installation Guide.

For connection, see page 75.

### 2. Move the data to the computer.

By using the MSD, save the “CLP-xxx.BUP” file from “System Drive” under “Electronic Musical Instruments” to the computer.

The “CLP-xxx.BUP” file contains the panel settings and recorded User songs. Also, if you store the external songs in the instrument from the computer, move the songs from “Flash Memory” under “Electronic Musical Instruments” to the computer via the MSD.

For instruction on using the MSD, see the Help in the MSD.

To recall the settings and load the songs to the instrument, move the “CLP-xxx.BUP” file and the External songs under the folders to which you saved the files.

#### NOTE

The file described in #1 at left cannot be saved to a USB storage device (CLP-370/340).

#### NOTE

When MSD is started on a computer connected to the instrument, “con (computer connection)” appears in the display. When this indication appears, you cannot operate the instrument.

#### NOTE



The Musicsoft Downloader cannot be used when the instrument is in the following state:

- During Demo mode.
- During song playback.
- During Record mode.
- During file operation (one of the [FILE] button indicators is lit).

#### NOTE

The panel settings and User songs (CLP-xxx.BUP file) remain in the instrument after being saved to the computer.

# Message List

| Message | Comment  |
|---------|--|
| CLr     | <p>Displayed after factory presets are recalled.</p> <p> <b>CAUTION</b></p> <p>Do not turn off the power of the instrument when "CLr" appears in the display. Doing so may delete all song data in the instrument, including external songs (page 44).</p>  |
| con     | <p>Displayed when Musicsoft Downloader is started on a computer connected to the instrument. When this message appears, you cannot operate the instrument.</p>   |
| E01     | <p>Indicates failure in accessing the USB storage device because the device or media is damaged.</p>   |
| E02     | <p>Displayed when the song data is damaged or not recognized.</p>  |
| E04     | <p>Indicates that the song data is too large to be loaded.</p>   |
| End     | <p>Displayed when the current operation is completed.</p>  |
| Err     | <p>Displayed when the MIDI/USB cable is disconnected while starting Musicsoft Downloader on a computer connected to the instrument.</p>  |
| FCL     | <p>Indicates that internal memory has been cleaned up. Recorded songs, panel settings and external songs which have been loaded from a computer are cleared, because the power has been turned off before the song save or load operations were completed.</p> <p> <b>CAUTION</b></p> <p>Do not turn off the power of the instrument when "FCL" appears in the display.</p> |
| For     | <p>Indicates that the instrument has engaged format mode for the USB storage device.</p>   |
| FUL     | <p>Displayed when internal memory becomes full during song recording.</p>  |
|         | <p>Displayed when the USB storage device becomes full and the song cannot be saved.</p>  |
|         | <p>Displayed when the total amount of files has become too large.</p>  |
| Lod     | <p>Displayed when a protected song is loading.</p>   |
| n y     | <p>Confirms whether each operation is executed or not.</p>   |
| n̄y     | <p>Reconfirms whether the overwriting, delete or format operation is executed or not.</p>  |
| Pro     | <p>Indicates that the USB storage device or media is protected.</p>  |

\* Regarding the messages (and their explanations) for Internet Direct Connection, refer to the Yamaha web site: <http://services.music.yamaha.com/>

# Troubleshooting

| Problem  | Possible Cause and Solution  |
|--|--|
| The Clavinova does not turn on.  | The Clavinova has not been plugged in properly. Securely insert the female plug into the socket on the Clavinova, and the male plug into a proper AC outlet (page 14).   |
| A click or pop is heard when the power is turned on or off.  | This is normal when electrical current is being applied to the instrument.   |
| Noise is heard from the speakers or headphones.  | The noise may be due to interference caused by the use of a mobile phone in close proximity to the Clavinova. Turn off the mobile phone, or use it further away from the Clavinova.  |
| The overall volume is low, or no sound is heard.   | <ul style="list-style-type: none"> <li>The Master Volume is set too low; set it to an appropriate level using the [MASTER VOLUME] control.</li> <li>Make sure a pair of headphones is not connected to the headphones jack (when the SPEAKER switch is set to the "NORMAL" position). If the SPEAKER switch is set to the "OFF" position, set it to "NORMAL" or "ON" (page 15).</li> <li>Make sure that Local Control (page 68) is ON.</li> </ul>  |
| The speakers do not switch off when a pair of headphones is connected.   | The SPEAKER switch may be switched "ON." Set the SPEAKER switch to the "NORMAL" position (page 15).  |
| The damper pedal has no effect, or the sound continuously sustains even when the damper pedal is not pressed.  | The pedal cable/plug may not be properly connected. Make sure to securely insert the pedal plug into the proper jack (pages 83, 86).   |
| The speaker sound is changed.  | The AUX OUT jack may be connected. Make sure to disconnect the plug (see page 71).   |
| Even though a USB storage device is connected, the SONG SELECT "USB" indicator does not turn on when pressing the [SONG SELECT] button.                              | <p>The USB storage device may not be recognized by the instrument, depending on the device itself or the timing of the recognition.</p> <ol style="list-style-type: none"> <li>(CLP-370/340) check the [SELECT] switch.<br/>Switching to "A" selects the terminal on the left of the panel, while switching to "B" selects the terminal panel at the bottom.</li> <li>Check that the device is not damaged.<br/>Check that the FILE "LOAD TO USER" indicator flashes after connecting the USB storage device. If the indicator does not flash, the device may be damaged.</li> <li>Check that the compatibility of the device has been confirmed by Yamaha (page 73).</li> <li>Select SONG SELECT "USB" again.<br/>It may take a while for the instrument to recognize the USB storage device. Press the [SONG SELECT] button again to turn the "USB" indicator on.</li> </ol> |
| The USB storage device has hung up (stopped).  | <ul style="list-style-type: none"> <li>The USB storage device is not compatible with the instrument. Only use the devices whose compatibility has been confirmed by Yamaha (page 73).</li> <li>Turn the instrument off and disconnect the device, then turn it back on and reconnect the device.</li> </ul>  |
| The three LEDs of "SAVE TO USB," "LOAD TO USER" and "DEL/FORMAT" at the [FILE] button flash simultaneously when a storage device is connected.                       | Disconnect the USB storage device and turn the power of the instrument off. The USB storage device is not compatible with the instrument.  |
| The three LEDs of "SAVE TO USB," "LOAD TO USER" and "DEL/FORMAT" at the [FILE] button flash simultaneously for five seconds when the USB storage device is operated. | Try disconnect the USB storage device once, then reconnect it.   |
| Nothing is indicated in the LED display.   | Press the [-/NO] or [+YES] button and try again the operation again.   |

## Options

### BC-100 Bench

A comfortable bench styled to match your Yamaha Clavinova.

### HPE-160 Stereo Headphones

High-performance lightweight dynamic headphones with extra-soft ear pads.

### UD-FD01 USB-FDD Unit

Floppy disk drive for connecting to the instrument and saving/loading data.

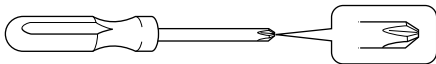


# CLP-370: Keyboard Stand Assembly

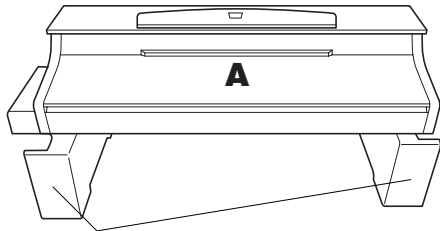
## ⚠ CAUTION

- Assemble the unit on a flat floor surface.
- Be careful not to confuse parts, and be sure to install all parts in the correct orientation. Please assemble the unit in accordance with the sequence given below.
- Assembly should be carried out by at least two persons.
- Be sure to use only the included screws of the specified sizes. Do not use any other screws. Use of incorrect screws can cause damage or malfunction of the product.
- Be sure to tighten all screws upon completing assembly of the unit.
- To disassemble the unit, reverse the assembly sequence given below.

Have a Philips-head (+) screwdriver of the appropriate size ready.

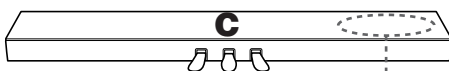


Remove all parts from the package and make sure you have all of the items.

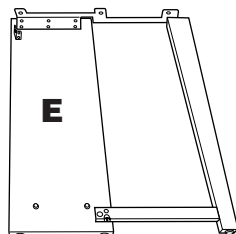
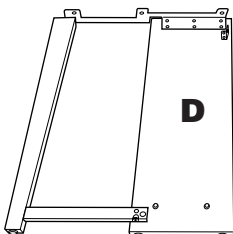


### Foamed styrol pads

Remove foamed styrol pads from the package, position them on the floor, then place A on top of them. Position the pads so that they will not block the speaker box on the bottom of A.

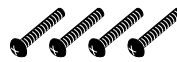


A bundled pedal cord is attached to the reverse side.



### Assembly Parts

6 x 25 mm long screws x 4



4 x 20 mm tapping screws x 4



6 x 16 mm short screws x 6



Cord holders x 2



4 x 12 mm thin screws x 2



### Headphone hanger

4 x 10 mm thin screws x 2

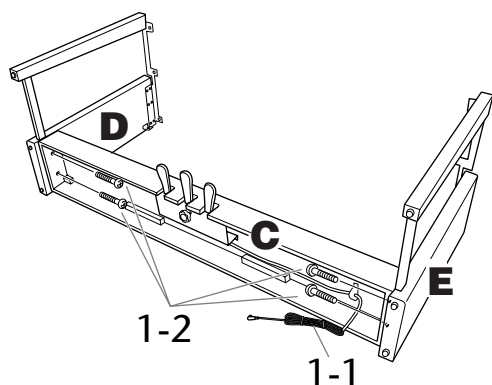


Headphone hanger



Power cord



**1. Attach C to D and E.**

**1-1** Untie and straighten out the bundled pedal cord. Do not discard the vinyl tie. You will need it later in step 5.

**1-2** Attach D and E to C by tightening four long screws (6 x 25 mm).

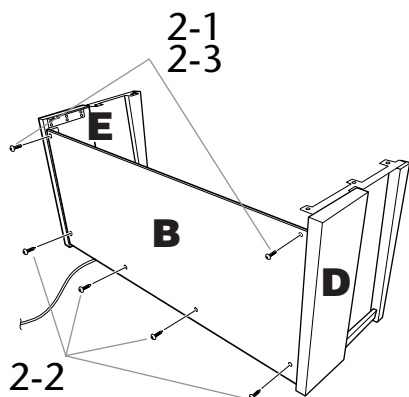
**2. Attach B.**

Depending on the model of Clavinova you purchased, the surface color of one side of B may be different from the other side. In this case, position B so that the side of the surface color most similar to D and E faces you (as you would play the instrument)

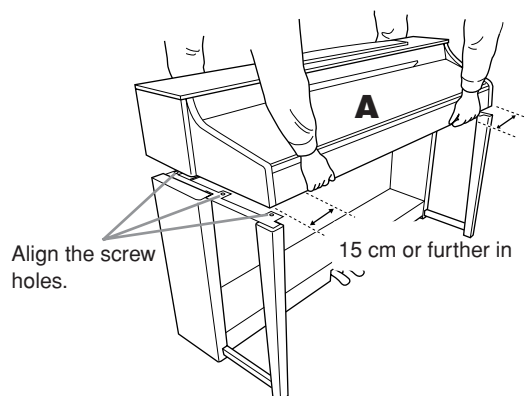
**2-1** Align the screw holes on the upper side of B with the bracket holes on D and E, then attach the upper corners of B to D and E by finger-tightening two thin screws (4 x 12 mm).

**2-2** Secure the bottom end of B using four tapping screws (4 x 20 mm).

**2-3** Securely tighten the screws on the top of B that were attached in Step 2-1.

**3. Mount A.**

Make sure that you mount the main unit by holding the front bottom in areas that are at least 15 cm towards the center from either end and by the handles on the rear panel.

**CAUTION**

Be extra careful not to drop or let your fingers be pinched by the main unit.

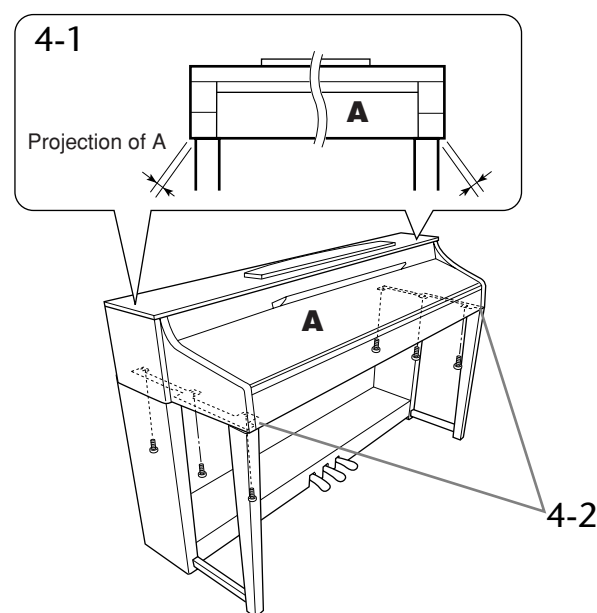
**CAUTION**

Do not hold the main unit in any position other than the position specified above.

**4. Secure A.**

**4-1** Adjust the position of A so that the left and right ends of A will project beyond D and E equally (as seen from the front).

**4-2** Secure A by tightening six short screws (6 x 16 mm) from the front.

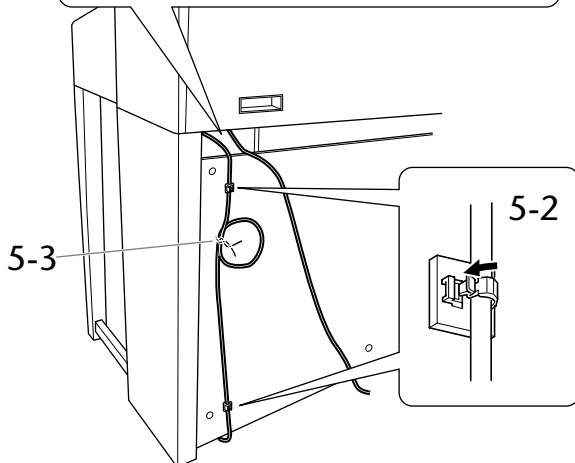
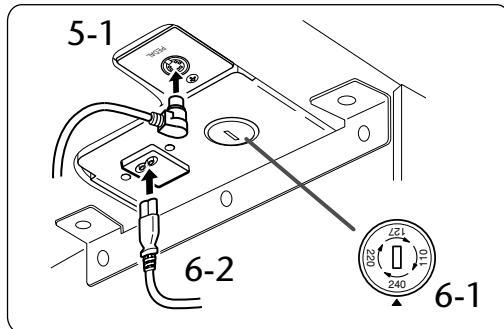


## 5. Connect the pedal cord.

**5-1** Pass the pedal cord from the rear and insert the plug into the pedal connector.

**5-2** Attach the cord holders to the rear panel as shown, then clip the cord into the holders.

**5-3** Use a vinyl tie to take up any slack in the pedal cord.



## 6. Connect the power cord.

**6-1** Set the voltage selector (for models that feature a voltage selector).

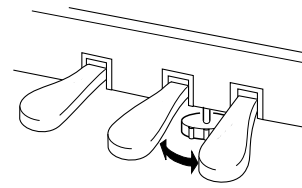
### Voltage Selector

Before connecting the AC power cord, check the setting of the voltage selector which is provided in some areas. To set the selector for 110V, 127V, 220V or 240V main voltages, use a "minus" screwdriver to rotate the selector dial so that the correct voltage for your region appears next to the pointer on the panel. The voltage selector is set at 240V when the unit is initially shipped. After the proper voltage has been selected, connect the AC power cord to the AC IN and an AC wall outlet. A plug adaptor may be also provided in some areas to match the pin configuration of the AC wall outlets in your area.

**6-2** Pass the power cord from the rear and insert the plug into the power connector.

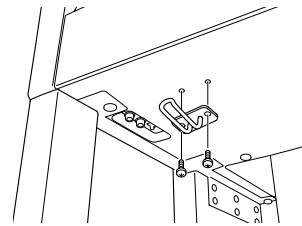
## 7. Set the adjuster.

Rotate the adjuster until the pedal box comes in firm contact with the floor surface.



## 8. Attach the headphone hanger.

Use the included two screws (4 x 10 mm) to attach the hanger as shown in the illustration.



**After completing the assembly, please check the following.**

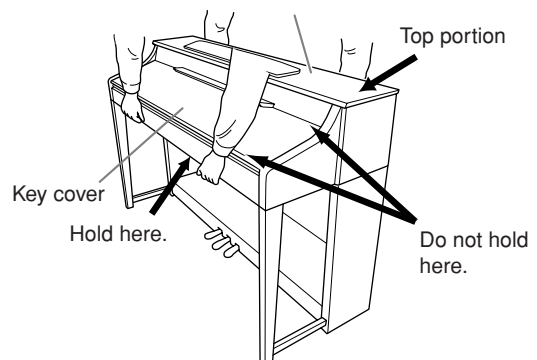
- **Are there any parts left over?**  
Review the assembly procedure and correct any errors.
- **Is the instrument clear of doors and other movable fixtures?**  
Move the instrument to an appropriate location.
- **Does the instrument make a rattling noise when you shake it?**  
Tighten all screws.
- **Does the pedal box rattle or give way when you step on the pedals?**  
Turn the adjuster so that it is set firmly against the floor.
- **Are the pedal and power cords inserted securely into the sockets?**  
Check the connection.
- **If the unit creaks or is otherwise unsteady when you play on the keyboard, refer to the assembly diagrams and retighten all screws.**

### ⚠ CAUTION

When moving the instrument after assembly, always hold instrument by the lower surface in the front of the main unit and by the handles in the rear of the main unit.

### ⚠ CAUTION

Do not hold the key cover or top portion. Improper handling can result in damage to the instrument or personal injury.

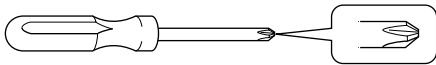


# CLP-340/330: Keyboard Stand Assembly

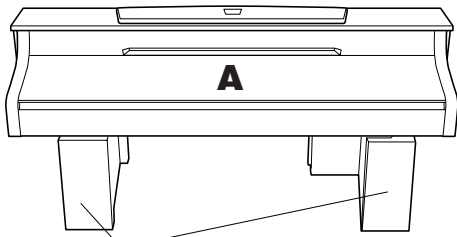
**⚠ CAUTION**

- Assemble the unit on a flat floor surface.
- Be careful not to confuse parts, and be sure to install all parts in the correct orientation. Please assemble the unit in accordance with the sequence given below.
- Assembly should be carried out by at least two persons.
- Be sure to use only the included screws of the specified sizes. Do not use any other screws. Use of incorrect screws can cause damage or malfunction of the product.
- Be sure to tighten all screws upon completing assembly of the unit.
- To disassemble the unit, reverse the assembly sequence given below.

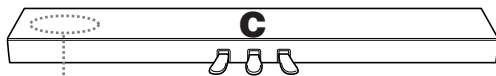
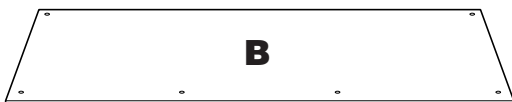
Have a Philips-head (+) screwdriver of the appropriate size ready.



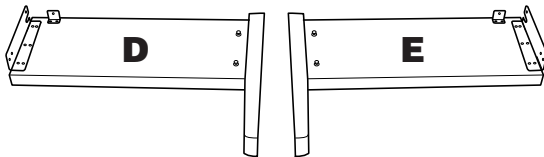
Remove all parts from the package and make sure you have all of the items.



**Foamed styrol pads**  
Remove foamed styrol pads from the package, position them on the floor, then place A on top of them. Position the pads so that they will not hide the connectors on the bottom of A.



A bundled pedal cord is attached to the reverse side.



**Assembly Parts**

- |                            |                              |
|----------------------------|------------------------------|
| 6 x 25 mm long screws x 4  | 4 x 20 mm tapping screws x 4 |
|                            |                              |
| 6 x 16 mm short screws x 4 | Cord holders x 2             |
|                            |                              |
| 4 x 12 mm thin screws x 2  |                              |
|                            |                              |

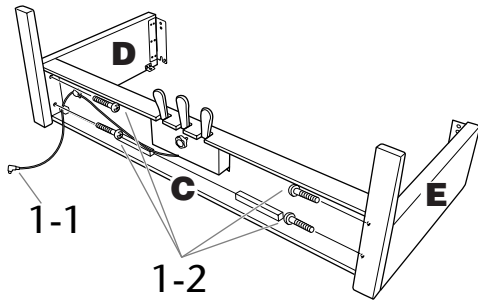
**Headphone hanger**

- |                           |                  |
|---------------------------|------------------|
| 4 x 10 mm thin screws x 2 | Headphone hanger |
|                           |                  |

Power cord



## 1. Attach C to D and E.



**1-1** Untie and straighten out the bundled pedal cord. Do not discard the vinyl tie. You will need it later in step 5.

**1-2** Attach D and E to C by tightening four long screws (6 x 25 mm).

## 2. Attach B.

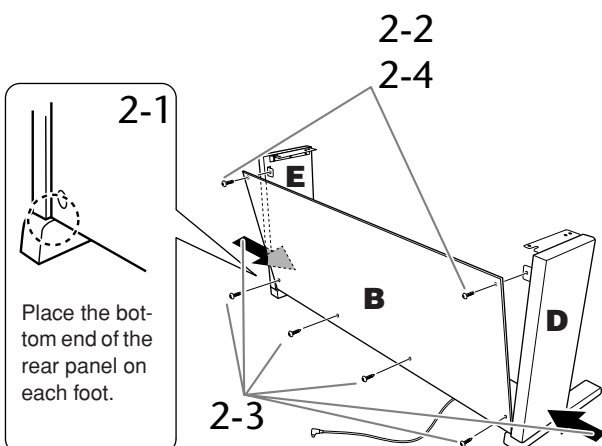
Depending on the model of Clavinova you purchased, the surface color of one side of B may be different from the other side. In this case, position B so that the side of the surface color most similar to D and E faces you (as you would play the instrument).

**2-1** Place the lower side of B on each foot of D and E, then align the screw holes on the upper side of B with the bracket holes on D and E.

**2-2** Attach the top corners of B to D and E by finger-tightening two thin screws (4 x 12 mm).

**2-3** While pushing the lower part of D and E from outside, secure the bottom end of B using four tapping screws (4 x 20 mm).

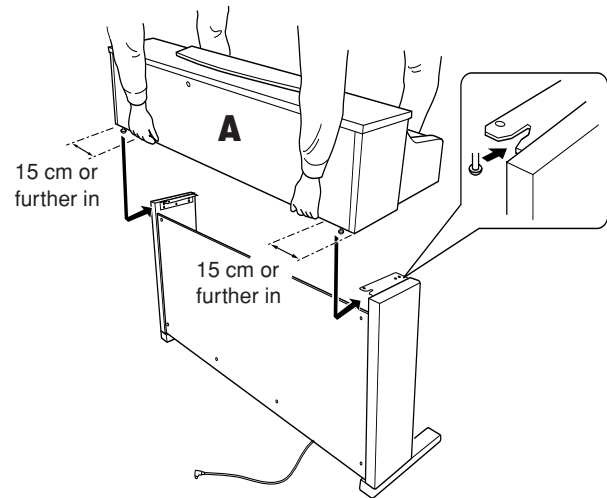
**2-4** Securely tighten the screws on the top of B that were attached in Step 2-2.



Place the bottom end of the rear panel on each foot.

## 3. Mount A.

Be sure to place your hands at least 15 cm from either end of the main unit when positioning it.



### ⚠ CAUTION

Be extra careful not to drop or let your fingers be pinched by the main unit.

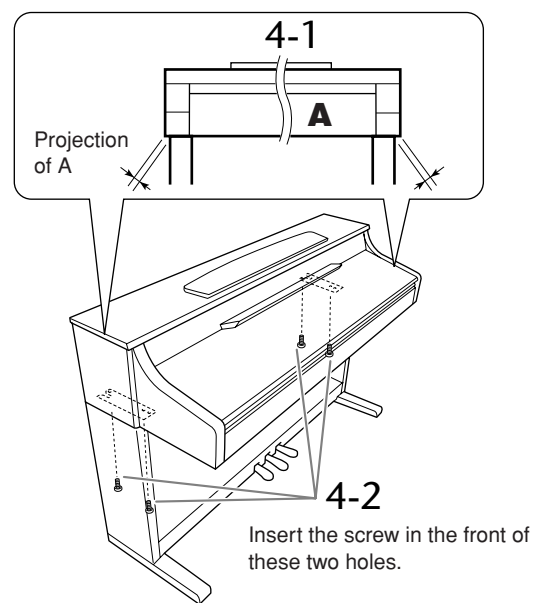
### ⚠ CAUTION

Do not hold the main unit in any position other than the position specified above.

## 4. Secure A.

**4-1** Adjust the position of A so that the left and right ends of A will project beyond D and E equally (as seen from the front).

**4-2** Secure A by tightening the short screws (6 x 16 mm) from the front.



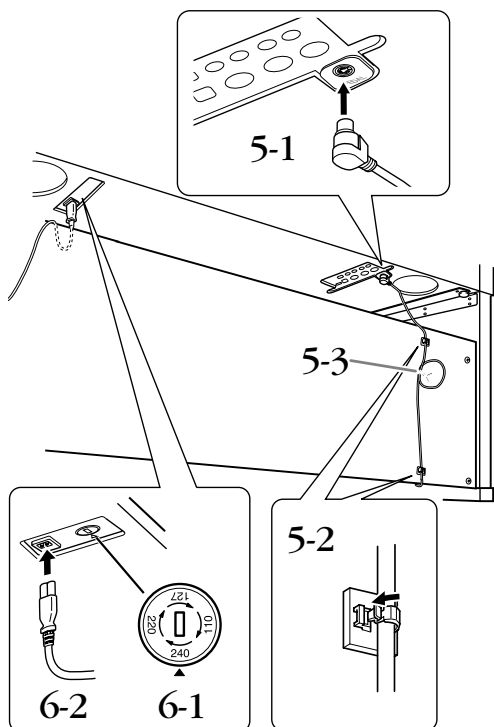
Insert the screw in the front of these two holes.

## 5. Connect the pedal cord and power cord.

**5-1** Pass the pedal cord from the rear and insert the plug into the pedal connector.

**5-2** Attach the cord holders to the rear panel as shown, then clip the cord into the holders.

**5-3** Use a vinyl tie to take up any slack in the pedal cord.



## 6. Connect the power cord.

**6-1** Set the voltage selector (for models that feature a voltage selector).

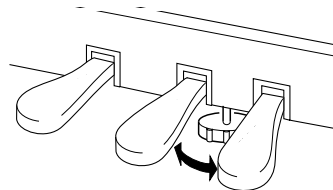
### Voltage Selector

Before connecting the AC power cord, check the setting of the voltage selector which is provided in some areas. To set the selector for 110V, 127V, 220V or 240V main voltages, use a "minus" screwdriver to rotate the selector dial so that the correct voltage for your region appears next to the pointer on the panel. The voltage selector is set at 240V when the unit is initially shipped. After the proper voltage has been selected, connect the AC power cord to the AC IN and an AC wall outlet. A plug adaptor may be also provided in some areas to match the pin configuration of the AC wall outlets in your area.

**6-2** Pass the power cord from the rear and insert the plug into the power connector.

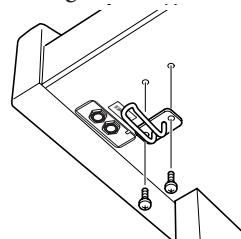
## 7. Set the adjuster.

Rotate the adjuster until the pedal box comes in firm contact with the floor surface.



## 8. Attach the headphone hanger.

Use the included two screws (4 x 10 mm) to attach the hanger as shown in the illustration.



After completing the assembly, please check the following.

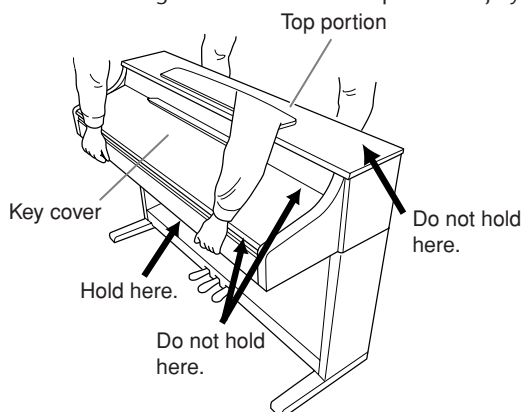
- **Are there any parts left over?**  
Review the assembly procedure and correct any errors.
- **Is the instrument clear of doors and other movable fixtures?**  
Move the instrument to an appropriate location.
- **Does the instrument make a rattling noise when you shake it?**  
Tighten all screws.
- **Does the pedal box rattle or give way when you step on the pedals?**  
Turn the adjuster so that it is set firmly against the floor.
- **Are the pedal and power cords inserted securely into the sockets?**  
Check the connection.
- **If the unit creaks or is otherwise unsteady when you play on the keyboard, refer to the assembly diagrams and retighten all screws.**

### ⚠ CAUTION

When moving the instrument after assembly, always hold the bottom of the main unit.

### ⚠ CAUTION

Do not hold the key cover or top portion. Improper handling can result in damage to the instrument or personal injury.

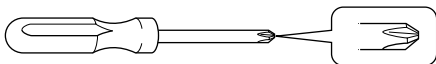


# CLP-S308/S306: Keyboard Stand Assembly

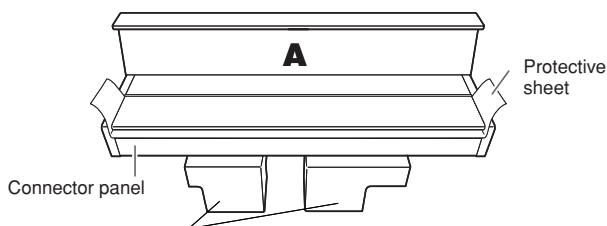
**⚠ CAUTION**

- Assemble the unit on a flat floor surface.
- Be careful not to confuse parts, and be sure to install all parts in the correct orientation. Please assemble the unit in accordance with the sequence given below.
- Assembly should be carried out by at least two persons.
- Be sure to use only the included screws of the specified sizes. Do not use any other screws. Use of incorrect screws can cause damage or malfunction of the product.
- Be sure to tighten all screws upon completing assembly of the unit.
- To disassemble the unit, reverse the assembly sequence given below.

Have a Philips-head (+) screwdriver of the appropriate size ready.



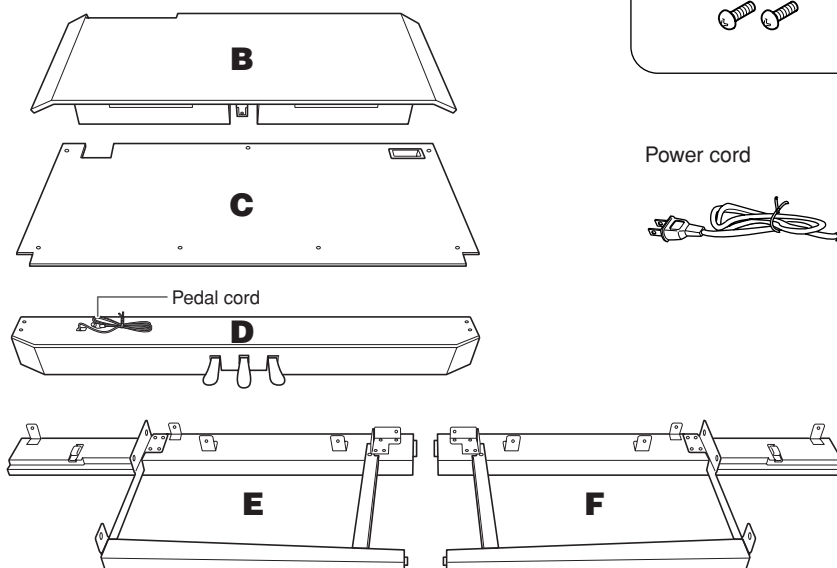
Remove all parts from the package and make sure you have all of the items.



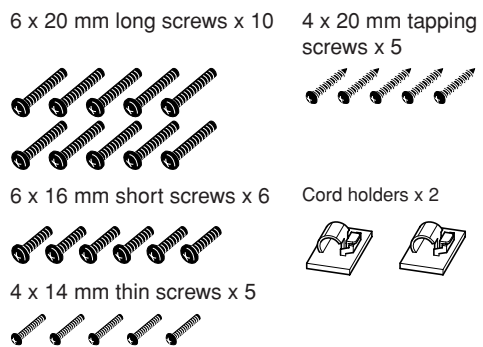
**Foamed styrol pads**  
Remove foamed styrol pads from the package, position them on the floor, then place A on top of them. Position the pads so that they will not hide the connectors on the bottom of A.

**⚠ CAUTION**

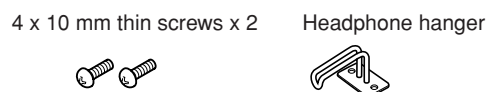
Please keep the protective sheet for later use. It will be used to protect the keyboard from being scratched when the instrument is transported. The protective sheet should be spread over the entire keyboard before closing the key cover.



**Assembly Parts**

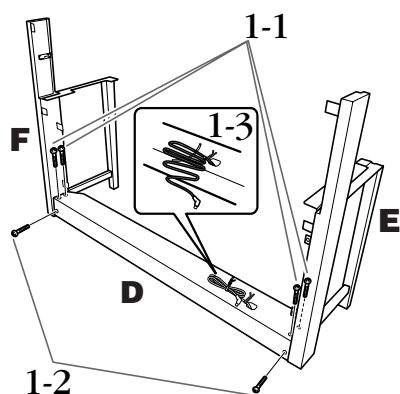


**Headphone hanger**



Power cord



**1. Attach D to E and F.**

**1-1** Attach D to E and F by using four long screws (6 x 20 mm).

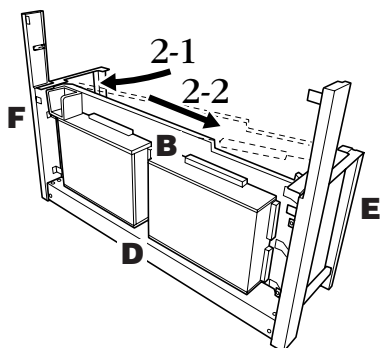
**1-2** Secure D from the rear using two long screws (6 x 20 mm).

**1-3** Remove the twist tie from the folded pedal cord. Do not remove the twist tie that is located next to the hole.

**2. Temporarily mount B.**

**2-1** Insert B between E and F as shown in the illustration.

**2-2** Align and attach B to the front side of D, E and F.

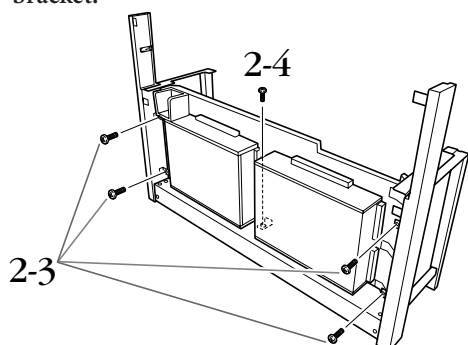


**2-3** Temporarily secure B by finger-tightening four long screws (6 x 20mm).

\* Insert four screws into the larger holes (all four holes) on the brackets.

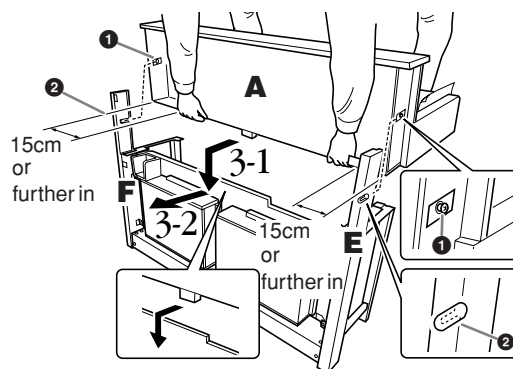
**2-4** Secure B using a thin screw (4 x 14 mm).

\* Insert the screw into the smaller hole on the bracket.

**3. Mount A.**

**3-1** Place your hands at least 15 cm from either end of A to mount it.

**3-2** Position A so that the stopper-wood on the rear side of the bottom of A will be located behind the front panel, then slide A slowly toward the rear while lightly pushing E and F toward the center.  
\* Be sure to slide the guide pins ① on each side of A into the guide slots ② on E and F respectively.

**⚠ CAUTION**

Be extra careful to avoid pinching your fingers or dropping A.

**⚠ CAUTION**

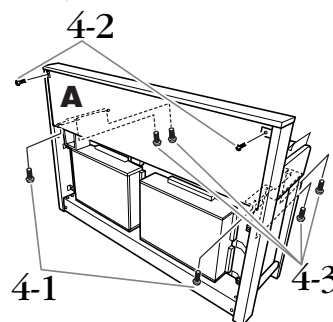
Do not hold the keyboard in any position other than the position shown in the illustration.

**4. Secure A.**

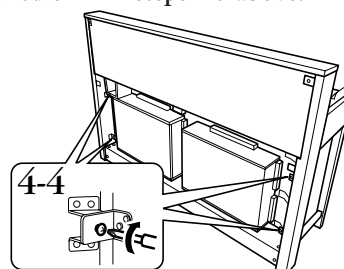
**4-1** Secure A from the rear using two short screws (6 x 16 mm).

**4-2** Secure A from the rear using two thin screws (4 x 14 mm).

**4-3** Secure A from the front using four short screws (6 x 16mm).



**4-4** Firmly tighten the screws you temporarily fastened on B in steps 2-3 above.

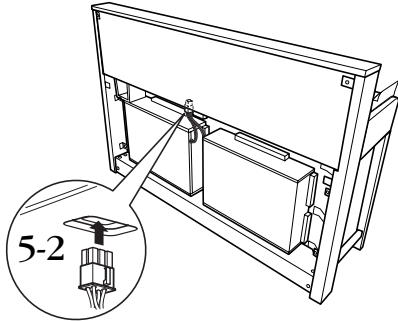




## 5. Connect the speaker cord.

5-1 Remove the twist tie attaching the speaker cord.

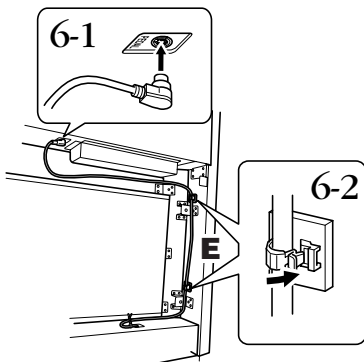
5-2 Insert the speaker cord plug into the connector so that the protruding tab on the plug faces toward right when viewed from the rear.



## 6. Connect the pedal cord.

6-1 Insert the pedal cord plug into the [PEDAL] connector.

6-2 Attach the cord holders to the instrument as shown, then clip the cord into the holders. At this time, be careful not to allow too much slack in the pedal cord between the plug and cord holder.

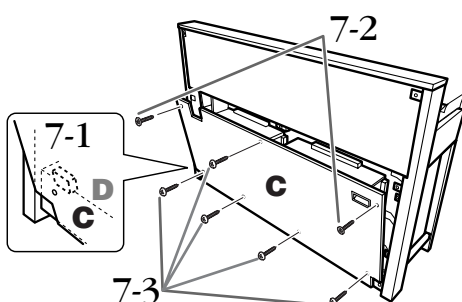


## 7. Attach C.

7-1 Place on D, the stopper-wood in the bottom corners of C, then attach the top of C.

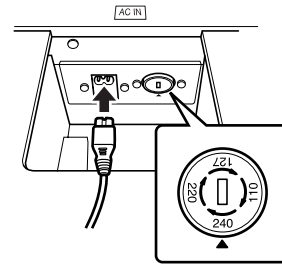
7-2 Secure upper right and left of C using two thin screws (4 x 14 mm).

7-3 Secure upper center and bottom of C using five tapping screws (4 x 20 mm).



## 8. Connect the power cord.

8-1 For models that feature a voltage selector: Set the voltage selector to an appropriate voltage.



### Voltage Selector

Before connecting the AC power cord, check the setting of the voltage selector which is provided in some areas. To set the selector for 110V, 127V, 220V or 240V main voltages, use a "minus" screwdriver to rotate the selector dial so that the correct voltage for your region appears next to the pointer on the panel. The voltage selector is set at 240V when the unit is initially shipped. After the proper voltage has been selected, connect the AC power cord to the AC IN and an AC wall outlet. A plug adaptor may be also provided in some areas to match the pin configuration of the AC wall outlets in your area.

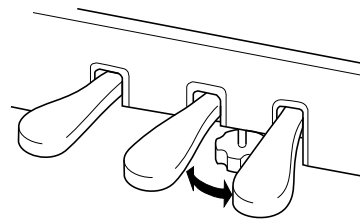
### ⚠ WARNING

An improper voltage setting can cause serious damage to the Clavinova or result in improper operation.

8-2 Insert the AC power cord plug into the [AC IN] connector.

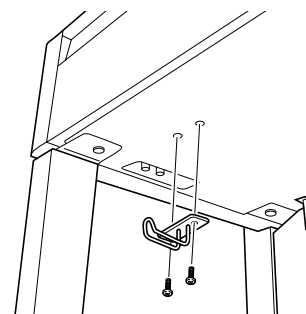
## 9. Set the adjuster to secure the pedals.

Rotate the adjuster until the pedal box comes in firm contact with the floor surface.



## 10. Attach the headphone hanger.

Use the included two screws (4 x 10 mm) to attach the hanger as shown in the illustration.



**After completing the assembly, please check the following.**

- **Are there any parts left over?**  
Review the assembly procedure and correct any errors.
- **Is the instrument clear of doors and other movable fixtures?**  
Move the instrument to an appropriate location.
- **Does the instrument make a rattling noise when you shake it?**  
Tighten all screws.
- **Does the pedal box rattle or give way when you step on the pedals?**  
Turn the adjuster so that it is set firmly against the floor.
- **Are the pedal and power cords inserted securely into the sockets?**  
Check the connection.
- **If the unit creaks or is otherwise unsteady when you play on the keyboard, refer to the assembly diagrams and retighten all screws.**

**⚠ CAUTION**

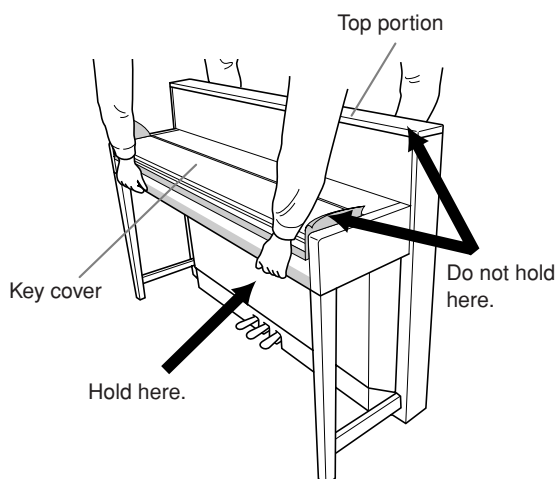
When moving the instrument after assembly, always hold the bottom of the main unit.

**⚠ CAUTION**

Do not hold the key cover or top portion. Improper handling can result in damage to the instrument or personal injury.

**⚠ CAUTION**

When transporting the instrument, cover the entire keyboard with the protective sheet (page 87) before closing the key cover. The sheet will protect the keyboard from being scratched.

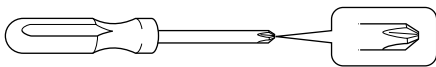


# Installing the Optional Floppy Disk Drive (CLP-370/340)

The optional UD-FD01 floppy disk drive can be installed to the bottom of the instrument by using the included floppy disk drive case and screws.

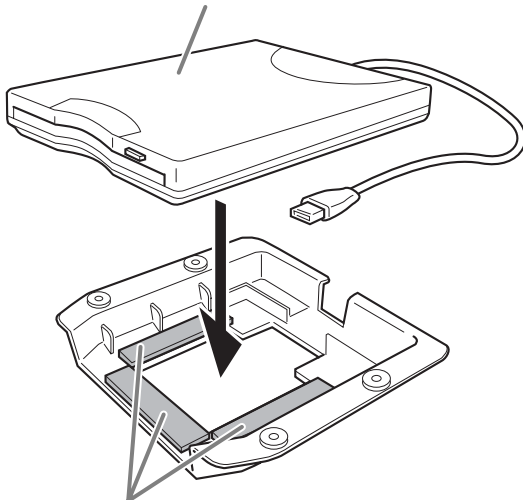
For the CLP-330 and CLP-S308/S306: The disk drive can be used with the instrument but cannot be attached as described here. When using the floppy disk drive with these models, simply put the drive on the top panel. Make sure to remove the connected disk cable before you close the key cover.

Have a Phillips-head (+) screwdriver ready.



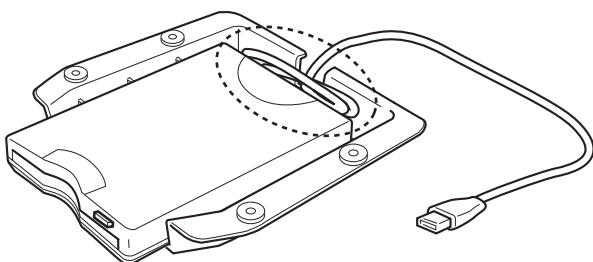
- 1. Remove the three backing papers from the adhesive tape in the case, and fit the floppy disk drive into the case.**

Insert the drive to the case, with the side having the rubber stoppers facing the case.

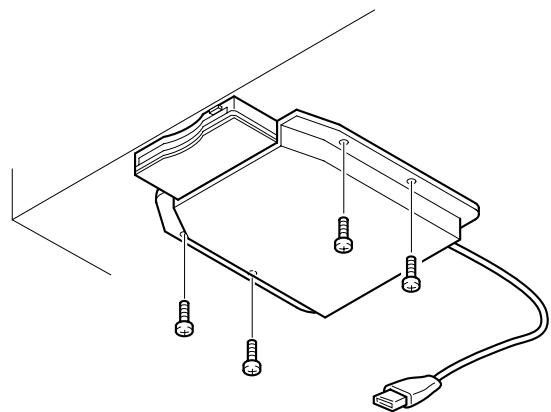


Dual-sided adhesive tape

- 2. Fold the USB cable inside the case as shown.**



- 3. Attach the drive and case assembly to the left underside of the instrument, using the included four screws (4mm x 10mm).**



- 4. Connect the USB cable to the USB [TO DEVICE] terminal.**

# Preset Voice List

CLP-370/340

○: Yes  
—: No

| Voice Name           | Stereo Sampling | Touch Response | Dynamic Sampling <sup>*1</sup> | Key-Off Sampling <sup>*2</sup> | Voice Descriptions  |
|----------------------|-----------------|----------------|--------------------------------|--------------------------------|---|
| <b>GRANDPIANO 1</b>  | ○               | ○              | ○                              | ○                              | Recorded samples from a full concert grand piano. Also includes four levels of dynamic sampling, sustain samples, and key-off samples for exceptionally realistic acoustic grand piano sound. Perfect for classical compositions as well as any other style that requires acoustic piano. |
| <b>VARIATION</b>     | ○               | ○              | ○                              | ○                              | Warm and mellow piano. Good for classical compositions.   |
| <b>GRANDPIANO 2</b>  | ○               | ○              | —                              | —                              | Spacious and clear piano with bright reverb. Good for popular music.  |
| <b>VARIATION</b>     | ○               | ○              | —                              | —                              | Bright, spacious piano. Good for popular or rock music.   |
| <b>E.PIANO 1</b>     | —               | ○              | ○                              | —                              | An electronic piano sound created by FM synthesis. Extremely “musical” response with varying timbre according to keyboard dynamics. Good for standard popular music.  |
| <b>VARIATION</b>     | —               | ○              | —                              | —                              | A synth-generated type electronic piano sound often heard in popular music. Used in the DUAL mode it blends well with an acoustic piano voice.  |
| <b>E.PIANO 2</b>     | —               | ○              | ○                              | ○                              | The sound of an electric piano using hammer-struck metallic “tines.” Soft tone when played lightly, and an aggressive tone when played hard.  |
| <b>VARIATION</b>     | —               | ○              | ○                              | —                              | A slightly different electric piano sound often heard in rock and popular music.  |
| <b>HARPSICHORD</b>   | ○               | —              | —                              | ○                              | The definitive instrument for baroque music. Since harpsichord uses plucked strings, there is no touch response. There is, however, a characteristic additional sound when the keys are released.   |
| <b>VARIATION</b>     | ○               | —              | —                              | ○                              | Mixes the same voice an octave higher for a more brilliant tone.  |
| <b>E. CLAVICHORD</b> | —               | ○              | —                              | ○                              | A hammer-struck keyboard instrument that utilizes an electric pickup that is often heard in funk and soul music. Its tone is noted for the unique sound produced when the keys are released.  |
| <b>VARIATION</b>     | —               | ○              | —                              | ○                              | Includes a unique preset effect.  |
| <b>VIBRAPHONE</b>    | ○               | ○              | ○                              | —                              | Vibraphone played with relatively soft mallets. The tone becomes more metallic the harder you play.   |
| <b>VARIATION</b>     | ○               | ○              | —                              | —                              | Stereo-sampled, spacious, and realistic marimba.  |
| <b>CHURCH ORGAN</b>  | ○               | —              | —                              | —                              | This is a typical pipe organ sound (8 feet + 4 feet + 2 feet). Good for sacred music from the Baroque period.   |
| <b>VARIATION</b>     | ○               | —              | —                              | —                              | This is the organ’s full coupler sound often associated with Bach’s “Toccatina and Fugue.”  |
| <b>JAZZ ORGAN</b>    | —               | —              | —                              | —                              | The sound of a “tonewheel” type electric organ. Often heard in jazz and rock idioms.  |
| <b>VARIATION</b>     | —               | —              | —                              | —                              | Uses a rotary speaker effect with a different speed. The variations speed is faster. If the variation is selected while holding a chord, the speed of the effect will gradually change.   |
| <b>STRINGS</b>       | ○               | ○              | —                              | —                              | Stereo-sampled, large-scale strings ensemble with realistic reverb. Try combining this voice with piano in the DUAL mode.   |
| <b>VARIATION</b>     | ○               | ○              | —                              | —                              | Spacious strings ensemble with a slow attack. Try combining this voice with a piano or electric piano in the DUAL mode.   |
| <b>CHOIR</b>         | —               | ○              | —                              | —                              | A big, spacious choir voice. Perfect for creating rich harmonies in slow pieces.  |
| <b>VARIATION</b>     | —               | ○              | —                              | —                              | A choir voice with a slow attack. Try combining this voice with a piano or electric piano in the DUAL mode.   |

| Voice Name       | Stereo Sampling | Touch Response | Dynamic Sampling <sup>*1</sup> | Key-Off Sampling <sup>*2</sup> | Voice Descriptions   |
|------------------|-----------------|----------------|--------------------------------|--------------------------------|--|
| <b>GUITAR</b>    | ○               | ○              | ○                              | —                              | Warm and natural-sounding nylon guitar. Enjoy the quiet ambience of nylon strings. |
| <b>VARIATION</b> | —               | ○              | —                              | —                              | Bright, brilliant steel guitar. Suitable for popular music.                        |
| <b>WOOD BASS</b> | —               | ○              | ○                              | —                              | An upright bass played fingerstyle. Ideal for jazz and Latin music.                |
| <b>VARIATION</b> | —               | ○              | ○                              | —                              | Adds a cymbal voice to the bass sound. Ideal for walking bass lines in jazz tunes. |
| <b>E.BASS</b>    | —               | ○              | —                              | —                              | Electric bass for a wide range of music styles, jazz, rock, popular, and more.     |
| <b>VARIATION</b> | —               | ○              | —                              | —                              | A fretless bass good for styles such as jazz, fusion, etc.                         |

\*1. Dynamic Sampling provides multiple velocity-switched samples to accurately simulate the timbral response of an acoustic instrument.

\*2. Contains a very subtle sample that is produced when the keys are released.

○: Yes  
—: No

## CLP-330, CLP-S308/S306

| Voice Name            | Stereo Sampling | Touch Response | Dynamic Sampling <sup>*1</sup> | Key-Off Sampling <sup>*2</sup> | Voice Descriptions  |
|-----------------------|-----------------|----------------|--------------------------------|--------------------------------|---|
| <b>GRANDPIANO 1</b>   | ○               | ○              | ○                              | —                              | Recorded samples from a full concert grand piano. Perfect for classical compositions as well as any other style that requires acoustic piano.   |
| <b>GRANDPIANO 2</b>   | ○               | ○              | —                              | —                              | Spacious and clear piano with bright reverb. Good for popular music.  |
| <b>E.PIANO 1</b>      | —               | ○              | ○                              | —                              | An electronic piano sound created by FM synthesis. Good for standard popular music.   |
| <b>E.PIANO 2</b>      | —               | ○              | ○                              | ○                              | The sound of an electric piano using hammer-struck metallic "tines." Soft tone when played lightly, and an aggressive tone when played hard.  |
| <b>HARPSICHORD 1</b>  | ○               | —              | —                              | ○                              | The definitive instrument for baroque music. Since harpsichord uses plucked strings, there is no touch response. There is, however, a characteristic additional sound when the keys are released. |
| <b>HARPSICHORD 2</b>  | ○               | —              | —                              | ○                              | Mixes the same voice an octave higher for a more brilliant tone.  |
| <b>VIBRAPHONE</b>     | ○               | ○              | ○                              | —                              | Vibraphone played with relatively soft mallets. The tone becomes more metallic the harder you play.   |
| <b>CHURCH ORGAN 1</b> | ○               | —              | —                              | —                              | This is a typical pipe organ sound (8 feet + 4 feet + 2 feet). Good for sacred music from the Baroque period.   |
| <b>CHURCH ORGAN 2</b> | ○               | —              | —                              | —                              | This is the organ's full coupler sound often associated with Bach's "Toccatina and Fugue."  |
| <b>JAZZ ORGAN</b>     | —               | —              | —                              | —                              | The sound of a "tonewheel" type electric organ. Often heard in jazz and rock idioms.  |
| <b>STRINGS 1</b>      | ○               | ○              | —                              | —                              | Stereo-sampled, large-scale strings ensemble with realistic reverb. Try combining this voice with piano in the DUAL mode.   |
| <b>STRINGS 2</b>      | ○               | ○              | —                              | —                              | Spacious strings ensemble with a slow attack. Try combining this voice with a piano or electric piano in the DUAL mode.   |
| <b>CHOIR</b>          | —               | ○              | —                              | —                              | A big, spacious choir voice. Perfect for creating rich harmonies in slow pieces.  |
| <b>GIUITAR</b>        | ○               | ○              | ○                              | —                              | Warm and natural-sounding nylon guitar. Enjoy the quiet ambience of nylon strings.  |

\*1. Dynamic Sampling provides multiple velocity-switched samples to accurately simulate the timbral response of an acoustic instrument.

\*2. Contains a very subtle sample that is produced when the keys are released.

# Demo Song List

○: Included  
—: Not included

| Voice Name    | CLP-370/340 | CLP-330,<br>CLP-S308/<br>S306 | Title  | Composer    |
|---------------|-------------|-------------------------------|--|-------------|
| GRAND PIANO1  | ○           | ○                             | Albumband, Lyriske stykker<br>IV, op.47-2                                      | E. H. Grieg |
| HARPSICHORD   | ○           | —                             | Concerto a cembalo obbligato,<br>2 violini, viola e continuo<br>No.7, BWV.1058 | J. S. Bach  |
| HARPSICHORD1  | —           | ○                             |  |             |
| HARPSICHORD2  | —           | ○                             | Gigue, Französische Suiten<br>Nr.5, BWV.816                                    |             |
| CHURCH ORGAN  | ○           | —                             | Herr Christ, der ein'ge Gottes-<br>Sohn, BWV.601                               |             |
| CHURCH ORGAN1 | —           | ○                             |  |             |
| CHURCH ORGAN2 | —           | ○                             | Triosonate Nr.6, BWV.530   |             |

The demonstration pieces listed above are short rearranged excerpts of the original compositions.  
All other songs are original (©2008 Yamaha Corporation).

## Piano Voice Demo Description (CLP-370/340)

| Voice Name   | Piano Voice Demo         |
|--------------|--------------------------|
| GRAND PIANO1 | Stereo sampling          |
| GRAND PIANO2 | Monaural sampling        |
| E.PIANO1     | With sustain sampling    |
| E.PIANO2     | Without sustain sampling |
| HARPSICHORD  | With key-off sampling    |
| E.CLAVICHORD | Without key-off sampling |

# Index

## Numerics

- 50 greats for the Piano ..... 17  
 50 Piano Preset Songs ..... 17

## A

- A-B Repeat ..... 19  
 Adjust  
   Tempo (50 Piano Preset Songs) ..... 17  
   Tempo (Recorded Songs) ..... 44  
   Volume (50 Piano Preset Songs) ..... 17  
   Volume (Metronome) ..... 67  
 ALL (LED display) ..... 17, 45  
 Assembly ..... 81  
 AUX IN [L/L+R][R] jacks ..... 72  
 AUX OUT [L/L+R][R] jacks ..... 71

## B

- Backup (Data) ..... 78  
 Backup Functions ..... 70  
 [BRILLIANCE] button ..... 22

## C

- Character Code ..... 70  
 Combining Two Voices (Dual mode) ..... 26  
 Connecting a Personal Computer ..... 75, 76, 77  
 Connection to a USB storage device ..... 73  
 Connections ..... 71  
   Computer ..... 75, 76, 77  
   USB storage device ..... 73  
 Connectors ..... 71

## D

- Damper Pedal ..... 21  
 Damper Pedal Range ..... 65  
 [DAMPER RES.] button ..... 23  
 Damper Resonance ..... 23  
 Delete ..... 39  
 [DEMO] button ..... 16  
 Demo Song List ..... 95  
 Demonstration Tunes ..... 16  
 Display ..... 14  
 Dual mode ..... 26, 64

## E

- [EFFECT] button ..... 22, 23

- Equal Temperament ..... 63  
 Export ..... 36

## F

- Factory Setting List ..... 98  
 [FILE] button ..... 37  
 Fine Tuning of the Pitch ..... 62  
 Floppy Disk Drive ..... 42  
   Installation ..... 91  
 Format ..... 40, 41, 42  
 Function ..... 62  
   Basic Procedure ..... 60  
   Parameter List ..... 59

## H

- Half-pedal ..... 21  
 Hz (Hertz) ..... 62

## I

- Internet Direct Connection ..... 46  
 Internet Settings ..... 49  
 Internet song ..... 56

## K

- Key Cover ..... 12  
 Keyboard Stand ..... 81  
 Keyoff Sample Volume ..... 66  
 Kirnberger ..... 63

## L

- LAN Port driver ..... 53  
 LAN Settings ..... 49, 70  
 [LAN] terminal ..... 72  
 [LEFT] button ..... 18, 33  
 Left Pedal ..... 21  
 Left Pedal Mode ..... 66  
 List  
   Factory Setting ..... 98  
   Functions ..... 59  
   Preset Voice ..... 94  
 Load ..... 36, 38, 45

## M

- [MASTER VOLUME] slider ..... 15  
 Mean Tone ..... 63



|                                       |        |
|---------------------------------------|--------|
| Message List .....                    | 79     |
| Metronome .....                       | 29     |
| METRONOME [ON/OFF] button.....        | 67, 29 |
| Metronome Volume .....                | 67     |
| MIDI .....                            | 72     |
| MIDI Functions.....                   | 67     |
| MIDI [IN] [OUT] [THRU] terminals..... | 72     |
| Music Braces (CLP-370/340) .....      | 14     |
| Music Rest.....                       | 13     |
| Musicsoft Downloader .....            | 78     |

## N

|                     |    |
|---------------------|----|
| Normal setting..... | 22 |
|---------------------|----|

## P

|   |        |
|---|--------|
| Part Cancel.....                                      | 18     |
| Part Playback On and Off.....                         | 45     |
| [PEDAL] jack.....                                     | 83     |
| Pedal Play/Pause .....                                | 45     |
| Pedals .....  | 21     |
| [PHONES] jacks .....                                  | 15     |
| Piano Voice Demo Description .....                    | 95     |
| [PLAY/PAUSE] button.....                              | 16, 17 |
| Play/Pause playback<br>Useful Playback Functions..... | 45     |
| Playing Back Songs .....                              | 43, 44 |
| [POWER] switch .....                                  | 14     |
| Practicing a One-Hand Part Using the 50 Preset Songs. | 18     |
| Preset Song.....                                      | 17     |
| Preset Voice List.....                                | 92, 94 |
| Program version number .....                          | 53     |
| Pure Major .....                                      | 63     |
| Pure Minor.....                                       | 63     |
| Pythagorean .....                                     | 63     |

## R

|                        |        |
|------------------------|--------|
| [REC] button .....     | 31     |
| Recording.....         | 30     |
| Initial Settings.....  | 35     |
| RIGHT/LEFT parts.....  | 33     |
| Re-recording .....     | 32, 34 |
| [REVERB] button.....   | 22     |
| [RIGHT] button .....   | 18, 33 |
| Right Pedal.....       | 21     |
| rnd (LED display)..... | 17, 45 |

## S

|            |        |
|------------|--------|
| Save.....  | 36, 37 |
| Scale..... | 63     |

|                                      |            |
|--------------------------------------|------------|
| [SELECT] switch .....                | 73         |
| SMF (Standard MIDI File).....        | 36         |
| Soft Pedal.....                      | 21, 66     |
| Soft Pedal Effect Depth .....        | 66         |
| Song .....                           | 17         |
| SONG [PLAY/PAUSE] button .....       | 16, 17, 44 |
| [SONG SELECT] button .....           | 17, 44     |
| SONG [STOP] button.....              | 17, 44     |
| [SPEAKER] switch .....               | 15         |
| Specifications.....                  | 100        |
| SPLIT (CLP-370/340) (Function) ..... | 65         |
| [SPLIT] button.....                  | 27         |
| Split mode.....                      | 27, 65     |
| Split Point .....                    | 27, 65     |
| Sustain Sample Depth .....           | 66         |
| Sync (Synchronized) .....            | 45         |
| Sync Start .....                     | 18         |

## T

|                               |        |
|-------------------------------|--------|
| [TEMPO/FUNCTION] button ..... | 29, 60 |
| [TOUCH] button .....          | 24     |
| Touch Sensitivity.....        | 24     |
| Transporting.....             | 6      |
| [TRANPOSE] button .....       | 25     |
| Transposition .....           | 25     |
| Troubleshooting.....          | 80     |

## U

|                               |        |
|-------------------------------|--------|
| USB Storage Device.....       | 40, 73 |
| USB [TO DEVICE] terminal..... | 72, 73 |
| USB [TO HOST] terminal.....   | 72, 75 |
| USB-LAN Adapter.....          | 54     |

## V

|                          |    |
|--------------------------|----|
| [VARIATION] button ..... | 22 |
| Voice .....              | 20 |
| Voice group buttons..... | 20 |

## W

|                   |    |
|-------------------|----|
| Werckmeister..... | 63 |
|-------------------|----|

# Factory Setting List / Liste der Vorgabeeinstellungen / Liste des réglages / Lista de ajustes de fábrica

|                                     | Default               | Backup Group    |                               |
|-------------------------------------|-----------------------|-----------------|-------------------------------|
|                                     |                       | CLP-370/<br>340 | CLP-330,<br>CLP-S308/<br>S306 |
| Voice                               | GRAND PIANO 1         | F8.1            | F7.1                          |
| Variation (CLP-370/340)             | OFF                   |                 | —                             |
| Dual Mode                           | OFF                   |                 | F7.1                          |
| Split Mode (CLP-370/340)            | OFF                   |                 | —                             |
| Split Mode Left Voice (CLP-370/340) | WOOD BASS             |                 | —                             |
| Brilliance                          | NORMAL                | F8.4            | F7.4                          |
| Reverb Type                         | Preset for each voice | F8.1            | F7.1                          |
| Reverb Depth                        | Preset for each voice |                 |                               |
| Effect Type                         | Preset for each voice |                 |                               |
| Effect Depth                        | Preset for each voice |                 |                               |
| Touch Sensitivity                   | MEDIUM                |                 |                               |
| Volume in the FIXED Mode            | 64                    |                 |                               |
| DAMPER RES.                         | ON                    | F8.4            | —                             |
| DAMPER RES. Depth                   | 6                     | F8.4            | —                             |
| Metronome                           | OFF                   | —               | —                             |
| Metronome Time Signature            | 0 (no accent)         | —               | —                             |
| Tempo                               | 120                   | —               | —                             |
| Transpose                           | 0                     | F8.3            | F7.3                          |

## Function

| CLP-370/<br>340 | CLP-330,<br>CLP-S308/<br>S306 | Function                | Default                           | Backup Group    |                               |
|-----------------|-------------------------------|-------------------------|-----------------------------------|-----------------|-------------------------------|
|                 |                               |                         |                                   | CLP-370/<br>340 | CLP-330,<br>CLP-S308/<br>S306 |
| F1              | F1                            | Tuning                  | A3=440Hz                          | F8.3            | F7.3                          |
| F2.1            | F2.1                          | Scale                   | 1 (Equal Temperament)             |                 |                               |
| F2.2            | F2.2                          | Base Note               | C                                 |                 |                               |
| F3.1            | F3.1                          | Dual Balance            | Preset for each voice combination | F8.1            | F7.1                          |
| F3.2            | F3.2                          | Dual Detune             | Preset for each voice combination |                 |                               |
| F3.3, F3.4      | F3.3, F3.4                    | Dual Octave Shift       | Preset for each voice combination |                 |                               |
| F3.5, F3.6      | F3.5, F3.6                    | Dual Effect Depth       | Preset for each voice combination |                 |                               |
| F4.1            | —                             | Split Point             | F#2                               |                 |                               |
| F4.2            | —                             | Split Balance           | Preset for each voice combination |                 |                               |
| F4.3, F4.4      | —                             | Split Octave Shift      | Preset for each voice combination |                 |                               |
| F4.5, F4.6      | —                             | Split Effect Depth      | Preset for each voice combination |                 |                               |
| F4.7            | —                             | Damper Pedal Range      | ALL                               | F8.4            | F7.4                          |
| F5.1            | F4.1                          | Left Pedal Mode         | 1 (Soft Pedal)                    |                 |                               |
| F5.2            | F4.2                          | Soft Pedal Effect Depth | 3                                 |                 |                               |
| F5.3            | —                             | Sustain Sample Depth    | 12                                |                 |                               |
| F5.4            | —                             | Keyoff Sample Volume    | 10                                |                 |                               |
| F5.5            | F4.3                          | Song Channel Selection  | ALL                               | F8.1            | F7.1                          |
| F6              | F5                            | Metronome Volume        | 10                                |                 |                               |

| CLP-370/<br>340 | CLP-330,<br>CLP-S308/<br>S306 | Function                         | Default                         | Backup Group     |                               |
|-----------------|-------------------------------|----------------------------------|---------------------------------|------------------|-------------------------------|
|                 |                               |                                  |                                 | CLP-370/<br>340  | CLP-330,<br>CLP-S308/<br>S306 |
| F7.1            | F6.1                          | MIDI Transmit Channel            | 1                               | F8.2             | F7.2                          |
| F7.2            | F6.2                          | MIDI Receive Channel             | ALL                             |                  |                               |
| F7.3            | F6.3                          | Local Control                    | ON                              |                  |                               |
| F7.4            | F6.4                          | Program Change Send &<br>Receive | ON                              |                  |                               |
| F7.5            | F6.5                          | Control Change Send &<br>Receive | ON                              |                  |                               |
| F8              | F7                            | Backup                           | Voice: OFF<br>MIDI – Others: ON | Always backed up |                               |
| F8.5            | F7.5                          | Character Code                   | Int                             |                  |                               |

# Specifications / Technische Daten / Caractéristiques techniques / Especificaciones

|                      |   | CLP-370  | CLP-340   | CLP-330   | CLP-S308   | CLP-S306  |
|----------------------|---|--|---|---|--|---|
| Size /<br>Weight     | Width   | 1408 mm (55-7/16")   |   |   | 1449 mm (57-1/16")   |   |
|                      | Height<br>[For models with<br>polished finish]                    | 917 mm (36-1/8")<br>[920 mm (36-1/4")]   |   |   | [977 mm (38-7/16")]  |   |
|                      | Height with music<br>rest<br>[For models with<br>polished finish] | 1018 mm (40-1/16")<br>[1019 mm (40-1/8")]  |   | 1019 mm (40-1/8")<br>[1021 mm (40-3/16")]           | —  |   |
|                      | Depth   | 511mm (20-1/8")  | 514mm (20-1/4")   |   | 430 mm (16-15/16")   |   |
|                      | Weight<br>[For models with<br>polished finish]                    | 78 kg (171lbs., 15 oz.)<br>[81 kg (178lbs., 9 oz.)]  | 69 kg (152lbs., 2 oz.)<br>[71 kg (156lbs., 8 oz.)]          | 65 kg (143lbs., 5 oz.)<br>[68 kg (149lbs., 15 oz.)] | [78 kg (171lbs., 15 oz.)]  |   |
| Control<br>Interface | Number of Keys  | 88   |   |   |  |   |
|                      | Keyboard Type   | NW<br>(Natural Wood)<br>with<br>Synthetic ivory<br>keytops<br>(Wood is used for the<br>white keys) | GH3<br>(Graded Hammer 3)<br>with Synthetic ivory<br>keytops | GH3<br>(Graded Hammer 3)                            | NW<br>(Natural Wood)<br>with<br>Synthetic ivory<br>keytops<br>(Wood is used for<br>the white keys) | GH3<br>(Graded Hammer 3)<br>with Synthetic ivory<br>keytops |
|                      | Touch Sensitivity   | Yes  |   |   |  |   |
|                      | Number of Pedal   | 3  |   |   |  |   |
|                      | Half Pedal  | Yes  |   |   |  |   |
|                      | Pedal Functions   | Damper (with half-pedal effect), Sostenuto, Soft   |   |   |  |   |
|                      | Display   | 7-Segment LED  |   |   |  |   |
| Cabinet              | Key Cover Style   | Sliding  |   |   | Folding  |   |
|                      | Music Rest  | Yes  |   |   |  |   |
|                      | Music Clips   | Yes  |   | —   |  |   |
| Voices               | Tone Generation<br>Technology                                     | AWM Dynamic Stereo Sampling  |   |   |  |   |
|                      | Stereo Sustain<br>Samples   | Yes  |   | —   |  |   |
|                      | Key-off Samples   | Yes  |   | —   |  |   |
|                      | Number of Polyphony<br>(Max.)                                     | 128  |   |   |  |   |
|                      | Number of Voices  | 14 x 2<br>variations   |   | 14  |  |   |
| Effect               | Reverb  | 4 types  |   |   |  |   |
|                      | Brilliance  | 5 types  |   |   |  |   |
|                      | Chorus  | Yes  |   |   |  |   |
|                      | Dual  | Yes  |   |   |  |   |
|                      | Split   | Yes  |   | —   |  |   |

|                         |                        | CLP-370          | CLP-340  | CLP-330 | CLP-S308 | CLP-S306         |
|-------------------------|------------------------|------------------|--|---------|----------|------------------|
| Songs                   | Number of Preset Songs |                  | 50   |         |          |                  |
|                         | Recording              | Number of Songs  | 3  |         |          |                  |
|                         |                        | Number of Tracks | 2  |         |          |                  |
|                         |                        | Data Capacity    | User songs (100KB X 3 (ca.11,000 notes X 3)),<br>External songs (447KB)  |         |          |                  |
|                         | Compatible Data Format | Playback         | SMF (Format 0 & 1)   |         |          |                  |
|                         |                        | Recording        | SMF (Format 0)   |         |          |                  |
| Functions               | Metronome              |                  | Yes  |         |          |                  |
|                         | Tempo Range            |                  | 32-280   |         |          |                  |
|                         | Transpose              |                  | -12 to 0, 0 to +12   |         |          |                  |
|                         | Tuning                 |                  | Yes  |         |          |                  |
|                         | Scale Type             |                  | 7 types  |         |          |                  |
| Storage                 | Floppy Disk Drive      |                  | Optional   |         |          |                  |
|                         | Internal Memory        |                  | User songs 300KB, External songs 447KB   |         |          |                  |
|                         | External Device        |                  | Optional   |         |          |                  |
| Connectivity            | Headphones             |                  | x 2  |         |          |                  |
|                         | MIDI                   |                  | [IN][OUT][THRU]  |         |          |                  |
|                         | AUX IN                 |                  | [L/L+R][R]   |         |          |                  |
|                         | AUX OUT                |                  | [L/L+R][R]   |         |          |                  |
|                         | USB [TO DEVICE]        |                  | x 2<br>(selectable)  |         | x 1      |                  |
|                         | USB [TO HOST]          |                  | Yes  |         |          |                  |
|                         | [LAN]                  |                  | Yes  |         | —        | Yes              |
| Amplifiers/<br>Speakers | Amplifiers             |                  | 40W x 2  |         | 20W x 2  | 40W x 2          |
|                         | Speakers               |                  | (16cm + 5cm) x 2   |         | 16cm x 2 | (16cm + 5cm) x 2 |
|                         | Speaker Boxes          |                  | Yes  | —       |          | Yes              |
| Bundled Software        | CD-ROM                 |                  | Yes  |         |          |                  |
| Accessories             | Included Accessories   |                  | Owner's Manual, Accessory CD-ROM for Windows,<br>Accessory CD-ROM for Windows Installation Guide,<br>"50 greats for the Piano" Score Collection,<br>My Yamaha Product User Registration,<br>Bench (included or optional depending on locale) |         |          |                  |

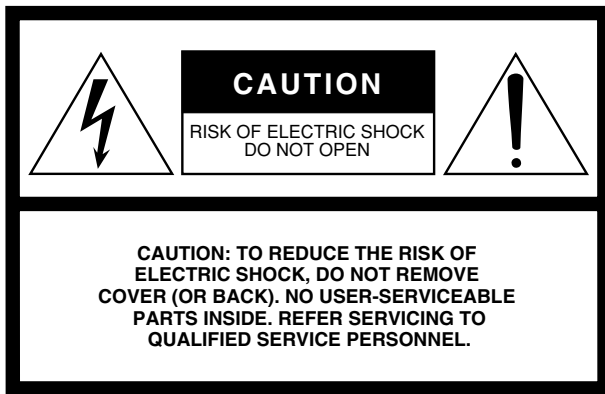
- \* Specifications and descriptions in this owner's manual are for information purposes only. Yamaha Corp. reserves the right to change or modify products or specifications at any time without prior notice. Since specifications, equipment or options may not be the same in every locale, please check with your Yamaha dealer.
- \* Die technischen Daten und Beschreibungen in dieser Bedienungsanleitung dienen nur der Information. Yamaha Corp. behält sich das Recht vor, Produkte oder deren technische Daten jederzeit ohne vorherige Ankündigung zu verändern oder zu modifizieren. Da die technischen Daten, das Gerät selbst bitte mit Ihrem Yamaha-Händler in Verbindung.
- \* Les caractéristiques techniques et les descriptions du mode d'emploi ne sont données que pour information. Yamaha Corp. se réserve le droit de changer ou modifier les produits et leurs caractéristiques techniques à tout moment sans aucun avis. Du fait que les caractéristiques techniques, les équipements et les options peuvent différer d'un pays à l'autre, adressez-vous au distributeur Yamaha le plus proche.
- \* Las especificaciones y descripciones de este manual del propietario tienen sólo el propósito de servir como información. Yamaha Corp. se reserva el derecho a efectuar cambios o modificaciones en los productos o especificaciones en cualquier momento sin previo aviso. Puesto que las especificaciones, equipos u opciones pueden no ser las mismas en todos los mercados, solicite información a su distribuidor Yamaha.

**MEMO**

**MEMO**

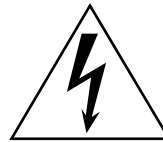
**MEMO**





The above warning is located on the bottom of the unit.

## Explanation of Graphical Symbols



The lightning flash with arrowhead symbol within an equilateral triangle is intended to alert the user to the presence of uninsulated “dangerous voltage” within the product’s enclosure that may be of sufficient magnitude to constitute a risk of electric shock to persons.



The exclamation point within an equilateral triangle is intended to alert the user to the presence of important operating and maintenance (servicing) instructions in the literature accompanying the product.

# IMPORTANT SAFETY INSTRUCTIONS

- 1 Read these instructions.
- 2 Keep these instructions.
- 3 Heed all warnings.
- 4 Follow all instructions.
- 5 Do not use this apparatus near water.
- 6 Clean only with dry cloth.
- 7 Do not block any ventilation openings. Install in accordance with the manufacturer’s instructions.
- 8 Do not install near any heat sources such as radiators, heat registers, stoves, or other apparatus (including amplifiers) that produce heat.
- 9 Do not defeat the safety purpose of the polarized or grounding-type plug. A polarized plug has two blades with one wider than the other. A grounding type plug has two blades and a third grounding prong. The wide blade or the third prong are provided for your safety. If the provided plug does not fit into your outlet, consult an electrician for replacement of the obsolete outlet.
- 10 Protect the power cord from being walked on or pinched particularly at plugs, convenience receptacles, and the point where they exit from the apparatus.
- 11 Only use attachments/accessories specified by the manufacturer.
- 12 Use only with the cart, stand, tripod, bracket, or table specified by the manufacturer, or sold with the apparatus. When a cart is used, use caution when moving the cart/apparatus combination to avoid injury from tip-over.
- 13 Unplug this apparatus during lightning storms or when unused for long periods of time.
- 14 Refer all servicing to qualified service personnel. Servicing is required when the apparatus has been damaged in any way, such as power-supply cord or plug is damaged, liquid has been spilled or objects have fallen into the apparatus, the apparatus has been exposed to rain or moisture, does not operate normally, or has been dropped.



### WARNING

TO REDUCE THE RISK OF FIRE OR ELECTRIC SHOCK, DO NOT EXPOSE THIS APPARATUS TO RAIN OR MOISTURE.

(UL60065\_03)

# FCC INFORMATION (U.S.A.)

## 1. **IMPORTANT NOTICE: DO NOT MODIFY THIS UNIT!**

This product, when installed as indicated in the instructions contained in this manual, meets FCC requirements. Modifications not expressly approved by Yamaha may void your authority, granted by the FCC, to use the product.

2. **IMPORTANT:** When connecting this product to accessories and/or another product use only high quality shielded cables. Cable/s supplied with this product **MUST** be used. Follow all installation instructions. Failure to follow instructions could void your FCC authorization to use this product in the USA.

3. **NOTE:** This product has been tested and found to comply with the requirements listed in FCC Regulations, Part 15 for Class "B" digital devices. Compliance with these requirements provides a reasonable level of assurance that your use of this product in a residential environment will not result in harmful interference with other electronic devices. This equipment generates/uses radio frequencies and, if not installed and used according to the instructions found in the users manual, may cause interference harmful to the operation of

other electronic devices. Compliance with FCC regulations does not guarantee that interference will not occur in all installations. If this product is found to be the source of interference, which can be determined by turning the unit "OFF" and "ON," please try to eliminate the problem by using one of the following measures:

Relocate either this product or the device that is being affected by the interference.

Utilize power outlets that are on different branch (circuit breaker or fuse) circuits or install AC line filter/s.

In the case of radio or TV interference, relocate/reorient the antenna. If the antenna lead-in is 300 ohm ribbon lead, change the lead-in to co-axial type cable.

If these corrective measures do not produce satisfactory results, please contact the local retailer authorized to distribute this type of product. If you can not locate the appropriate retailer, please contact Yamaha Corporation of America, Electronic Service Division, 6600 Orangethorpe Ave, Buena Park, CA90620

The above statements apply **ONLY** to those products distributed by Yamaha Corporation of America or its subsidiaries.

\* This applies only to products distributed by YAMAHA CORPORATION OF AMERICA.

(class B)

## **IMPORTANT NOTICE FOR THE UNITED KINGDOM**

### **Connecting the Plug and Cord**

**IMPORTANT.** The wires in this mains lead are coloured in accordance with the following code:

**BLUE : NEUTRAL**

**BROWN : LIVE**

As the colours of the wires in the mains lead of this apparatus may not correspond with the coloured markings identifying the terminals in your plug proceed as follows: The wire which is coloured **BLUE** must be connected to the terminal which is marked with the letter **N** or coloured **BLACK**.

The wire which is coloured **BROWN** must be connected to the terminal which is marked with the letter **L** or coloured **RED**.

Making sure that neither core is connected to the earth terminal of the three pin plug.

## **COMPLIANCE INFORMATION STATEMENT (DECLARATION OF CONFORMITY PROCEDURE)**

Responsible Party : Yamaha Corporation of America

Address : 6600 Orangethorpe Ave., Buena Park,  
Calif. 90620

Telephone : 714-522-9011

Type of Equipment : Digital Piano

Model Name : CLP-370/340/330, CLP-S308PE/  
S306PE

This device complies with Part 15 of the FCC Rules.

Operation is subject to the following conditions:

- 1) this device may not cause harmful interference, and
- 2) this device must accept any interference received including interference that may cause undesired operation.

See user manual instructions if interference to radio reception is suspected.

• This applies only to products distributed by  
Yamaha Music U.K. Ltd.

(2 wires)

\* This applies only to products distributed by  
YAMAHA CORPORATION OF AMERICA.

(FCC DoC)

For details of products, please contact your nearest Yamaha representative or the authorized distributor listed below.

Pour plus de détails sur les produits, veuillez-vous adresser à Yamaha ou au distributeur le plus proche de vous figurant dans la liste suivante.

Die Einzelheiten zu Produkten sind bei Ihrer unten aufgeführten Niederlassung und bei Yamaha Vertragshändlern in den jeweiligen Bestimmungsländern erhältlich.

Para detalles sobre productos, contacte su tienda Yamaha más cercana o el distribuidor autorizado que se lista debajo.

## NORTH AMERICA

### CANADA

**Yamaha Canada Music Ltd.**  
135 Milner Avenue, Scarborough, Ontario,  
M1S 3R1, Canada  
Tel: 416-298-1311

### U.S.A.

**Yamaha Corporation of America**  
6600 Orangethorpe Ave., Buena Park, Calif. 90620,  
U.S.A.  
Tel: 714-522-9011

## CENTRAL & SOUTH AMERICA

### MEXICO

**Yamaha de México S.A. de C.V.**  
Calz. Javier Rojo Gómez #1149,  
Col. Guadalupe del Moral  
C.P. 09300, México, D.F., México  
Tel: 55-5804-0600

### BRAZIL

**Yamaha Musical do Brasil Ltda.**  
Rua Joaquim Floriano, 913 - 4º andar, Itaim Bibi,  
CEP 04534-013 Sao Paulo, SP. BRAZIL  
Tel: 011-3704-1377

### ARGENTINA

**Yamaha Music Latin America, S.A.**  
**Sucursal de Argentina**  
Olga Cossetini 1553, Piso 4 Norte  
Madero Este-C1107CEK  
Buenos Aires, Argentina  
Tel: 011-4119-7000

### PANAMA AND OTHER LATIN AMERICAN COUNTRIES/ CARIBBEAN COUNTRIES

**Yamaha Music Latin America, S.A.**  
Torre Banco General, Piso 7, Urbanización Marbella,  
Calle 47 y Aquilino de la Guardia,  
Ciudad de Panamá, Panamá  
Tel: +507-269-5311

## EUROPE

### THE UNITED KINGDOM

**Yamaha Music U.K. Ltd.**  
Sherbourne Drive, Tilbrook, Milton Keynes,  
MK7 8BL, England  
Tel: 01908-366700

### IRELAND

**Danfay Ltd.**  
61D, Sallynoggin Road, Dun Laoghaire, Co. Dublin  
Tel: 01-2859177

### GERMANY

**Yamaha Music Central Europe GmbH**  
Siemensstraße 22-34, 25462 Rellingen, Germany  
Tel: 04101-3030

### SWITZERLAND/LIECHTENSTEIN

**Yamaha Music Central Europe GmbH,**  
**Branch Switzerland**  
Seefeldstrasse 94, 8008 Zürich, Switzerland  
Tel: 01-383 3990

### AUSTRIA

**Yamaha Music Central Europe GmbH,**  
**Branch Austria**  
Schleiergasse 20, A-1100 Wien, Austria  
Tel: 01-60203900

### CZECH REPUBLIC/SLOVAKIA/ HUNGARY/SLOVENIA

**Yamaha Music Central Europe GmbH,**  
**Branch Austria, CEE Department**  
Schleiergasse 20, A-1100 Wien, Austria  
Tel: 01-602039025

### POLAND

**Yamaha Music Central Europe GmbH**  
**Sp.z. o.o. Oddział w Polsce**  
ul. 17 Stycznia 56, PL-02-146 Warszawa, Poland  
Tel: 022-868-07-57

### THE NETHERLANDS/ BELGIUM/LUXEMBOURG

**Yamaha Music Central Europe GmbH,**  
**Branch Benelux**  
Clarissenhof 5-b, 4133 AB Vianen, The Netherlands  
Tel: 0347-358 040

### FRANCE

**Yamaha Musique France**  
BP 70-77312 Marne-la-Vallée Cedex 2, France  
Tel: 01-64-61-4000

### ITALY

**Yamaha Musica Italia S.P.A.**  
Viale Italia 88, 20020 Lainate (Milano), Italy  
Tel: 02-935-771

### SPAIN/PORTUGAL

**Yamaha Música Ibérica, S.A.**  
Ctra. de la Coruna km. 17, 200, 28230  
Las Rozas (Madrid), Spain  
Tel: 91-639-8888

### GREECE

**Philippos Nakas S.A. The Music House**  
147 Skiathou Street, 112-55 Athens, Greece  
Tel: 01-228 2160

### SWEDEN

**Yamaha Scandinavia AB**  
J. A. Wettergrens Gata 1, Box 30053  
S-400 43 Göteborg, Sweden  
Tel: 031 89 34 00

### DENMARK

**YS Copenhagen Liaison Office**  
Generatorvej 6A, DK-2730 Herlev, Denmark  
Tel: 44 92 49 00

### FINLAND

**F-Musiikki Oy**  
Kluuvikatu 6, P.O. Box 260,  
SF-00101 Helsinki, Finland  
Tel: 09 618511

### NORWAY

**Norsk filial av Yamaha Scandinavia AB**  
Grini Næringspark 1, N-1345 Østerås, Norway  
Tel: 67 16 77 70

### ICELAND

**Skifan HF**  
Skeifan 17 P.O. Box 8120, IS-128 Reykjavik, Iceland  
Tel: 525 5000

### RUSSIA

**Yamaha Music (Russia)**  
Office 4015, entrance 2, 21/5 Kuznetskii  
Most street, Moscow, 107996, Russia  
Tel: 495 626 0660

### OTHER EUROPEAN COUNTRIES

**Yamaha Music Central Europe GmbH**  
Siemensstraße 22-34, 25462 Rellingen, Germany  
Tel: +49-4101-3030

## AFRICA

**Yamaha Corporation,**  
**Asia-Pacific Music Marketing Group**  
Nakazawa-cho 10-1, Naka-ku, Hamamatsu,  
Japan 430-8650  
Tel: +81-53-460-2312

## MIDDLE EAST

### TURKEY/CYPRUS

**Yamaha Music Central Europe GmbH**  
Siemensstraße 22-34, 25462 Rellingen, Germany  
Tel: 04101-3030

### OTHER COUNTRIES

**Yamaha Music Gulf FZE**  
LOB 16-513, P.O.Box 17328, Jubel Ali,  
Dubai, United Arab Emirates  
Tel: +971-4-881-5868

## ASIA

### THE PEOPLE'S REPUBLIC OF CHINA

**Yamaha Music & Electronics (China) Co.,Ltd.**  
25/F., United Plaza, 1468 Nanjing Road (West),  
Jingan, Shanghai, China  
Tel: 021-6247-2211

### HONG KONG

**Tom Lee Music Co., Ltd.**  
11/F., Silvercord Tower 1, 30 Canton Road,  
Tsimshatsui, Kowloon, Hong Kong  
Tel: 2737-7688

### INDONESIA

**PT. Yamaha Music Indonesia (Distributor)**  
**PT. Nusantik**  
Gedung Yamaha Music Center, Jalan Jend. Gatot  
Subroto Kav. 4, Jakarta 12930, Indonesia  
Tel: 21-520-2577

### KOREA

**Yamaha Music Korea Ltd.**  
8F, 9F, Dongsung Bldg. 158-9 Samsung-Dong,  
Kangnam-Gu, Seoul, Korea  
Tel: 080-004-0022

### MALAYSIA

**Yamaha Music Malaysia, Sdn., Bhd.**  
Lot 8, Jalan Perbandaran, 47301 Kelana Jaya,  
Petaling Jaya, Selangor, Malaysia  
Tel: 3-78030900

### PHILIPPINES

**Yupangco Music Corporation**  
339 Gil J. Puyat Avenue, P.O. Box 885 MCPO,  
Makati, Metro Manila, Philippines  
Tel: 819-7551

### SINGAPORE

**Yamaha Music Asia Pte., Ltd.**  
#03-11 A-Z Building  
140 Paya Lebar Road, Singapore 409015  
Tel: 747-4374

### TAIWAN

**Yamaha KHS Music Co., Ltd.**  
3F, #6, Sec.2, Nan Jing E. Rd. Taipei.  
Taiwan 104, R.O.C.  
Tel: 02-2511-8688

### THAILAND

**Siam Music Yamaha Co., Ltd.**  
4, 6, 15 and 16<sup>th</sup> floor, Siam Motors Building,  
891/1 Rama 1 Road, Wangmai,  
Pathumwan, Bangkok 10330, Thailand  
Tel: 02-215-2626

### OTHER ASIAN COUNTRIES

**Yamaha Corporation,**  
**Asia-Pacific Music Marketing Group**  
Nakazawa-cho 10-1, Naka-ku, Hamamatsu,  
Japan 430-8650  
Tel: +81-53-460-2317

## OCEANIA

### AUSTRALIA

**Yamaha Music Australia Pty. Ltd.**  
Level 1, 99 Queensbridge Street, Southbank,  
Victoria 3006, Australia  
Tel: 3-9693-5111

### NEW ZEALAND

**Music Works LTD**  
P.O.BOX 6246 Wellesley, Auckland 4680,  
New Zealand  
Tel: 9-634-0099

### COUNTRIES AND TRUST TERRITORIES IN PACIFIC OCEAN

**Yamaha Corporation,**  
**Asia-Pacific Music Marketing Group**  
Nakazawa-cho 10-1, Naka-ku, Hamamatsu,  
Japan 430-8650  
Tel: +81-53-460-2312

**HEAD OFFICE** Yamaha Corporation, Pro Audio & Digital Musical Instrument Division  
Nakazawa-cho 10-1, Naka-ku, Hamamatsu, Japan 430-8650  
Tel: +81-53-460-3273



**Yamaha Home Keyboards Home Page**  
<http://music.yamaha.com/homekeyboard/>

**Yamaha Manual Library**  
<http://www.yamaha.co.jp/manual/>

U.R.G., Pro Audio & Digital Musical Instrument Division, Yamaha Corporation  
© 2008 Yamaha Corporation  
WN75950 109MWAP\*. \*\*B1 Printed in China